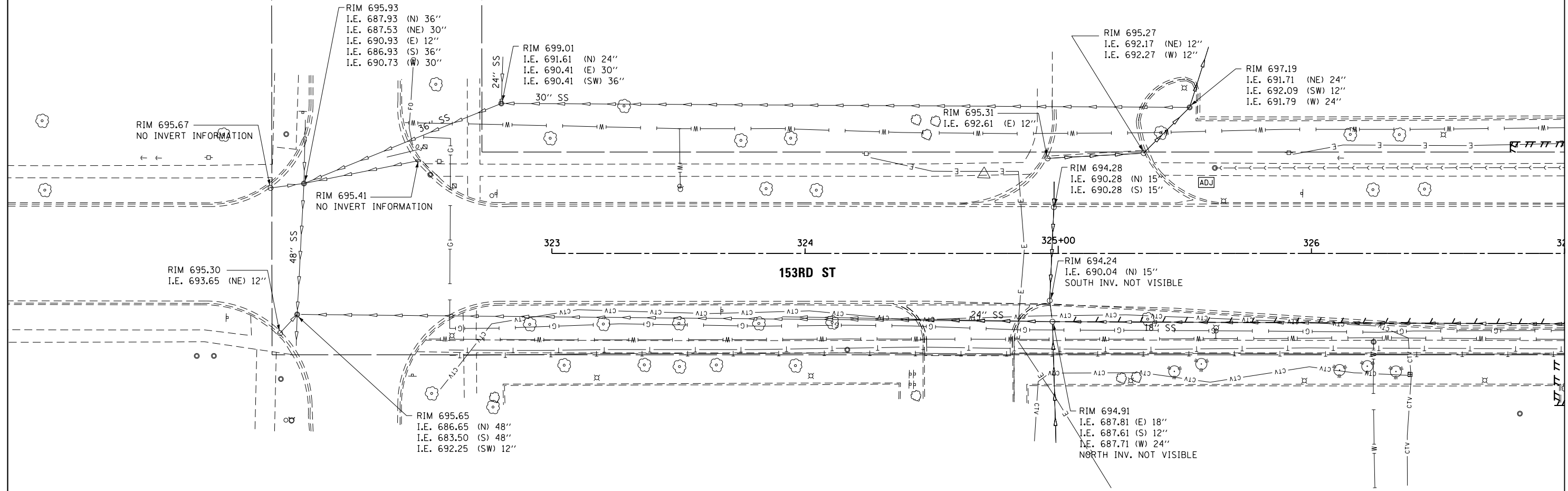


STORM SEWER REMOVAL 18"  
 STA. 324+97.7 TO 327+00 - 202' (TBF= 0.0 CU YD)

RAVINIA AVE

153RD ST



MATCH LINE STA. 327+00.00  
 SEE DRAWING DU-19

NOTES:  
 1. SEE DRAWING DN-01 FOR DRAINAGE LEGEND AND NOTES.  
 2. SEE DRAWINGS DS-01 THROUGH DS-09 FOR STRUCTURE AND PIPE INFORMATION.

URS  
 100 S. WACKER DR.  
 SUITE 600  
 CHICAGO, IL 60606  
 TEL (312) 939-1000  
 FAX (312) 939-4998

FILE NAME = D160M61-SHT-DRAINEX18.dgn	USER NAME = Anthony.Plutz	DESIGNED - EJD	REVISED -
		DRAWN - EJD	REVISED -
		CHECKED - JWM	REVISED -
SHT.PLAN	PLOT DATE = 3/14/2013	DATE - 03/13/2013	REVISED -

STATE OF ILLINOIS  
 DEPARTMENT OF TRANSPORTATION

EXISTING DRAINAGE PLAN - 153RD STREET

SCALE: 1"=20' SHEET 1 OF 2 SHEETS STA. END TO STA. 327+00.00

F.A.P. RTE.	SECTION	COUNTY	TOTAL SHEETS	SHEET NO.
330	103R-4	COOK	877	176
<b>DU-18</b>			CONTRACT NO. 60M61	
ILLINOIS FED. AID PROJECT				