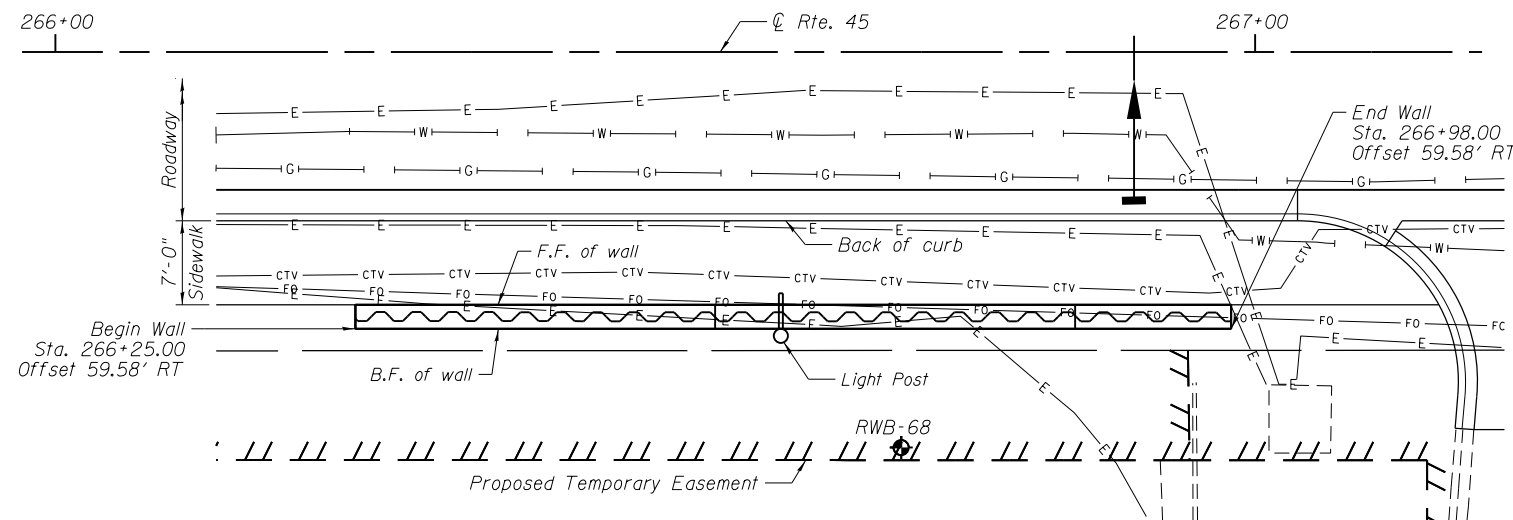
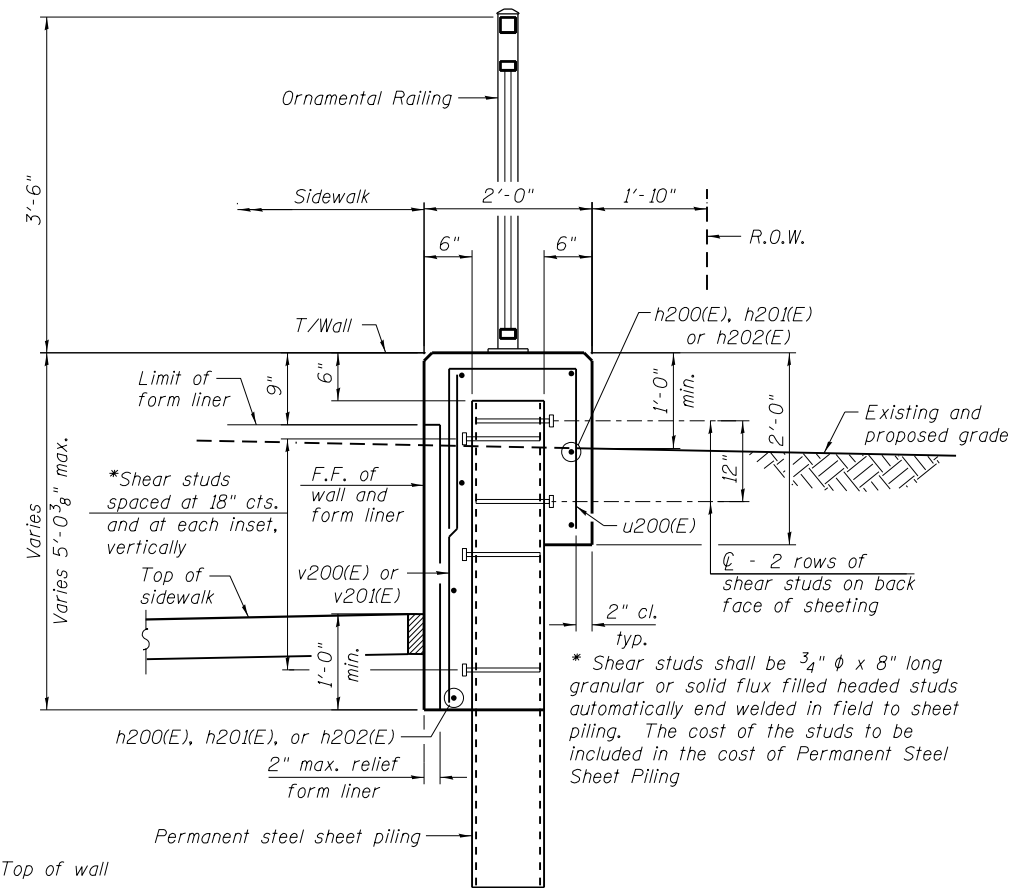


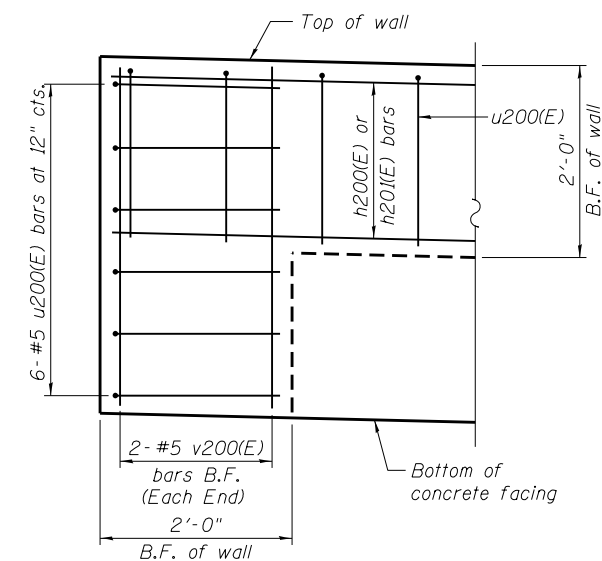
**ELEVATION**  
(Looking West)



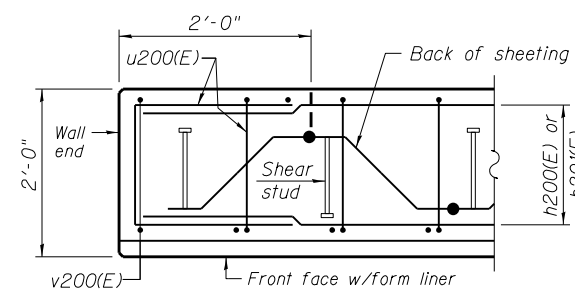
**PLAN**



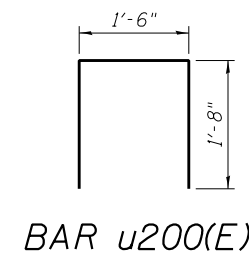
**TYPICAL SECTION THROUGH WALL**



**END CAP DETAIL 1**  
(v200(E) bars in F.F. not shown for clarity)



**PLAN AT END OF WALL**



**BAR u200(E)**

**BILL OF MATERIAL**

Bar	No.	Size	Length	Shape
h200(E)	14	#5	32'-11"	—
h201(E)	7	#5	15'-6"	—
u200(E)	85	#5	4'-7"	□
v200(E)	81	#5	3'-4"	—
Structure Excavation			Cu. Yd.	42
Concrete Structures			Cu. Yd.	26.6
Form Liner Textured Surface			Sq. Ft.	304
Reinforcement Bars, Epoxy Coated			Pound	1290
Permanent Sheet Piling			Sq. Ft.	1175
Ornamental Railing			Foot	73

Bars indicated thus 3x2-#5 etc. indicates 3 lines of bars with 2 lengths per line.

**BAR LAPS**

Basic Lap  
#5 bars - 2'-7"  
Top Bar Lap  
#5 bars - 2'-11"

**LEGEND:**

- ① - Panel No.
- ⊕ - Soil Boring
- F.F. - Front Face
- B.F. - Back Face
- E.F. - Each Face

**BAR CUTTING DIAGRAM**

Order v201(E) and h202(E) bars full length. Cut as shown and use remainder of bars in opposite face.

Bar	A	B	C	D	N
v201(E)	3'-0"	4'-7"	4'-7"	3'-0"	7
h202(E)	6'-8"	10'-8"	10'-8"	6'-8"	4

**NOTES:**

- Wall stations, offsets and dimensions are measured at front face of wall.
- All exposed corners shall have a 1" chamfer.
- For General Notes, Wall Key Plan and US 45 Profile, see Sheet 1.
- For Typical Wall Details, Ornamental Railing, and Lighting Details see Sheet 2.
- The details for the concrete cap, reinforcement and required number of shear stud connectors are based on Section AZ 18 sheet piling. If the Contractor chooses to use any other section, then the Contractor shall submit revised concrete cap and reinforcement configuration for approval by the Engineer. Such changes shall not be cause for additional compensation.

FILE NAME = D:\60M61-SHT-Wall.20-1.dgn	USER NAME = Anthony.Plutz	DESIGNED -	REVISED -
		CHECKED -	REVISED -
		DRAWN -	REVISED -
		CHECKED -	REVISED -

F.A.P. RTE.	SECTION	COUNTY	TOTAL SHEETS	SHEET NO.
330	103R-4	COOK	877	495
CONTRACT NO. 60M61			ILLINOIS FED. AID PROJECT	