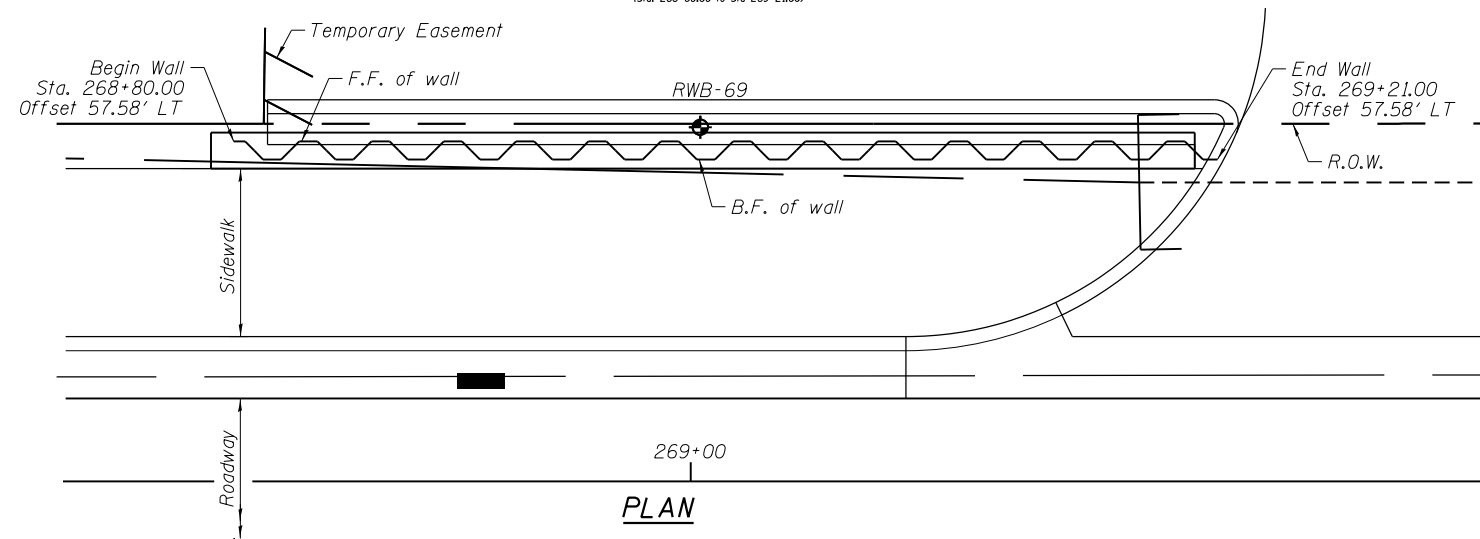


**ELEVATION**  
Sta. 268+80.00 to Sta. 269+21.00



**PLAN**

**NOTES:**

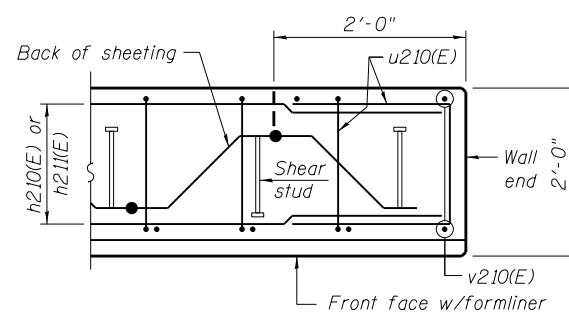
Wall stations, offsets and dimensions are measured at front face of wall.  
 All exposed corners shall have a 1" chamfer.  
 For General Notes, Wall Key Plan and US 45 Profile, see Sheet 1.  
 For Typical Wall Details and Ornamental Railing see Sheet 2.  
 The details for the concrete cap, reinforcement and required number of shear stud connectors are based on Section AZ 18 sheet piling. If the Contractor chooses to use any other section, then the Contractor shall submit revised concrete cap and reinforcement configuration for approval by the Engineer. Such changes shall not be cause for additional compensation.

**LEGEND**

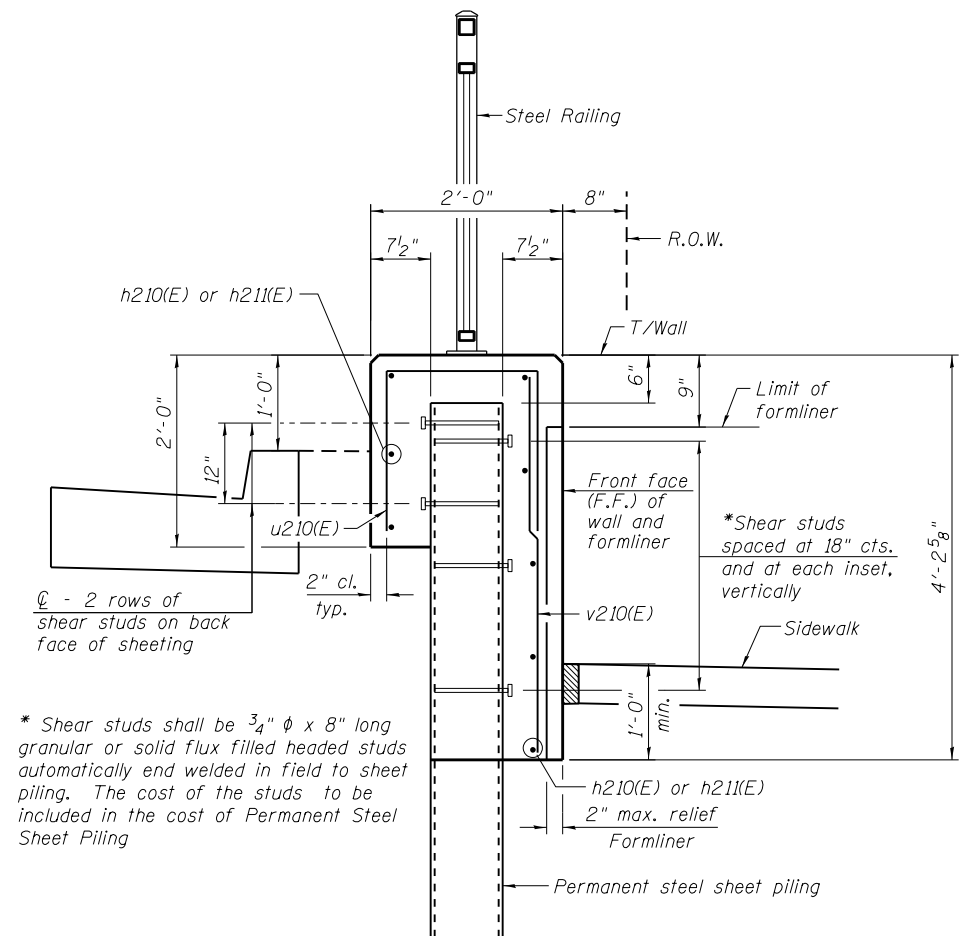
- = Panel No.
- ⊕ = Soil Boring
- F.F. = Front Face
- B.F. = Back Face
- E.F. = Each Face

**BAR LAPS**

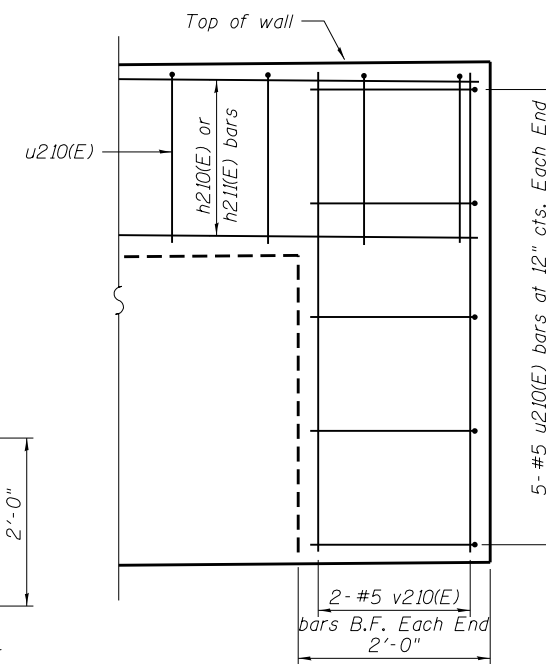
- Basic Lap  
#5 bars - 2'-7"
- Top Bar Lap  
#5 bars - 2'-11"



**PLAN AT END OF WALL**



**TYPICAL SECTION THROUGH WALL**



**TYPICAL END CAP DETAIL**

(v210(E) bars in F.F. not shown for clarity)

**BAR u210(E)**

**BILL OF MATERIAL**

Bar	No.	Size	Length	Shape
h210(E)	8	#5	32'-11"	—
h211(E)	8	#5	10'-8"	—
u210(E)	53	#5	4'-10"	□
v210(E)	47	#5	3'-10"	—
Structure Excavation			Cu. Yd.	9
Concrete Structures			Cu. Yd.	12.9
Form Liner Textured Surface			Sq. Ft.	137
Reinforcement Bars, Epoxy Coated			Pound	820
Permanent Sheet Piling			Sq. Ft.	607
Ornamental Railing			Foot	41