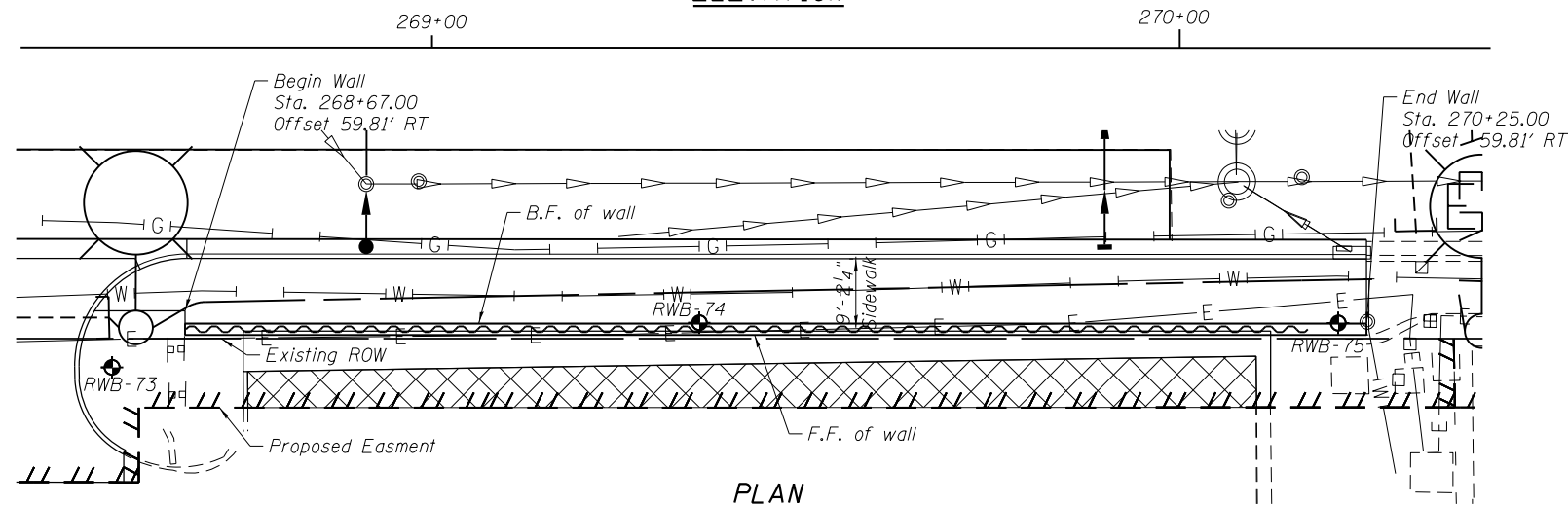
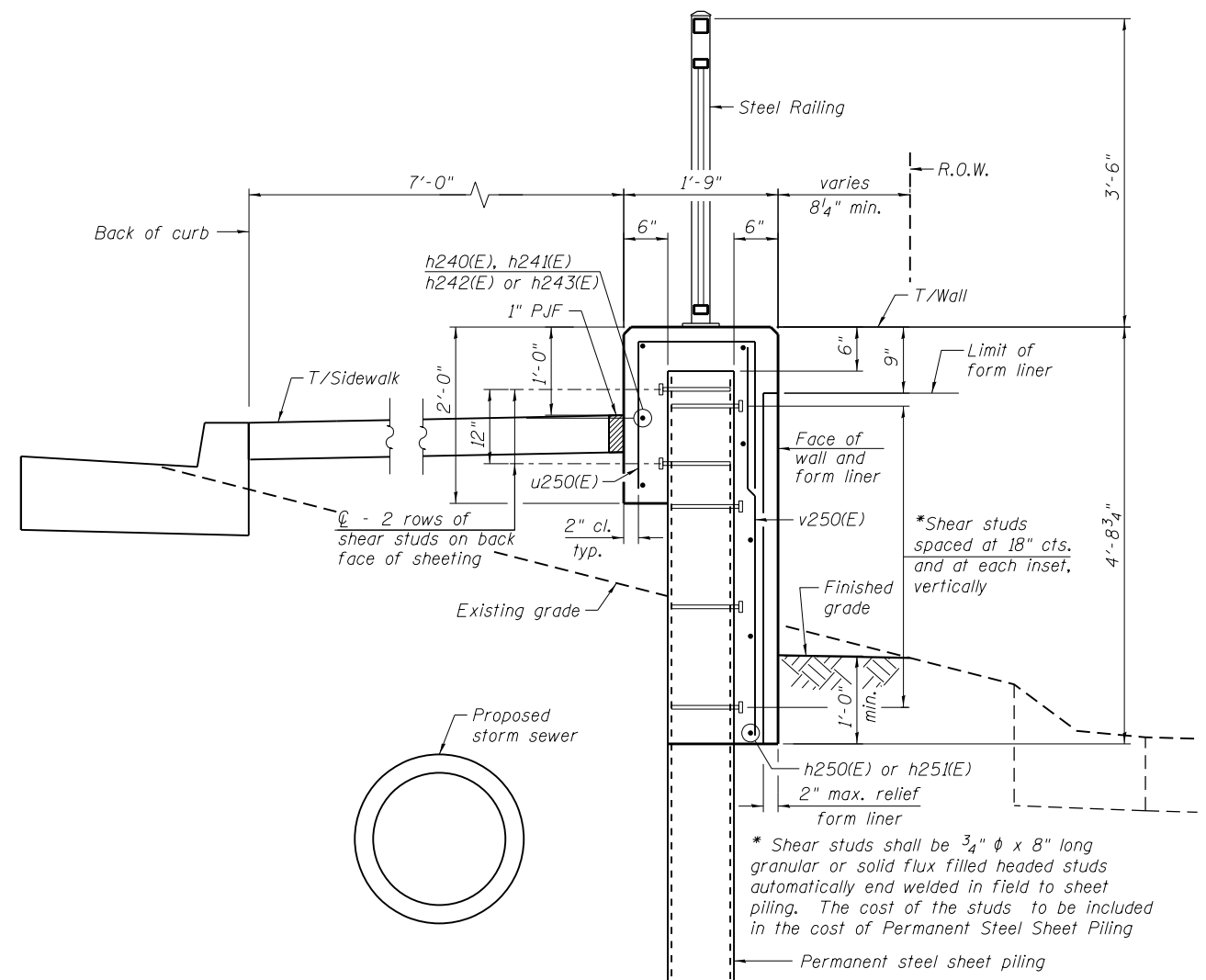


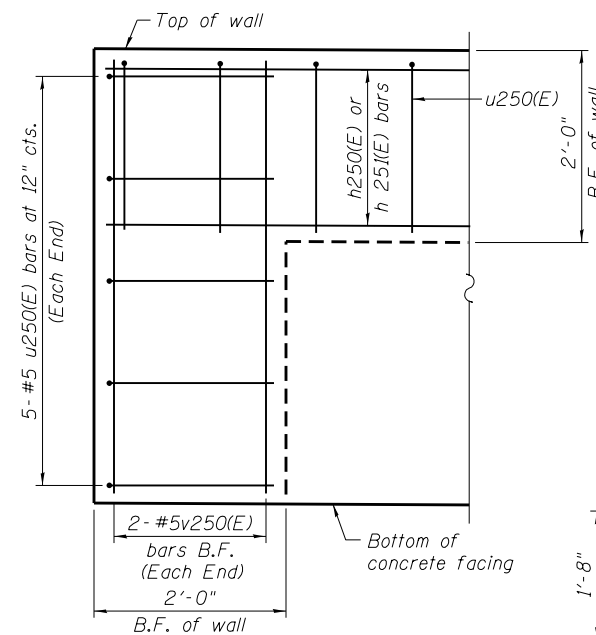
ELEVATION



PLAN



TYPICAL SECTION THROUGH WALL



TYPICAL END CAP DETAIL
(v(E) bars in F.F. not shown for clarity)

BAR u250(E)

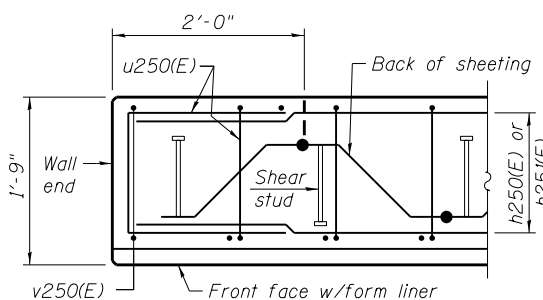
BILL OF MATERIAL

Bar	No.	Size	Length	Shape
h240(E)				
h241(E)				
h242(E)	h240(E)	24	#5	32'-11"
h243(E)	h241(E)	16	#5	29'-8"
u240(E)	u240(E)	163	#5	4'-7"
v240(E)	v240(E)	157	#5	4'-5"
Structure Excavation			Cu. Yd.	38
Concrete Structures			Cu. Yd.	46.1
Form Liner Textured Surface			Sq. Ft.	598
Reinforcement Bars, Epoxy Coated			Pound	2,830
Permanent Sheet Piling			Sq. Ft.	2,617
Ornamental Railing			Foot	158

Bars indicated thus 3x2-#5 etc. indicates 3 lines of bars with 2 lengths per line.

NOTES:

- Wall stations, offsets and dimensions are measured at front face of wall.
- All exposed corners shall have a 1" chamfer.
- For General Notes, Wall Key Plan and US 45 Profile, see Sheet 1.
- For Typical Wall Details and Ornamental Railing see Sheet 2.
- The details for the concrete cap, reinforcement and required number of shear stud connectors are based on Section AZ 18 sheet piling. If the Contractor chooses to use any other section, then the Contractor shall submit revised concrete cap and reinforcement configuration for approval by the Engineer. Such changes shall not be cause for additional compensation.



PLAN AT END OF WALL

LEGEND

- ① - Panel No.
- ⊕ - Soil Boring
- F.F. - Front Face
- B.F. - Back Face
- E.F. - Each Face

BAR LAPS

- Basic Lap
- #5 bars - 2'-7"
- Top Bar Lap
- #5 bars - 2'-11"

FILE NAME =	USER NAME = Anthony.Plutz	DESIGNED -	REVISED -
D160M61-SHT-Wall.24-1.dgn		CHECKED -	REVISED -
		DRAWN -	REVISED -
		CHECKED -	REVISED -

F.A.P. RTE.	SECTION	COUNTY	TOTAL SHEETS	SHEET NO.
330	103R-4	COOK	877	499
CONTRACT NO. 60M61			ILLINOIS FED. AID PROJECT	