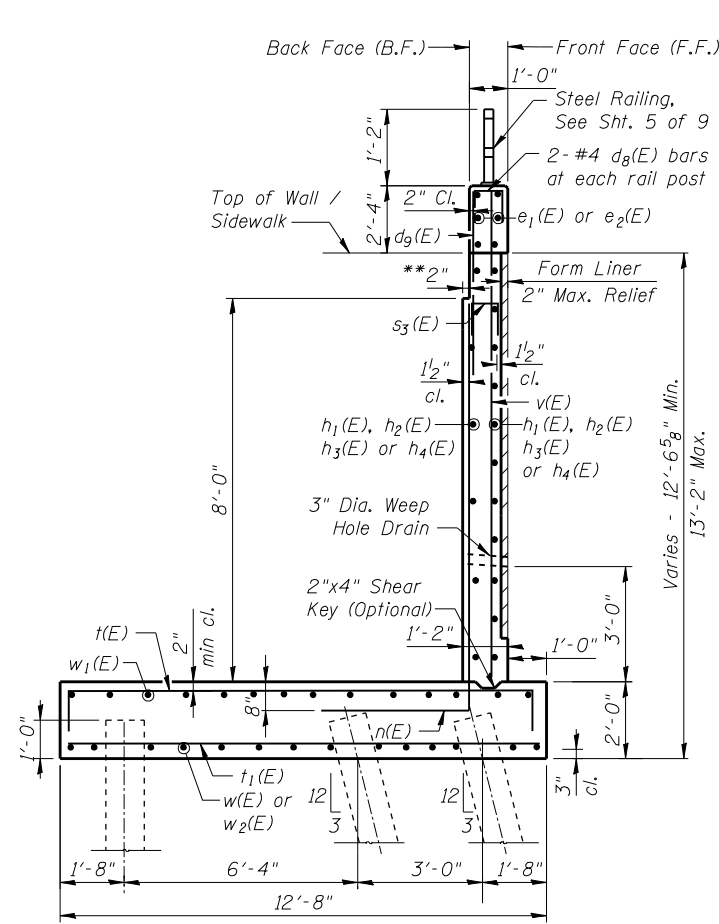


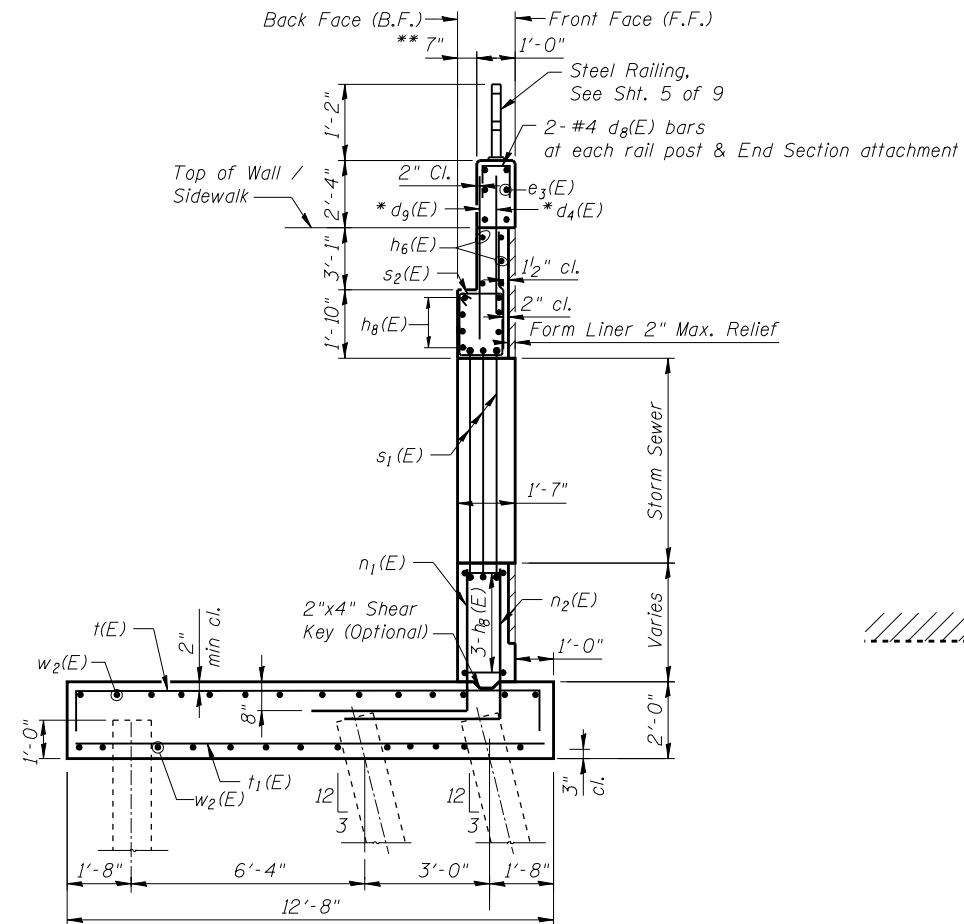
BILL OF MATERIAL

Bar	No.	Size	Length	Shape
d ₂ (E)	3	#6	6'-3"	┌
d ₃ (E)	11	#6	8'-11"	┌
d ₄ (E)	5	#4	7'-0"	┌
d ₆ (E)	5	#4	6'-6"	┌
d ₇ (E)	6	#6	11'-2"	┌
d ₈ (E)	46	#4	2'-2"	┌
d ₉ (E)	214	#6	10'-0"	┌
e ₁ (E)	20	#4	26'-3"	┌
e ₂ (E)	10	#4	29'-9"	┌
e ₃ (E)	10	#4	38'-11"	┌
e ₄ (E)	10	#4	26'-8"	┌
e ₅ (E)	10	#4	23'-3"	┌
e ₆ (E)	4	#4	3'-8"	┌
h ₁ (E)	40	#4	26'-3"	┌
h ₂ (E)	20	#4	29'-9"	┌
h ₃ (E)	14	#4	15'-9"	┌
h ₄ (E)	14	#4	18'-0"	┌
h ₅ (E)	2	#5	10'-8"	┌
h ₆ (E)	7	#4	38'-11"	┌
h ₇ (E)	12	#4	9'-3"	┌
h ₈ (E)	14	#5	15'-0"	┌
h ₉ (E)	20	#4	26'-8"	┌
h ₁₀ (E)	20	#4	23'-3"	┌
n(E)	217	#8	13'-0"	L
n ₁ (E)	5	#6	5'-8"	L
n ₂ (E)	5	#4	4'-11"	L
s(E)	10	#4	7'-3"	┌
s ₁ (E)	3	#4	19'-9"	┌
s ₂ (E)	10	#4	6'-1"	┌
s ₃ (E)	207	#6	4'-4"	┌
s ₅ (E)	15	#6	4'-6"	┌
t(E)	233	#7	15'-4"	┌
t ₁ (E)	235	#5	12'-4"	┌
t ₂ (E)	22	#5	1'-9"	┌
t ₃ (E)	22	#5	5'-1"	┌
v(E)	48	#4	10'-7"	┌
w(E)	56	#6	46'-10"	┌
w ₁ (E)	70	#6	38'-4"	┌
Structure Excavation		Cu. Yd.	1,180	
Concrete Structures		Cu. Yd.	250	
Reinforcement Bars, Epoxy Coated		Pound	35,290	
Furnishing Metal Shell Piles 12" x 0.250"		Foot	3,510	
Driving Piles		Foot	3,510	
Test Pile Metal Shells		Each	1	



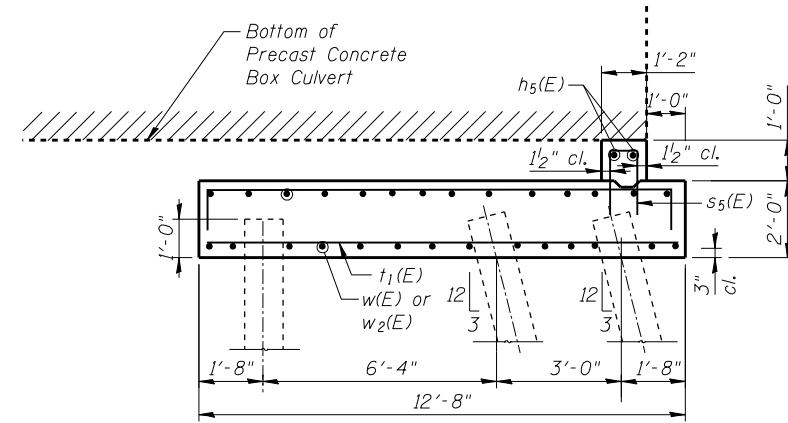
SECTION A-A

** Slope to drain



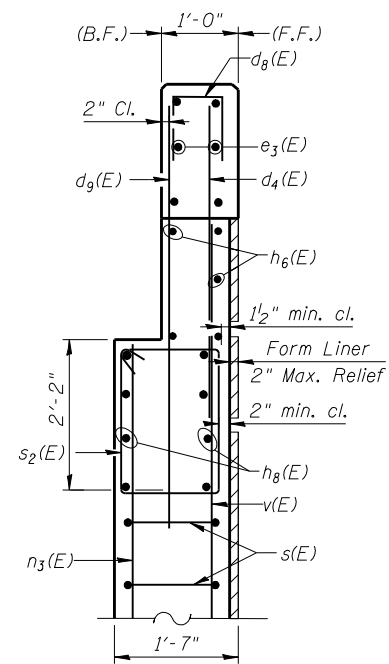
SECTION B-B

Thru Storm Sewer Section
* Cut to fit Hole



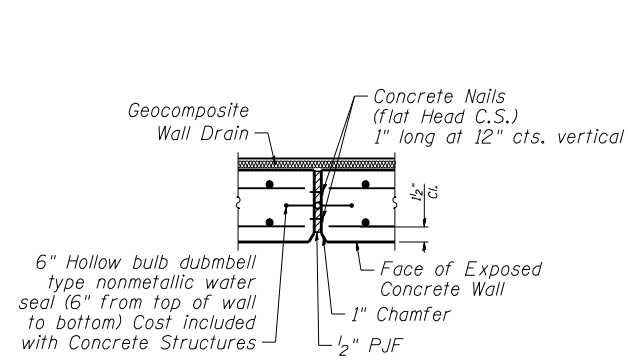
SECTION F-F

(Thru Box Culvert Section)

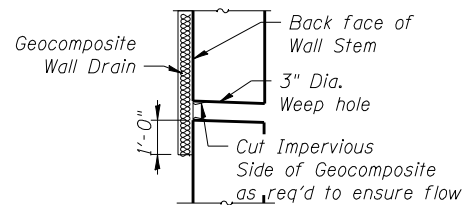


SECTION H-H

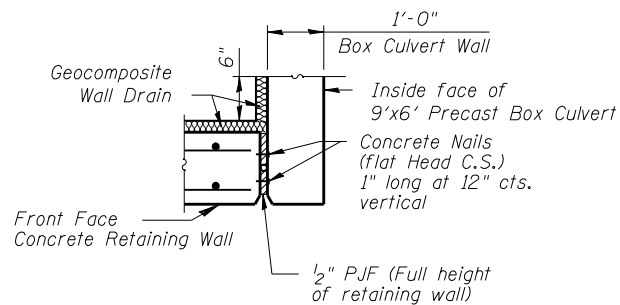
Section Thru Thickened Section of Wall



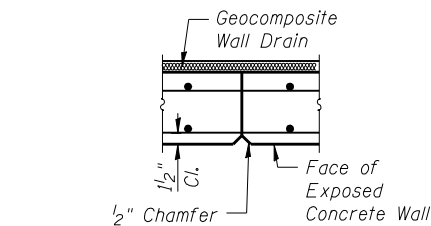
EXPANSION JOINT



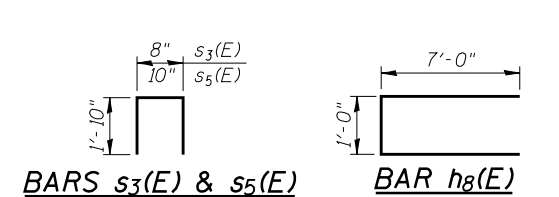
WEEP HOLE DRAIN DETAIL



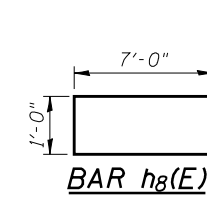
EXPANSION JOINT AT RETAINING WALL & CULVERT



CONSTRUCTION JOINT



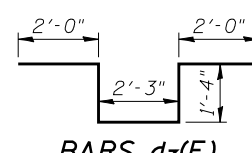
BARS s₃(E) & s₅(E)



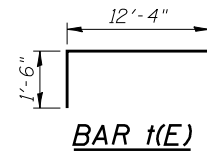
BAR h₈(E)



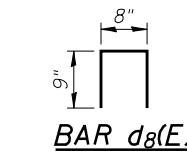
BAR d₂(E)



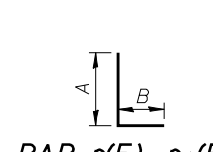
BARS d₃(E)



BAR t(E)

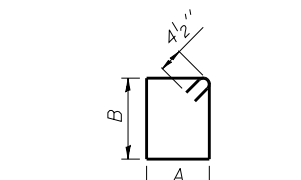


BAR d₈(E)



BAR n(E), n₁(E) & n₂(E)

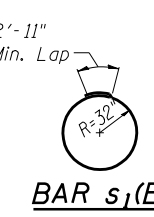
Bar	A	B
n(E)	8'-6"	4'-6"
n ₁ (E)	3'-5"	2'-3"
n ₂ (E)	3'-5"	1'-6"



Bar	A	B
s(E)	2'-2"	1'-1"
s ₂ (E)	1'-1"	1'-7"

MINIMUM BAR LAPS

#4	2'-11"
#5	3'-8"
#6	4'-5"



BAR s₁(E)