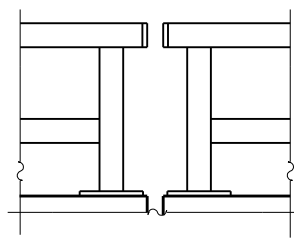
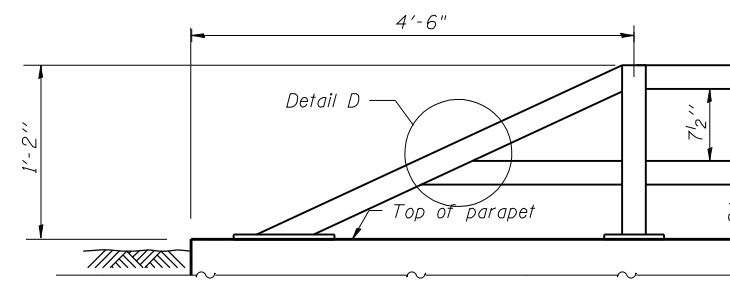


PARAPET RAILING
ELEVATION
(Inside Face of Rail)

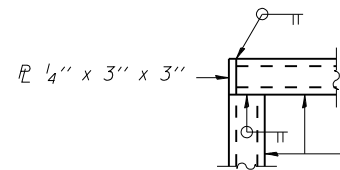


PARAPET RAILING
ELEVATION AT EXPANSION JOINT

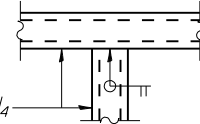


PARAPET RAILING
AT END SECTION

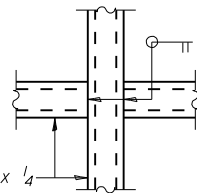
Note:
All post, railing, splices, anchor devices, and bent plates shall be painted using the inorganic zinc-rich/waterborne acrylic paint system as described in the special provision "Cleaning and Painting New Metal Structures." Color of painted railing to be black.



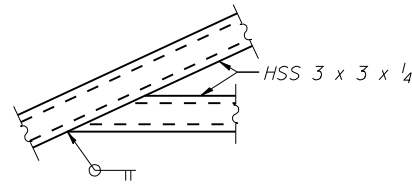
DETAIL A



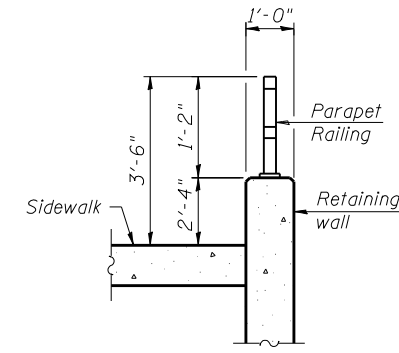
DETAIL B



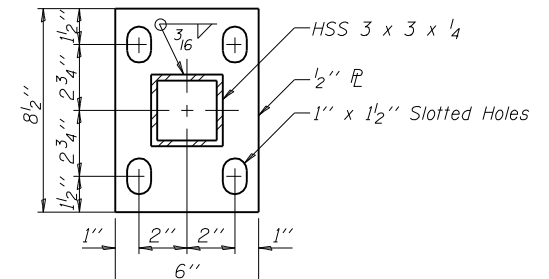
DETAIL C



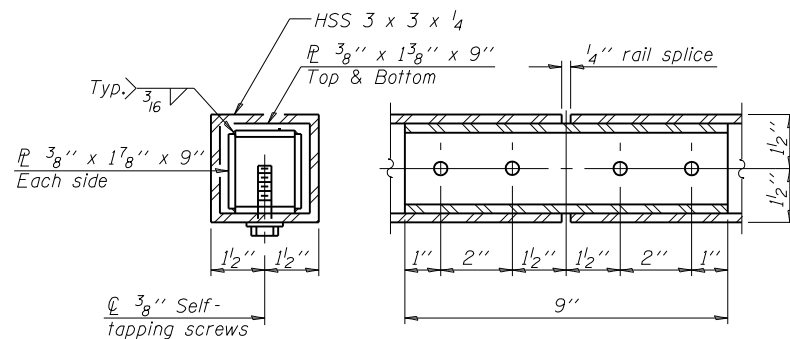
DETAIL D



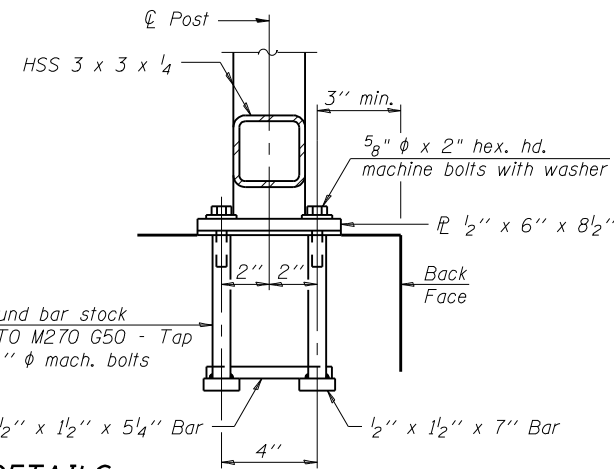
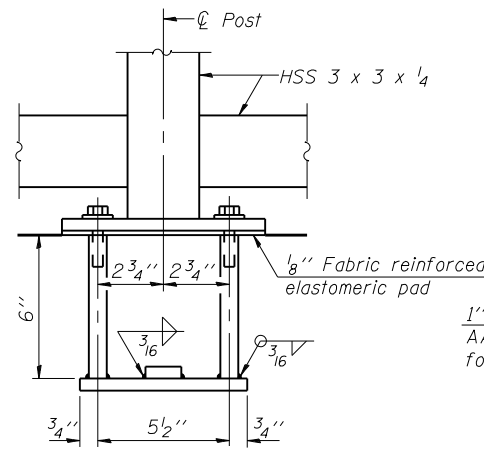
SECTION THRU RAILING



BASE PLATE



RAIL SPLICE



ANCHOR BOLT DETAILS

In lieu of the cast-in-place anchor device shown, the Contractor has the option of drilling and setting 5/8" ϕ anchor rods according to Article 509.06 of the Standard Specifications. Embedment shall be according to the manufacturer's specifications.

BILL OF MATERIAL

Item	Unit	Quantity
Parapet Railing	Foot	167.0