

Benchmark: TBM "G" #569; Southeast bottom of light pole #93-15 +/- 300' north of 153rd st. on the west side of LaGrange rd. El. 699.946

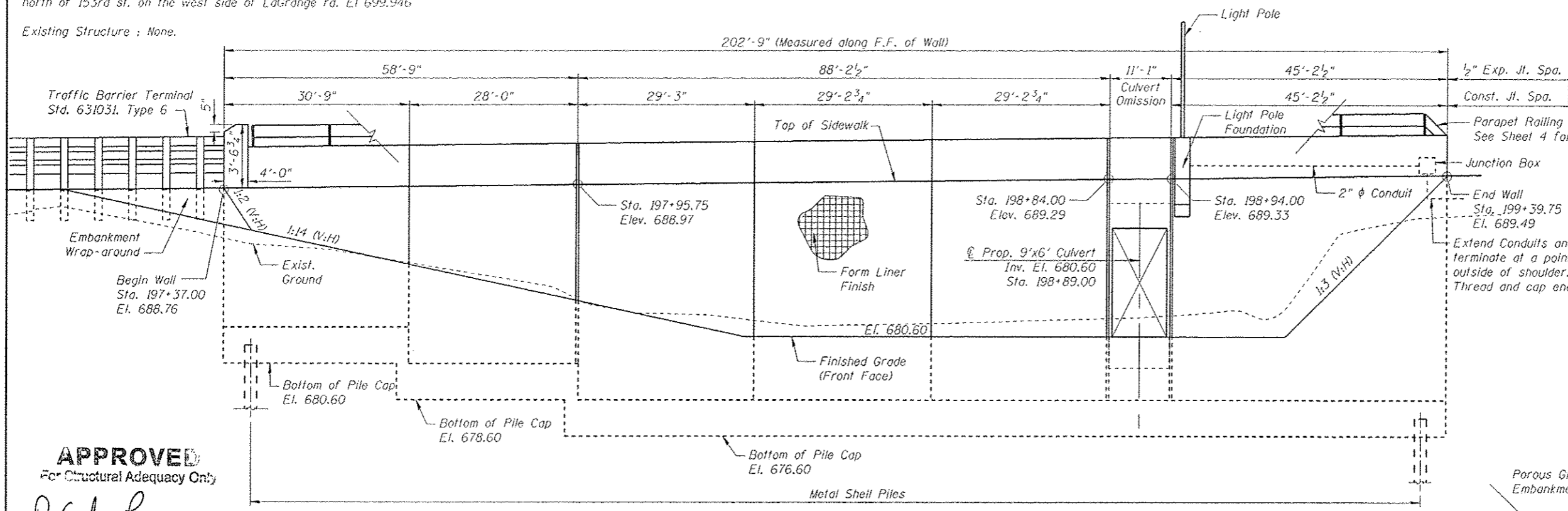
Existing Structure : None.

INDEX OF SHEETS

Sheet No.	Title
1.	General Plan and Elevation
2.	Footling Layout
3.	Details
4.	Details
5.	Parapet Railing
6.	Metal Shell Pile Details
7.	Boring Logs 1 of 3
8.	Boring Logs 2 of 3
9.	Boring Logs 3 of 3

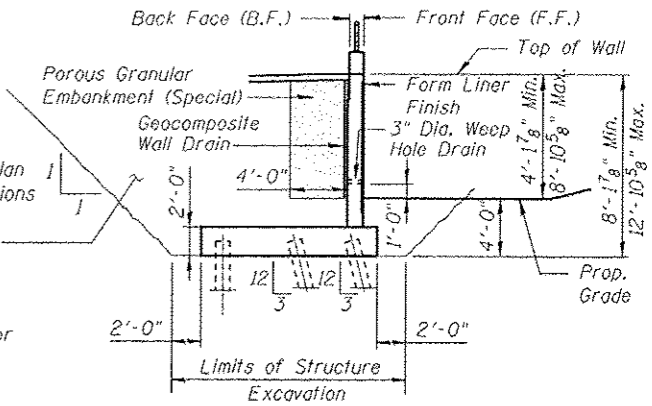
TOTAL BILL OF MATERIAL

ITEM	UNIT	TOTAL
Structure Excavation	Cu. Yd	973
Concrete Structures	Cu. Yd	281.0
Form Liner Textured Surface	Sq. Ft.	1,870
Protective Coat	Sq. Yd.	51.0
Reinforcement Bars, Epoxy Coated	Pound	36,840
Parapet Railing	Foot	196.0
Furnishing Metal Shell Piles 12" x 0.250"	Foot	6,208
Driving Piles	Foot	6,208
Test Pile Metal Shells	Each	1
Name Plates	Each	1
Geocomposite Wall Drain	Sq. Yd.	155
Porous Granular Embankment, Special	Cu. Yd.	208
Concrete Headwall Removal	Each	3



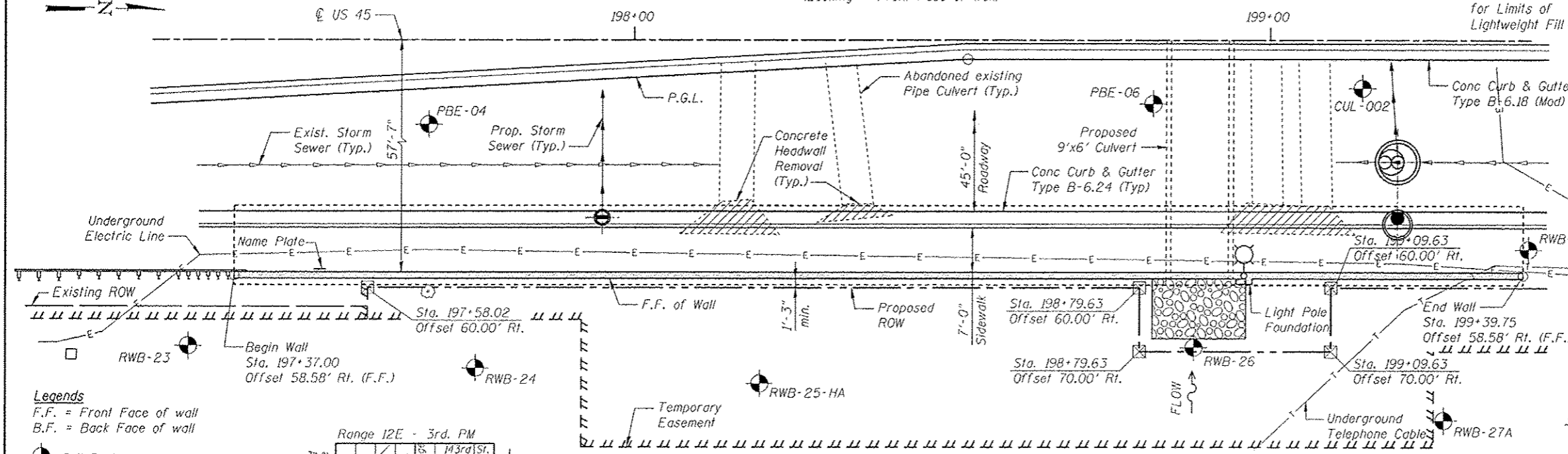
ELEVATION

(Looking @ Front Face of wall)



TYPICAL WALL SECTION

(Looking North)



PLAN

Note:
For Boring Logs PBE-04 PBE-06 & CUL-002
See Roadway Plans

GENERAL NOTES

1. Reinforcement Bars Designated (E) shall be Epoxy Coated.
2. For Details of Proposed 9'x6' Culvert, see Roadway Plans

STATION 198+38.38
BUILT BY
STATE OF ILLINOIS
FAP RTE. 330 SEC. 103R-4
LOADING HL-93
STR. NO. 016-W002

NAME PLATE

See Std. 515001



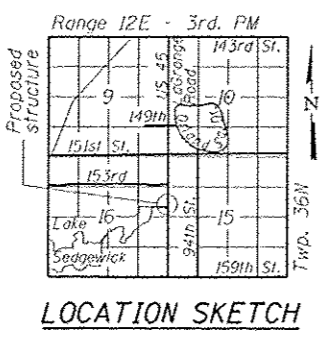
Signed: *Olufemi Oladeinde*
OLUFEMI A. OLADEINDE, P.E., S.E.
LICENSE EXPIRES 11-30-2014
03/21/13 Date

GENERAL PLAN & ELEVATION
US 45 (LaGRANGE ROAD)
FAP RTE. 330 - SEC 103R-4
COOK COUNTY
STATION 197+37.00 TO 199+39.75
STRUCTURE NO. 016-W002

APPROVED
For Structural Adequacy Only
D. Carl Perry
Engineer of Bridges & Structures

DESIGN SPECIFICATIONS
2002 AASHTO Standard Specifications
for Highway Bridges, 17th Edition

DESIGN STRESSES
Field Units
f'c = 3,500 psi
fy = 60,000 psi (Reinforcement)
fy = 50,000 psi (M270 Grade 50)



PROPOSED PROFILE GRADE
(FAP RTE, 330)



USER NAME	DESIGNED	REVISIONS
	LRT/AG	
	CHECKED	OAO
	DRAWN	TCS/AG
	CHECKED	LRT

STATE OF ILLINOIS
DEPARTMENT OF TRANSPORTATION

GENERAL PLAN AND ELEVATION
SHEET NO. 1 OF 9 SHEETS

F.A.P. RTE.	SECTION	COUNTY	TOTAL SHEETS	SHEET NO.
330	103R-4	COOK	877	528

CONTRACT NO. 60M61
ILLINOIS FED. AID PROJECT