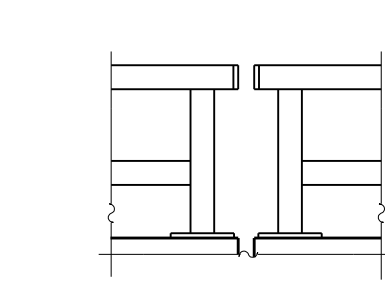
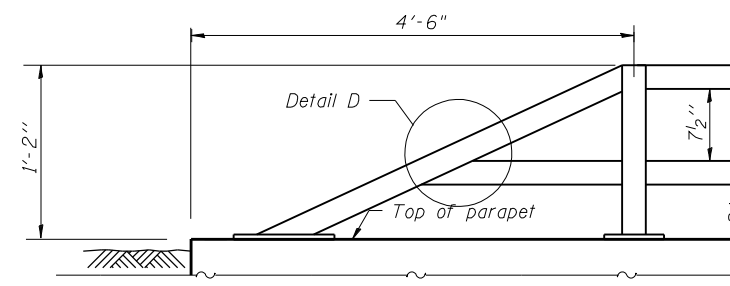


**PARAPET RAILING**  
**ELEVATION**  
(Inside Face of Rail)

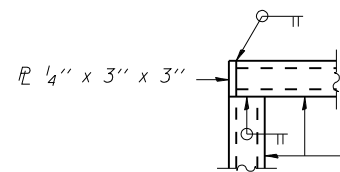


**PARAPET RAILING**  
**ELEVATION AT EXPANSION JOINT**

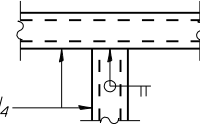


**PARAPET RAILING**  
**AT END SECTION**

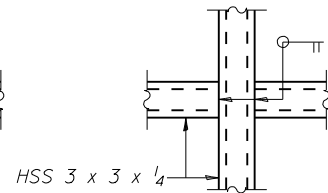
Note:  
All post, railing, splices, anchor devices, and bent plates shall be painted using the inorganic zinc-rich/waterborne acrylic paint system as described in the special provision "Cleaning and Painting New Metal Structures." Color of painted railing to be black.



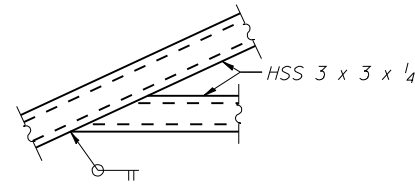
**DETAIL A**



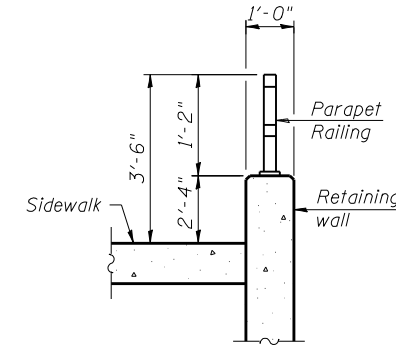
**DETAIL B**



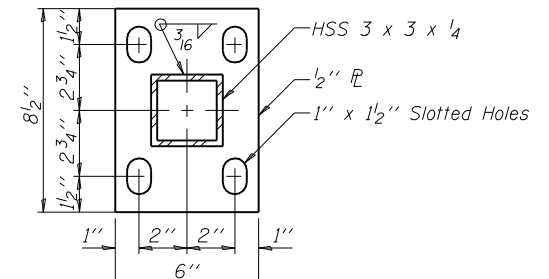
**DETAIL C**



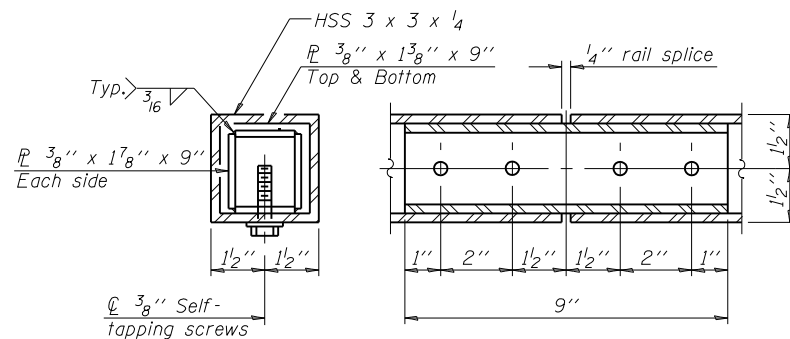
**DETAIL D**



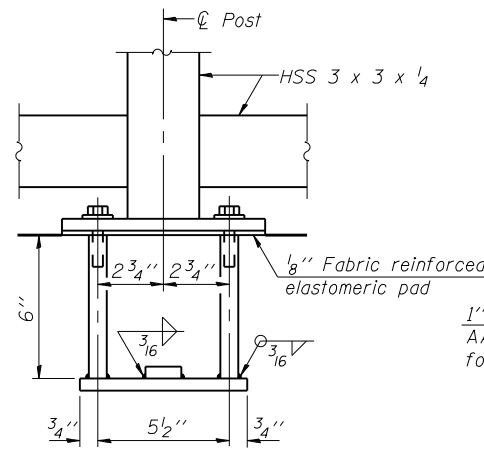
**SECTION THRU RAILING**



**BASE PLATE**

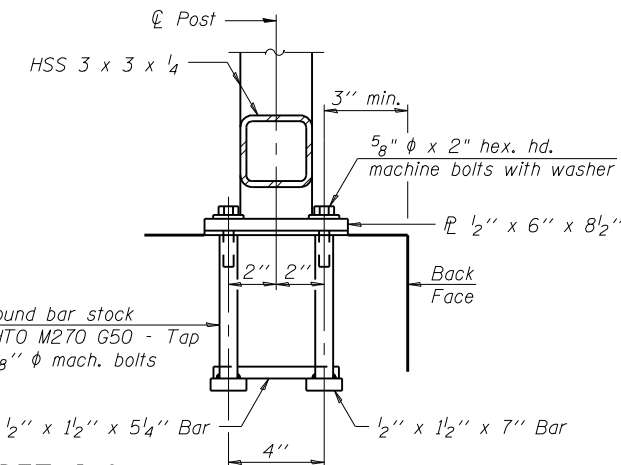


**RAIL SPLICE**



**ANCHOR BOLT DETAILS**

In lieu of the cast-in-place anchor device shown, the Contractor has the option of drilling and setting 5/8"  $\phi$  anchor rods according to Article 509.06 of the Standard Specifications. Embedment shall be according to the manufacturer's specifications.



**BILL OF MATERIAL**

Item	Unit	Quantity
Parapet Railing	Foot	196.0