

Benchmark: TBM "G" #569; Southeast bottom of light pole
 #93-15 +/- 300' north of 153rd st. on the west side of LaGrange Rd.
 E1 699.946

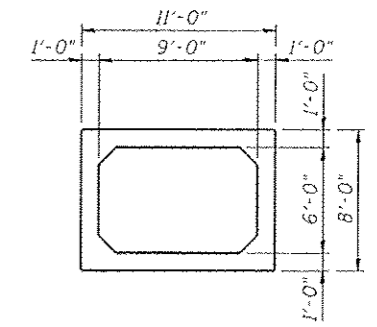
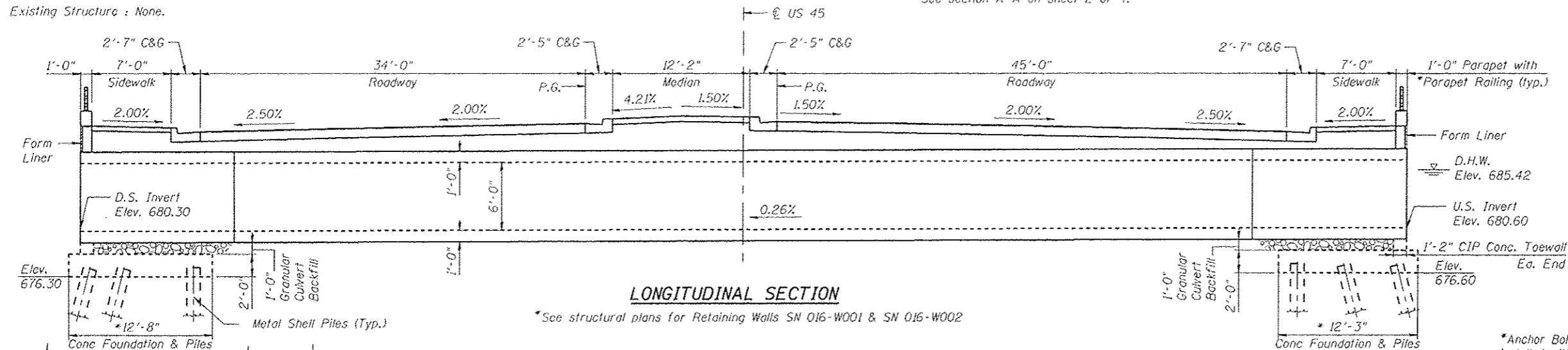
Traffic shall be maintained at all times utilizing Stage Construction.

Existing Structure : None.

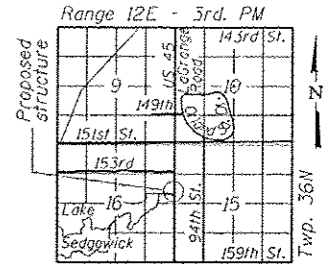
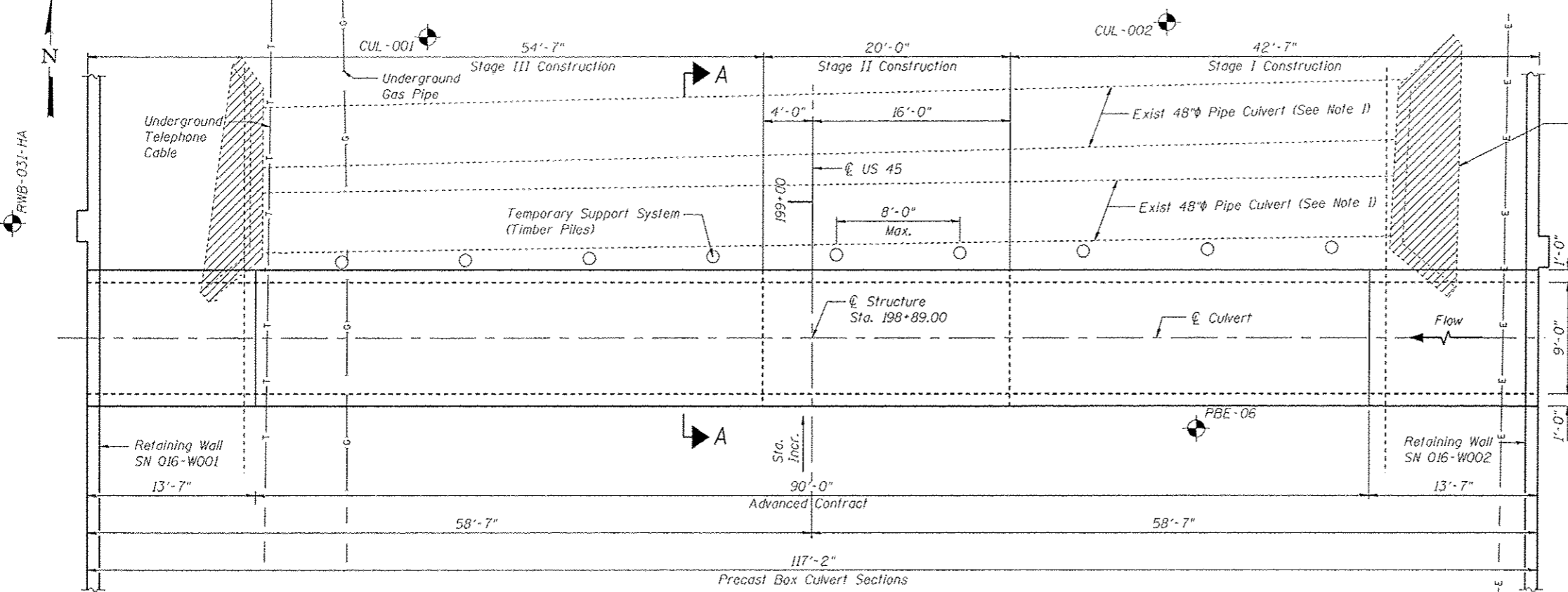
Note 1: Flow to be maintained through existing pipe culverts during construction of proposed box culvert.
 Note 2: Timber piles of the Temporary Support System need to be driven before excavation.
 Existing pipes may become exposed during excavation.
 See section A-A on sheet 2 of 4.

INDEX OF SHEETS

1. General Plan and Elevation
2. General Data & Details
3. Parapet Railing
4. Boring Logs



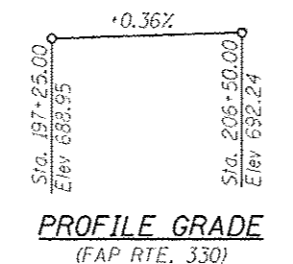
*Anchor Bolts of four Railing Posts to be installed with Box Culvert Concrete Railing Construction. See Sheets 2 & 3 of 4 for Post locations and details. Cost of Anchor Bolts included with Concrete Box Culvert. Quantity of Railing included with the adjacent retaining wall structures.



WATERWAY INFORMATION

Drainage Area = 87 acres Low Grade Elev. 688.82 @ Sta. 198+64

Flood	Freq. Yr.	Q C.F.S.	Opening Sq. Ft.		Not. H.W.E.		Head - Ft.		Headwater E.I.	
			Exist.	Prop.	Exist.	Prop.	Exist.	Prop.	Exist.	Prop.
Design	10	190	50.85	34.92	684.48	0.15	0	684.63	684.47	
Base	50	190	53.4	43.38	685.12	0.38	0.00	685.80	685.42	
Overtopping	100	235	53.6	47.34	685.86	0.57	0.00	686.43	685.86	
Max. Calc.	>500	399.5	53.6	54	687.22	1.21	1.43	685.03	688.65	



LOADING HL-93
 Allow 50#/sq. ft. for future wearing surface

DESIGN SPECIFICATIONS
 2010 AASHTO LRFD Specifications with 2012 Interim

DESIGN STRESSES

FIELD UNITS
 f'c = 3,500 psi
 fy = 60,000 psi (Reinforcement)

PRECAST UNITS
 f'c = 5,000 psi
 fy = 65,000 psi (Welded Wire Fabric)
 Max. Soil Pressure under footing = 1300 psf

Signed: *Olufemi A. Oladinde* 02/05/2013
 OLUFEMI A. OLADINDE, P.E., S.E.
 LICENSE EXPIRES 11-30-2014 Date

GENERAL PLAN & ELEVATION
US 45 (LaGRANGE ROAD)
FAP RTE. 330 - SEC 103R-4
COOK COUNTY
STATION 198+89.00



USER NAME	DESIGNED - LRT/AG	REVISED -
PLOT SCALE	CHECKED - OAO	REVISED -
PLOT DATE	DRAWN - TCS/AG	REVISED -
	CHECKED - LRT	REVISED -

STATE OF ILLINOIS
 DEPARTMENT OF TRANSPORTATION

GENERAL PLAN & ELEVATION
 MARLEY CREEK BOX CULVERT

SHEET NO. 1 OF 4 SHEETS

F.A.P. RTE. 330	SECTION 103R-4	COUNTY COOK	TOTAL SHEETS 877	SHEET 536A
CONTRACT NO. 60M61			[ILLINOIS] FED. AID PROJECT	