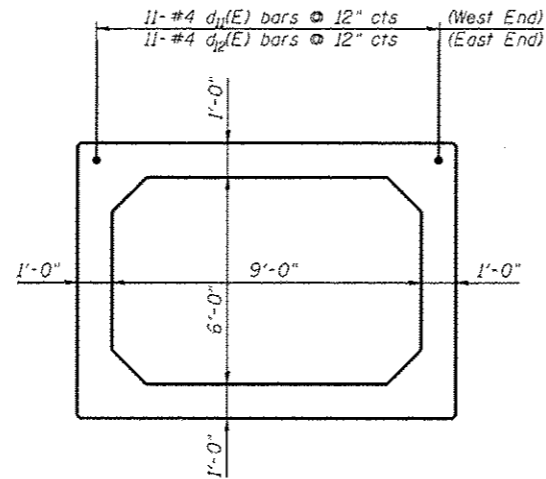
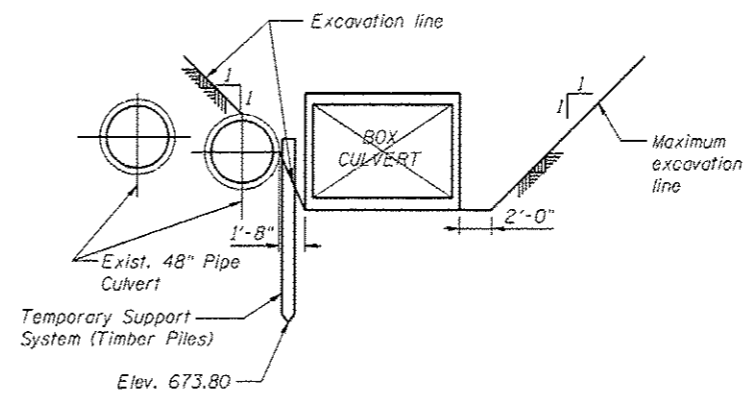


SIDE ELEVATION OF END SECTION



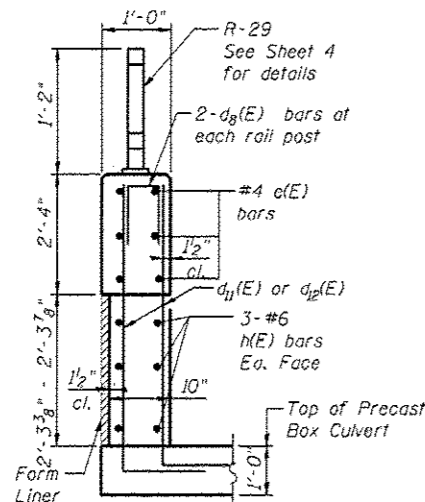
END ELEVATION



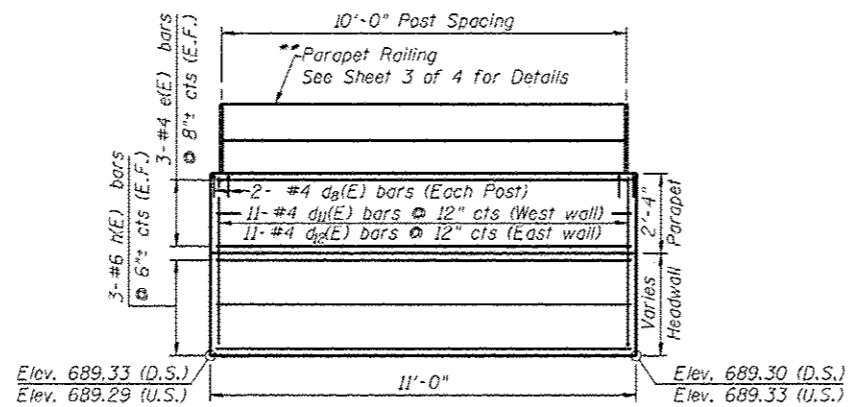
SECTION A-A

TOTAL BILL OF MATERIAL

ITEM	UNIT	TOTAL
Precast Concrete Box Culverts 9' x 6'	Ft.	27
Granular Culvert Backfill	Cu. Yd.	42
Soil Excavation	Cu. Yd.	596
Concrete Structures	Cu. Yd.	3.8
Temporary Support System	L. Yam.	4
Reinforcement Bars, Epoxy Coated	Pound	500

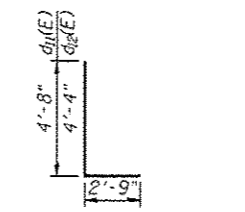
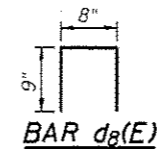


DETAIL C (Down Stream End)



HEADWALL & PARAPET ELEVATION

**Quantity included in the adjacent Retaining wall structures



Bar	No.	Size	Length	Shape
d ₈ (E)	8	#4	2'-2"	□
d ₁₁ (E)	22	#4	7'-5"	L
d ₁₂ (E)	22	#4	7'-1"	L
e(E)	12	#4	10'-9"	—
h(E)	12	#6	10'-9"	—

GENERAL NOTES

Precast Concrete Box Culvert sections shall conform to the requirements of Article 540.06 of the Standard Specifications and the applicable requirements of AASHTO M 273.

Lifting holes shall be filled with concrete plugs and mastic after box sections are in place.

Reinforcement bars designated (E) shall be epoxy coated