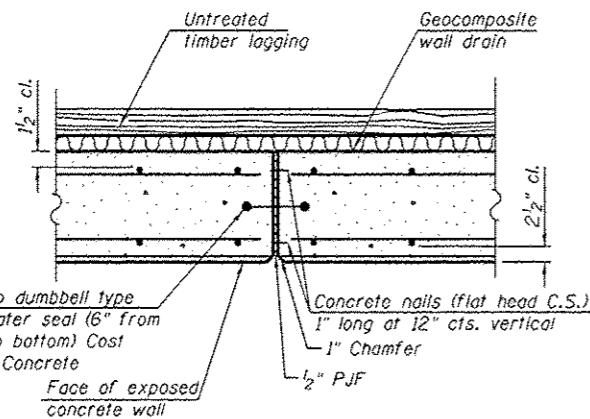
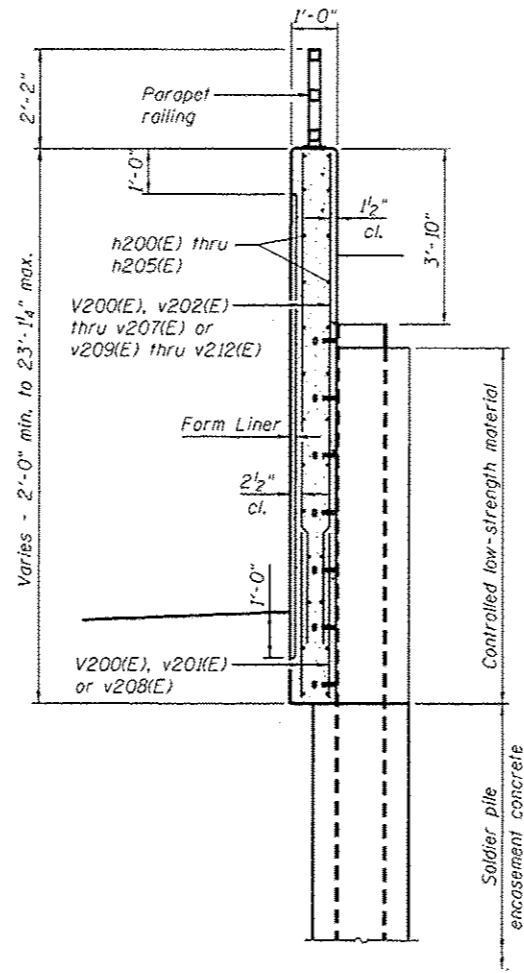


CONSTRUCTION JOINT DETAIL

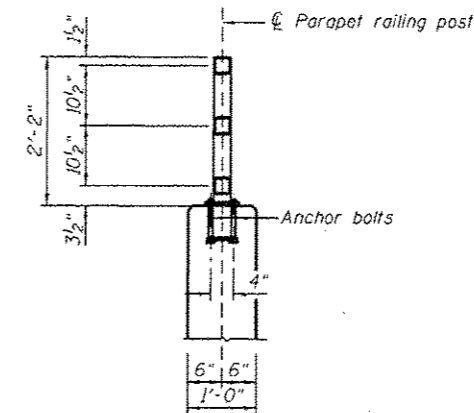


EXPANSION JOINT DETAIL



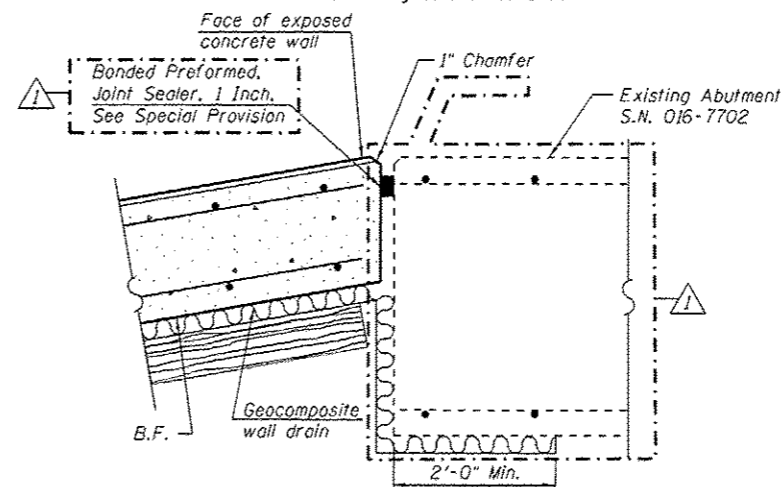
SECTION A-A

For details not shown see Typical Section Thru Soldier Pile Wall, Sheet 2.

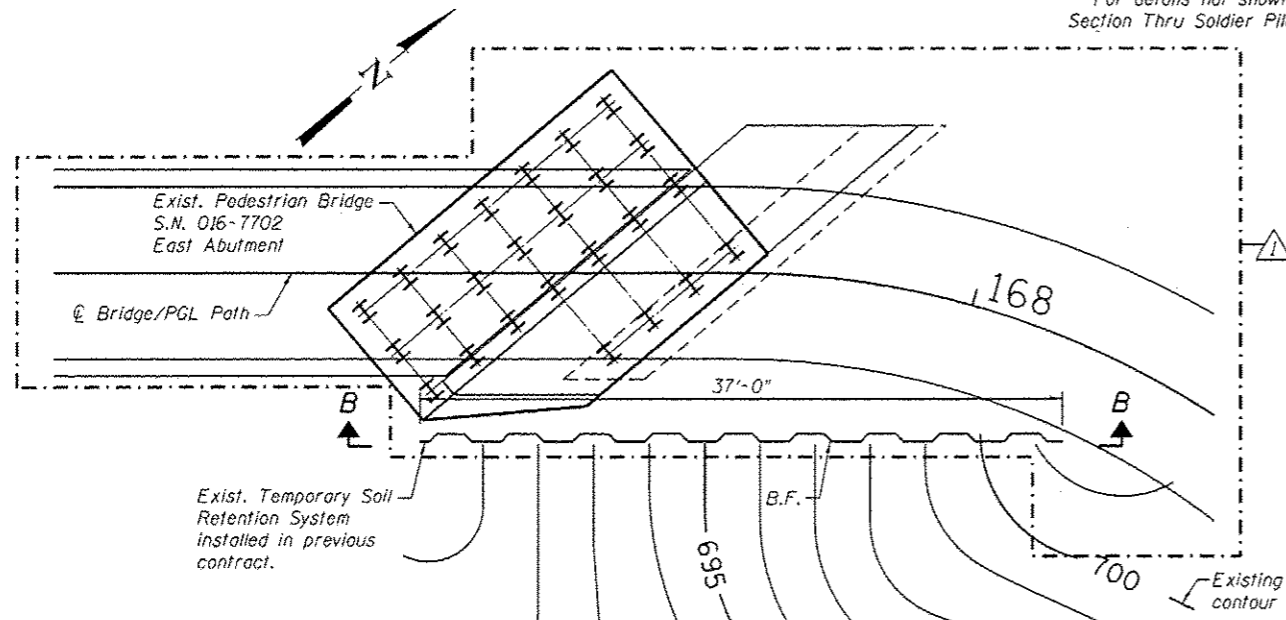


SECTION THRU PARAPET RAILING

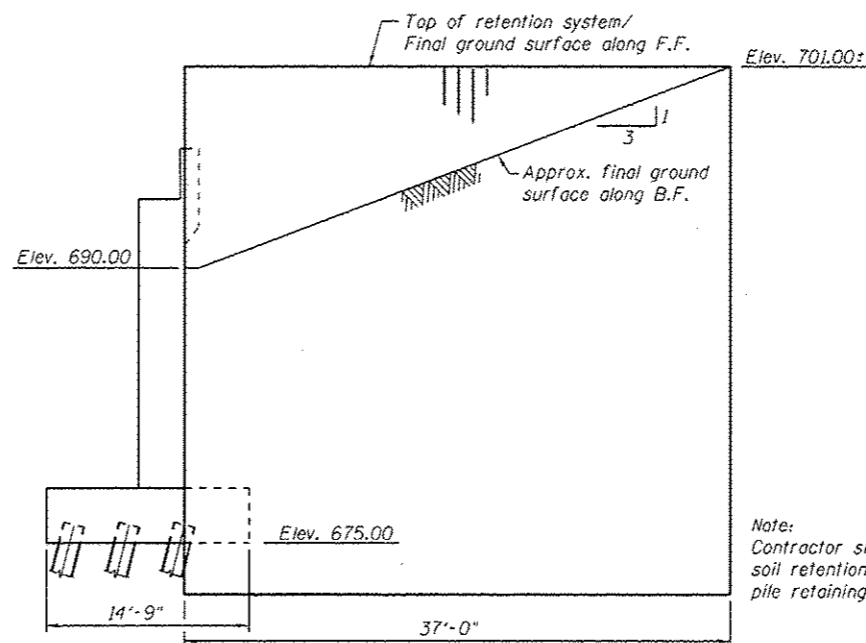
For railing details see Sheet 7.



WATERSTOP DETAIL



EXISTING TEMPORARY SOIL RETENTION SYSTEM TO BE REMOVED

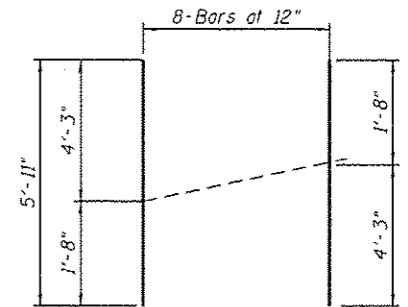


SECTION B-B

(Looking at B.F.)

BILL OF MATERIAL

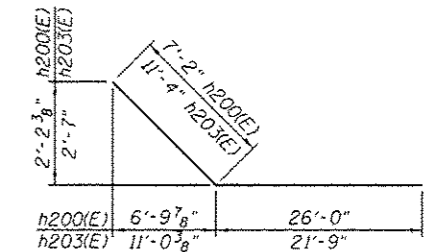
Bar	No.	Size	Length	Shape
h200(E)	2	#5	33'-2"	
h201(E)	252	#5	33'-0"	
h202(E)	78	#5	29'-8"	
h203(E)	2	#5	33'-1"	
h204(E)	4	#5	14'-3"	
h205(E)	48	#5	17'-3"	
v200(E)	8	#4	5'-11"	
v201(E)	356	#4	4'-0"	
v202(E)	46	#4	3'-9"	
v203(E)	124	#4	5'-3"	
v204(E)	124	#4	6'-9"	
v205(E)	62	#4	7'-6"	
v206(E)	62	#4	8'-3"	
v207(E)	62	#4	9'-9"	
v208(E)	410	#4	10'-0"	
v209(E)	62	#4	8'-1"	
v210(E)	62	#4	9'-3"	
v211(E)	62	#4	10'-6"	
v212(E)	62	#4	12'-7"	
v213(E)	38	#4	15'-1"	
Reinforcement Bars, Epoxy Coated		Pound	20,100	
Concrete Structures		Cu. Yd.	175.7	



BAR v200(E)

BAR CUTTING DIAGRAM

Order bars full length. Cut to fit as shown and place at one end of the dimension line shown on the plan. Use remainder of bars at opposite end of the dimension line on the opposite face of the Retaining Wall.



BARS h200(E) & h203(E)

URS
100 S. Wacker Dr.
Suite 520
Chicago, IL 60606
Tel: 312/939-0000
Fax: 312/939-0098

FILE NAME = 01G2802-60M62-890-bom.dgn	USER NAME = arealan_khan	DESIGNED = K.J.H.	REVISED = 04/12/2013 P.M.H.
		CHECKED = P.M.H.	REVISED =
		DRAWN = R.J.	REVISED =
		CHECKED = M.J.L.	REVISED =

STATE OF ILLINOIS
DEPARTMENT OF TRANSPORTATION

BILL OF MATERIAL
STRUCTURE NO. 016-2002

SHEET NO. 6 OF 95 SHEETS

F.A.P. RTE.	SECTION	COUNTY	TOTAL SHEETS	SHEET NO.
330	103R-5	COOK	778	399
CONTRACT NO. 60M62				
ILLINOIS FED. AID PROJECT				