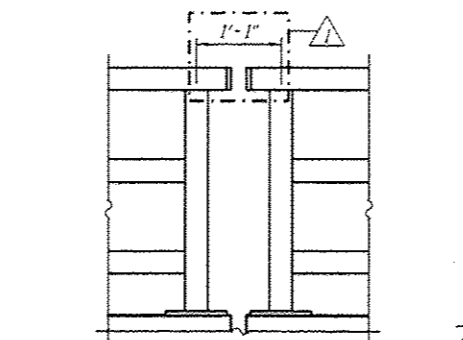


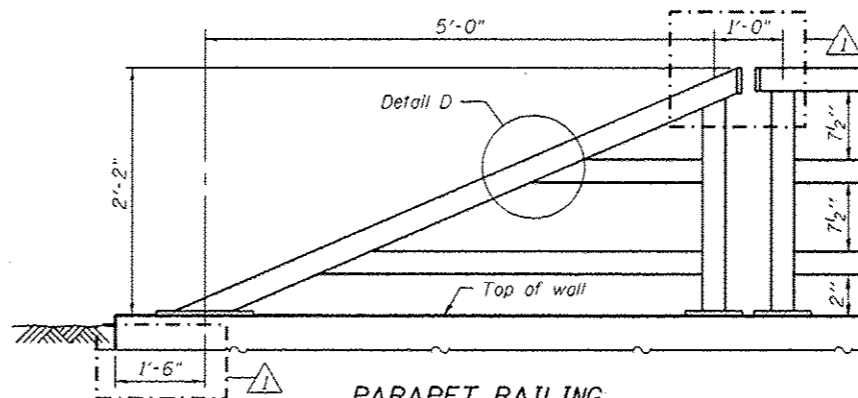
PARAPET RAILING

ELEVATION

(Inside Face of Rail)
(End Section at North End of Wall shown)



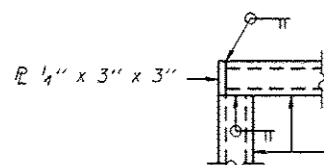
PARAPET RAILING
ELEVATION AT EXPANSION JOINT



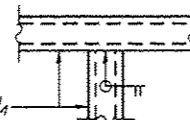
PARAPET RAILING
AT END SECTION

(At South End of Wall)

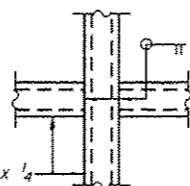
Note:
All steel rail elements shall be galvanized according to Article 509.05 of the Standard Specifications.



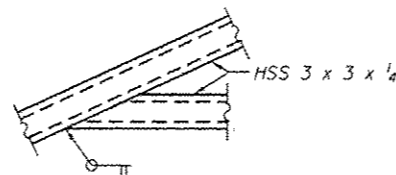
DETAIL A



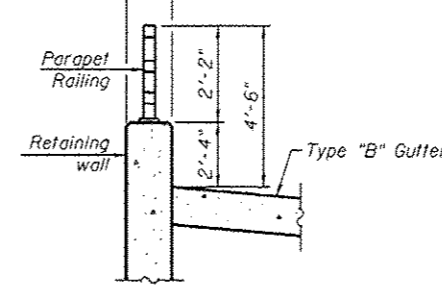
DETAIL B



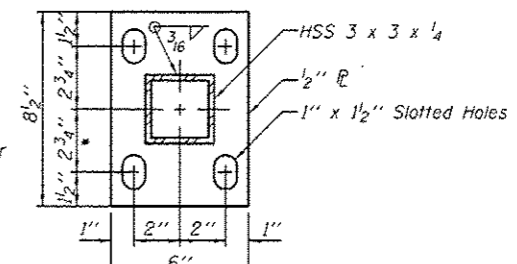
DETAIL C



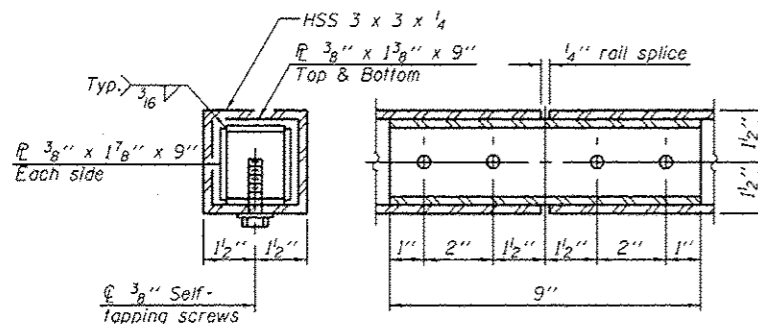
DETAIL D



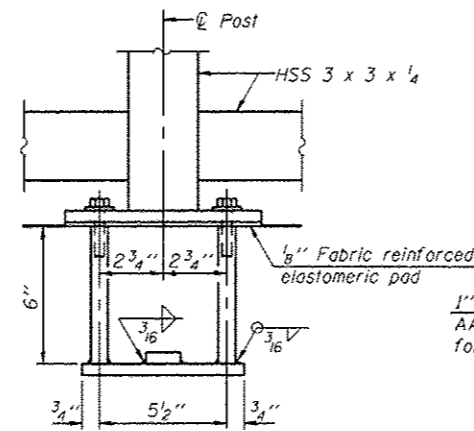
SECTION THRU RAILING



BASE PL

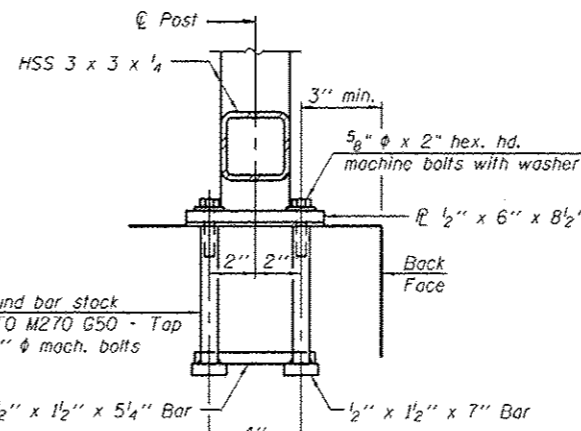


RAIL SPLICE



ANCHOR BOLT DETAILS

In lieu of the cast-in-place anchor device shown, the Contractor has the option of drilling and setting 5/8" ϕ anchor rods according to Article 509.06 of the Standard Specifications. Embedment shall be according to the manufacturer's specifications.



URS
100 S. WACKER DR.
SUITE 1500
CHICAGO, IL 60606
TEL (312) 919-4000
FAX (312) 919-4198

BILL OF MATERIAL

| Item | Unit | Quantity |
|-----------------|------|----------|
| Parapet Railing | Foot | 378 |

| | | | |
|--|--------------------------|-----------------|----------------------------|
| FILE NAME : 0162002-60M62-007-Rail.dgn | USER NAME : orsalan.khan | DESIGNED - PMH | REVISED - 04/12/2013 P.M.H |
| | | CHECKED - M.J.L | REVISED - |
| | | DRAWN - R.J | REVISED - |
| | | CHECKED - M.J.L | REVISED - |

STATE OF ILLINOIS
DEPARTMENT OF TRANSPORTATION

PARAPET RAILING
STRUCTURE NO. 016-Z002

SHEET NO. 7 OF 9 SHEETS

| F.A.P. RTE. | SECTION | COUNTY | TOTAL SHEETS | SHEET NO. |
|---------------------------|---------|--------|--------------|-----------|
| 330 | 103R-5 | COOK | 778 | 400 |
| CONTRACT NO. 60M62 | | | | |
| ILLINOIS FED. AID PROJECT | | | | |