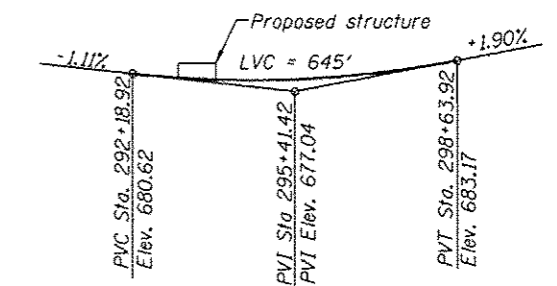
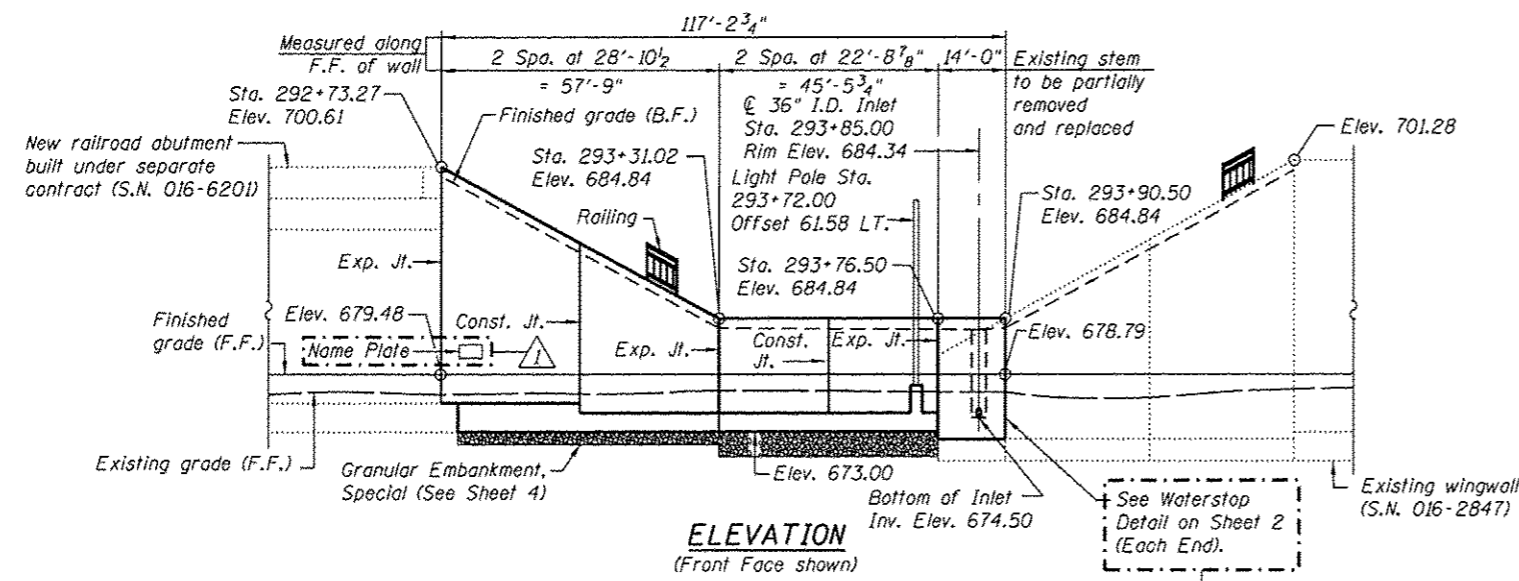
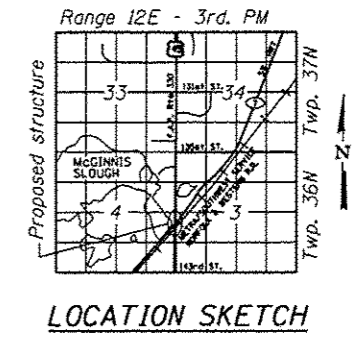


Bench Mark: Elev. 689.00 Top of brass survey monument located at the west edge of the LaGrange Road southbound pavement, 600 feet north of the SouthWest Highway bridge.

Existing Structure: Existing railroad abutment (S.N. 016-0345) and portion of wingwall (S.N. 016-2847) to be removed.

STA. 292+73.27 TO 293+90.50
 BUILT 20 BY
 STATE OF ILLINOIS
 F.A.P. RT. 330 SEC. 103R-5
 LOADING HL-93
 STR. NO. 016-2003
NAME PLATE
 See Std. 515001



APPROVED
 For Structural Adequacy Only
Dr. Carl Rupp
 Engineer of Bridges & Structures



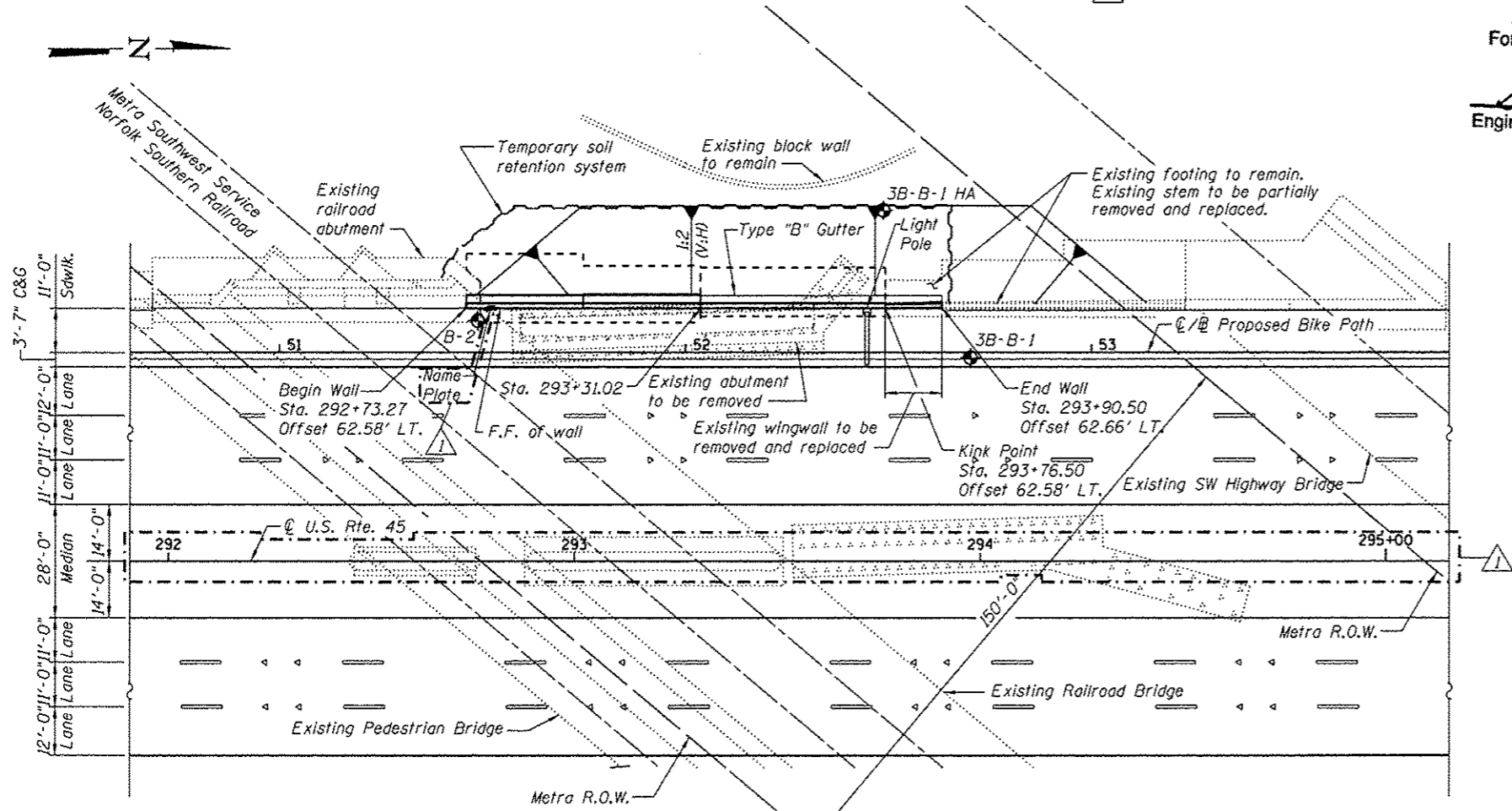
Arsalan M. Khan
 ARSALAN M. KHAN, S.E.
 LICENSE NO.: 081-006258
 EXPIRES: NOVEMBER 30, 2014
 DATE: 04-12-2013

DESIGN STRESSES
 FIELD UNITS
 f'c = 3,500 psi
 fy = 60,000 psi (Reinforcement)

DESIGN SPECIFICATIONS
 2002 AASHTO Standard Specifications
 for Highway Bridges

- LEGEND**
- ◆ Prop. Drainage Structure
 - Prop. Storm Sewer
 - Prop. Lighting
 - ◆ Soil Boring
 - F.F.=Front Face
 - B.F.=Back Face
 - E.F.=Each Face
 - I.F.=Inside Face
 - O.F.=Outside Face

GENERAL PLAN & ELEVATION
U.S. ROUTE 45 - LAGRANGE ROAD
 F.A.P. RTE. 330 SEC. 103R-5
 COOK COUNTY
 STATION 292+73.27 TO 293+90.50
 STRUCTURE NO. 016-2003



Note:
 Offsets are measured from the C/L of U.S. Rte 45 to front face of wall.

URS
 100 S. WACKER DR.
 SUITE 500
 CHICAGO, IL 60606
 TEL 312-835-1000
 FAX 312-835-4688

FILE NAME = 0162003-60M62-001-CPE.dgn	USER NAME = arsalan.khan	DESIGNED - MJL	REVISED - 4/12/2013 P.M.H.	STATE OF ILLINOIS DEPARTMENT OF TRANSPORTATION	F.A.P. RTE. 330	SECTION 103R-5	COUNTY COOK	TOTAL SHEETS 778	SHEET NO. 403
	PLOT SCALE = 48.0000' / in.	CHECKED - MGB	REVISED -		SHEET NO. 1 OF 7 SHEETS				
	PLOT DATE = 4/12/2013	DRAWN - PMH/AMV	REVISED -		ILLINOIS FED. AID PROJECT				
		CHECKED - MGB	REVISED -		CONTRACT NO. 60M62				