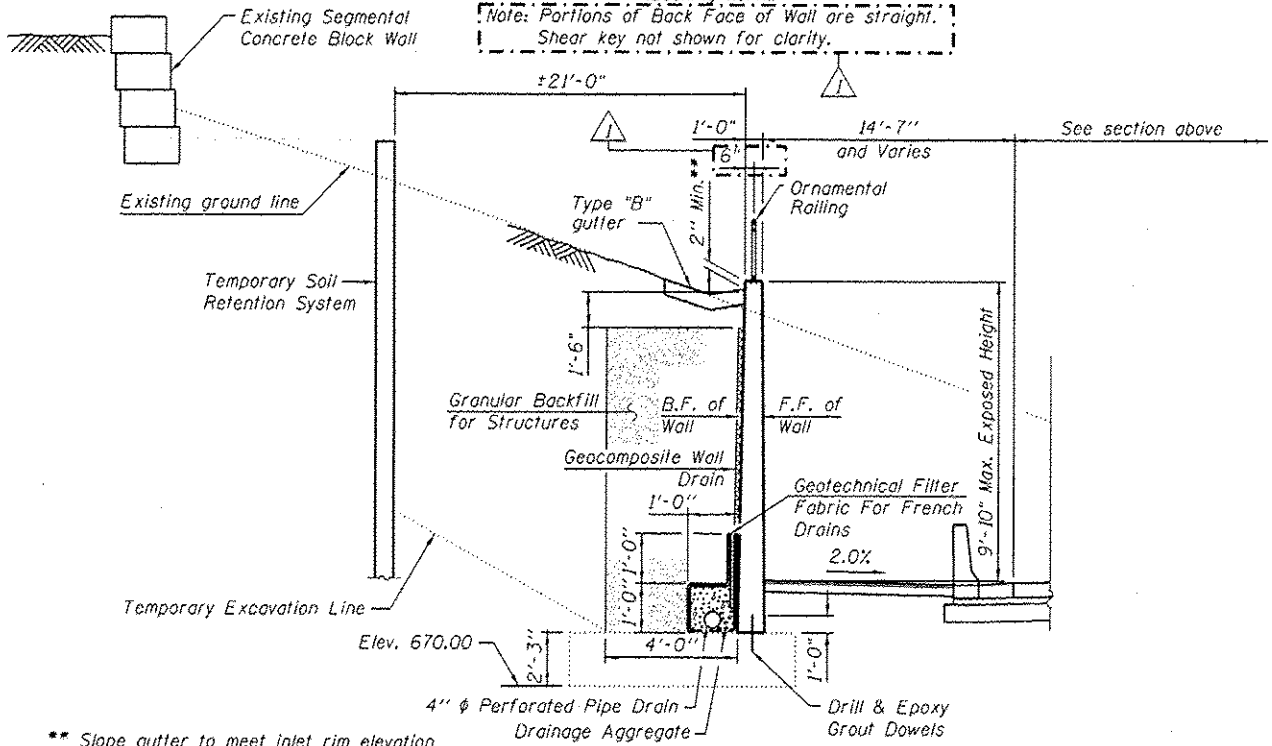


SECTION THRU RETAINING WALL
(Sta. 292+73.27 to 293+76.50)
(Looking North)

Note: Portions of Back Face of Wall are straight.
Shear key not shown for clarity.



SECTION THRU RETAINING WALL
(Sta. 293+76.50 to 293+90.50)
(Looking North)

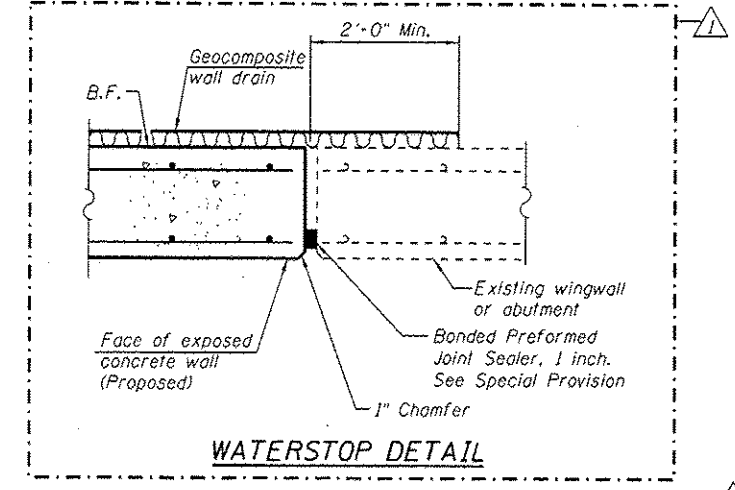
Note: Slope gutter to meet inlet rim elevation (See Sheet 1)

TOTAL BILL OF MATERIAL

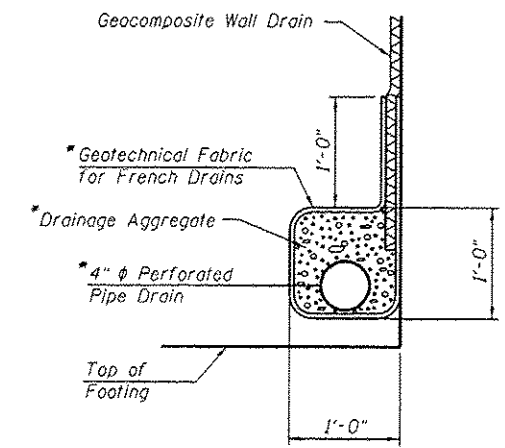
ITEM	UNIT	TOTAL
Granular Embankment, Special	Cu. Yd.	98
Concrete Removal	Cu. Yd.	419
Structure Excavation	Cu. Yd.	1,638
Removal and Disposal of Unsuitable Material for Structures	Cu. Yd.	93
Concrete Structures	Cu. Yd.	2,229
Form Liner Textured Surface	Sq. Ft.	1,366
Reinforcement Bars, Epoxy Coated	Pound	25,130
Name Plates	Each	1
Geocomposite Wall Drain	Sq. Yd.	157
Removal of Temporary Soil Retention System	Sq. Ft.	218
Granular Backfill for Structures	Cu. Yd.	256
Ornamental Railing	Foot	182
Bonded Preformed Joint Sealer, 1 Inch	Foot	37
Pipe Underdrains for Structures 4"	Foot	112
Temporary Soil Retention System	Sq. Ft.	1,427

INDEX OF SHEETS

1. General Plan and Elevation
2. General Details and Bill of Material
3. Retaining Wall Plan and Elevation
4. Sections and Details
5. Removal Plan and Soil Retention System
6. Railing Details
7. Soil Borings



WATERSTOP DETAIL



PIPE UNDERDRAIN DETAIL

*Included in the cost of "Pipe Underdrains for Structures 4".

GENERAL NOTES

1. Reinforcement bars designated (E) shall be epoxy coated.
2. The back face of Retaining Wall shall be waterproofed according to Article 503.1B of the Standard Specifications.
3. The form liner shall be a random Ashlar blend pattern consisting of the following block sizes:
 1. 28% - 4" X 18"
 2. 16% - 8" X 8"
 3. 28% - 8" X 11"
 4. 28% - 8" X 18"

URS
100 S. WACKER DR.
SUITE 500
CHICAGO, IL 60606
TEL (312) 939-0000
FAX (312) 939-4156

FILE NAME: 01G2003-G0M2-002-GND.dgn	USER NAME: arsalan.khan	DESIGNED: MJL	REVISED: 4/12/2013 P.M.J.H.	STATE OF ILLINOIS DEPARTMENT OF TRANSPORTATION	GENERAL DETAILS AND BILL OF MATERIAL STRUCTURE NO. 016-2003	F.A.P. RTE.:	SECTION:	COUNTY:	TOTAL SHEETS:	SHEET NO.:
PLOT SCALE: 1/8" = 1'-0"	DRAWN: PMH/AMV	REVISIONS:	330			103R-5	COOK	778	404	
PLOT DATE: 4/12/2013	CHECKED: MCB	REVISIONS:	CONTRACT NO. 60M62							
SHEET NO. 2 OF 7 SHEETS						ILLINOIS F&O PROJECT				