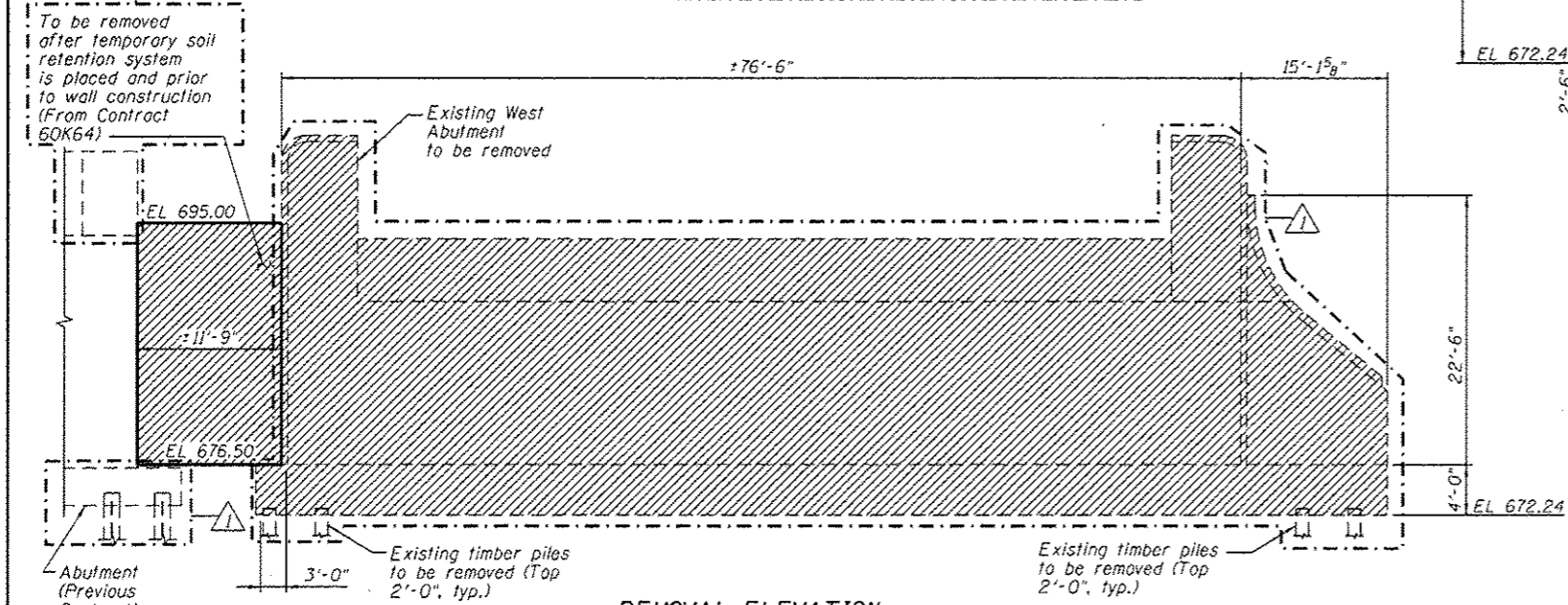


- TEMPORARY SOIL RETENTION SYSTEM REMOVAL SEQUENCE**
1. Remove section (A), approximate length = ±11'-9"
  2. Remove section (B), approximate length = ±28'-6"

**REMOVAL PLAN**

Note:  
A cantilevered sheet piling design does not appear feasible and additional members or other retention systems may be necessary. The Contractor shall submit a temporary soil retention system design including plan details and calculations for review and acceptance by the Engineer.

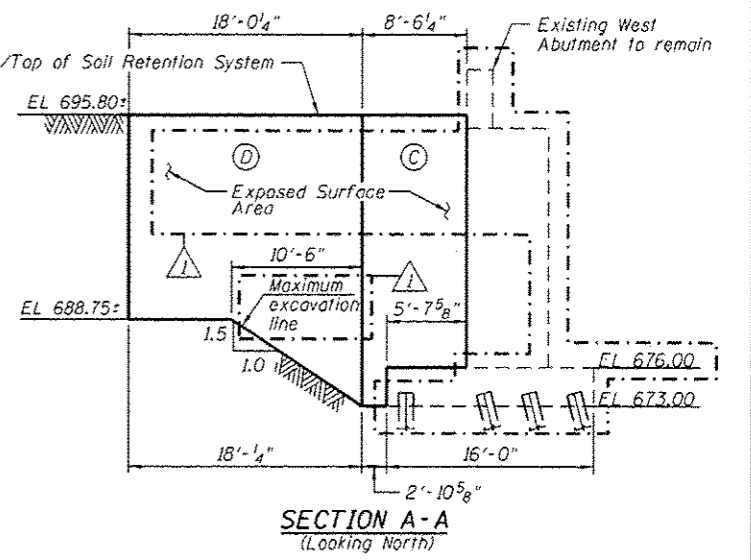


**REMOVAL ELEVATION**  
(Looking West, Existing Only)

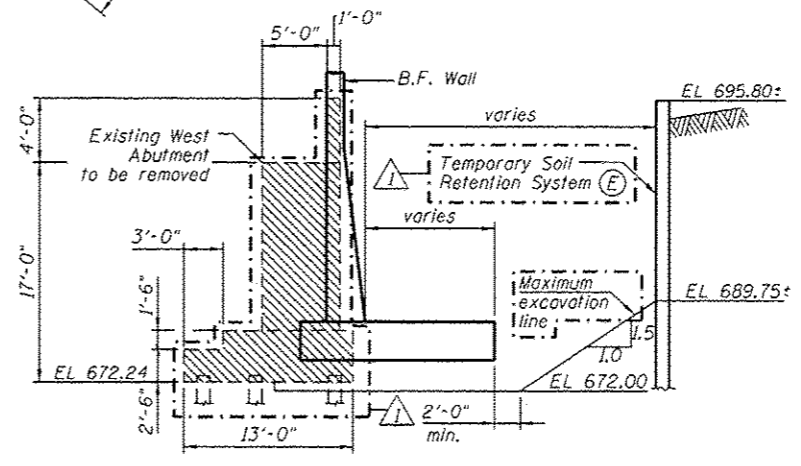
**BILL OF MATERIAL**

ITEM	UNIT	QUANTITY
Concrete Removal	Cu. Yd.	419
Removal of Temporary Soil Retention System	Sq. Ft.	218
Temporary Soil Retention System	Sq. Ft.	1,427

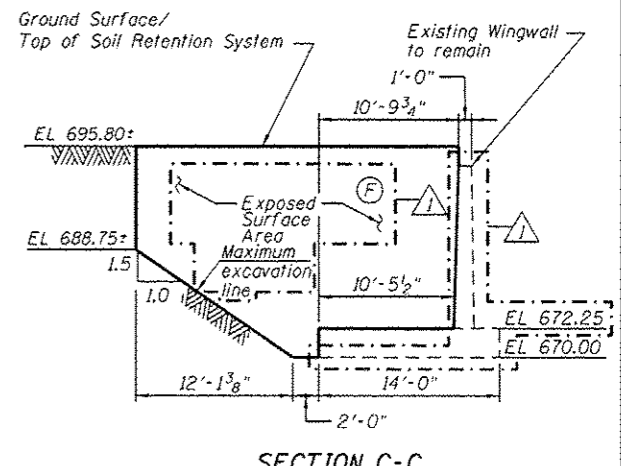
Notes:  
Existing bars shall be cut flush with removal concrete except as noted otherwise.  
Existing reinforcement shall be cleaned and incorporated into the new construction.  
Cost included with Concrete Removal.



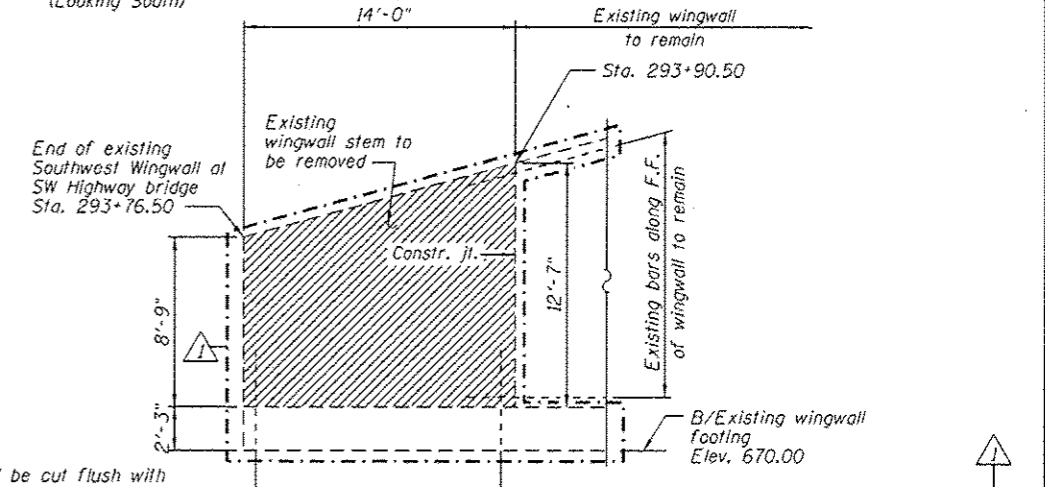
**SECTION A-A**  
(Looking North)



**SECTION B-B**  
(Looking South)



**SECTION C-C**  
(Looking North)



**SECTION D-D**  
(Looking West)

Notes:  
1. Dimensions shown are along Temporary Soil Retention System as shown in plan view.  
2. "Concrete Removal" quantity based on existing drawings. Contractor to verify dimensions in field.

URS  
100 S. WACKER DR.  
SUITE 500  
CHICAGO, IL 60606  
TEL (312) 939-0000  
FAX (312) 939-4158