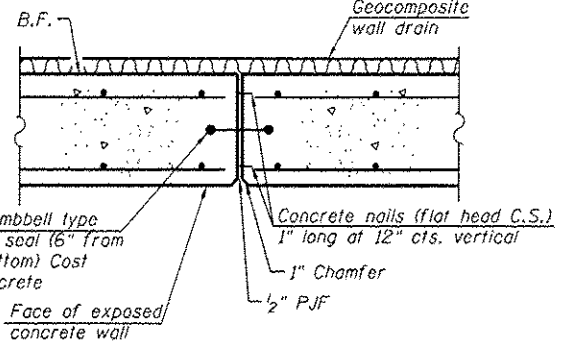
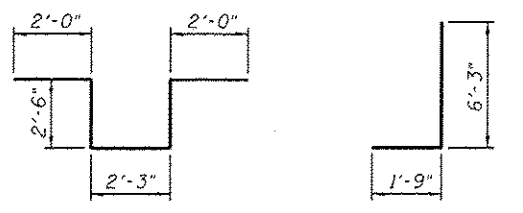


CONSTRUCTION JOINT DETAIL

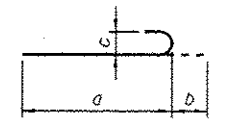


EXPANSION JOINT DETAIL

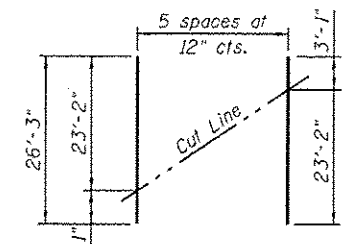


BAR d400(E) BAR d401(E)

Bar	a	b	c
n400(E)	5'-6"	7"	5"
n401(E)	10'-5"	1'-5"	1'-1 1/4"
n402(E)	8'-6"	1'-3"	11'-4"
n405(E)	8'-11"	11"	8"

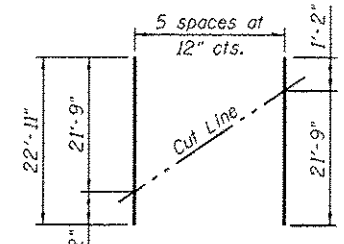


BARS n400(E), n401(E), n402(E) and n405(E)



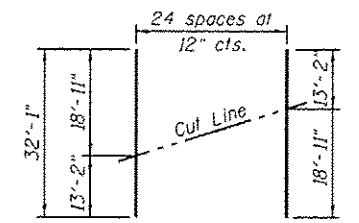
BAR h401(E)

Order h401(E) bars full length. Cut as shown and use remainder of bars in opposite face of panel.



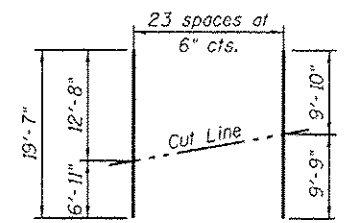
BAR h403(E)

Order h403(E) bars full length. Cut as shown and use remainder of bars in opposite face of panel.



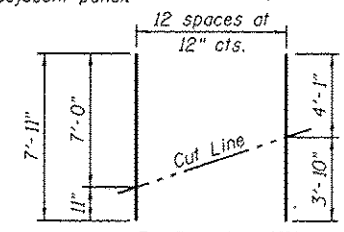
BAR v400(E)

Order v400(E) bars full length. Cut as shown and use remainder in F.F. of adjacent panel.



BAR v403(E)

Order v403(E) bars full length. Cut as shown and use all in B.F. of panel.



BAR v405(E)

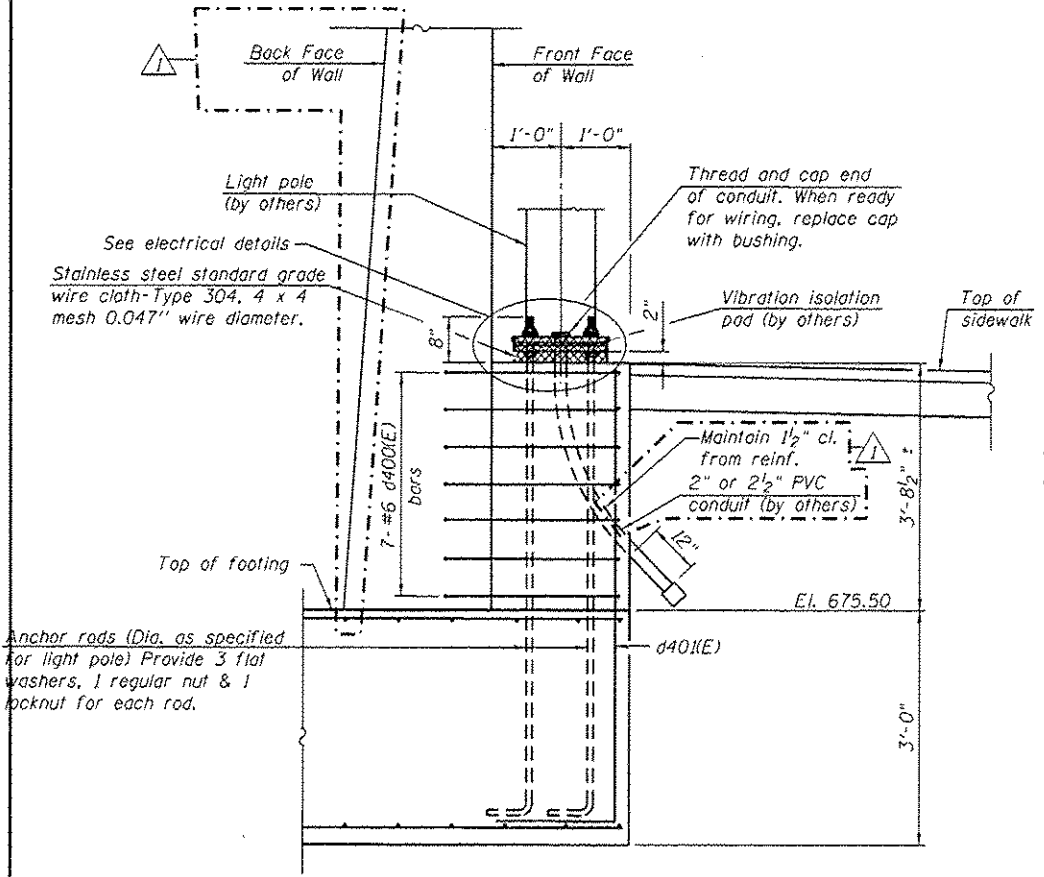
Order v405(E) bars full length. Cut as shown and use all in B.F. of panel.

CUTTING DIAGRAMS

WALL BILL OF MATERIAL

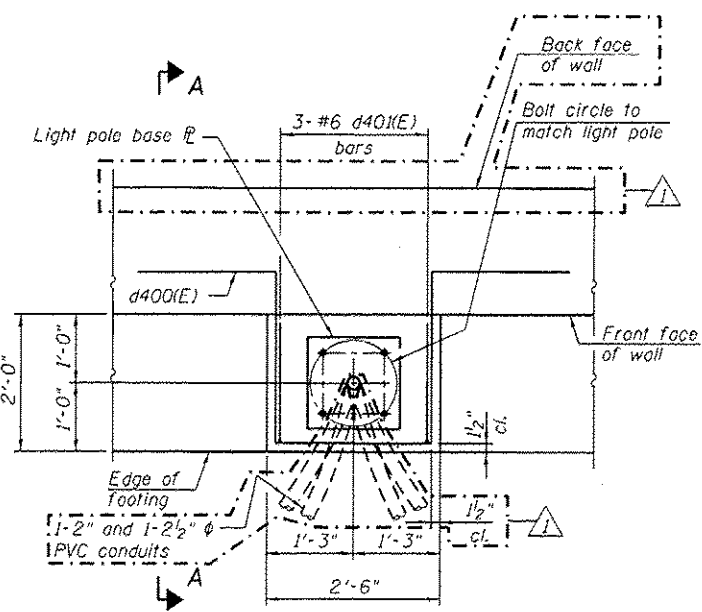
Bar	No.	Size	Length	Shape
d400(E)	7	#6	11'-3"	U
d401(E)	3	#6	8'-0"	U
h400(E)	30	#5	26'-8"	—
h401(E)	6	#5	26'-3"	—
h402(E)	42	#5	23'-4"	—
h403(E)	6	#5	22'-11"	—
h404(E)	30	#5	40'-1"	—
h405(E)	30	#5	36'-9"	—
h406(E)	16	#5	2'-11"	—
n400(E)	122	#5	6'-1"	U
n401(E)	41	#10	11'-10"	U
n402(E)	25	#9	9'-9"	U
n403(E)	4	#5	3'-9"	—
n404(E)	7	#10	9'-3"	—
n405(E)	76	#8	9'-10"	U
v400(E)	89	#9	14'-8"	—
v401(E)	65	#5	14'-8"	—
v402(E)	300	#7	14'-8"	—
v400(E)	25	#5	32'-1"	—
v401(E)	25	#5	8'-8"	—
v402(E)	48	#8	13'-2"	—
v403(E)	24	#6	19'-7"	—
v404(E)	25	#5	12'-0"	—
v405(E)	13	#5	7'-11"	—
v406(E)	76	#5	13'-2"	—
v407(E)	76	#5	11'-11"	—
w400(E)	160	#5	26'-0"	—
Concrete Structures			Cu. Yd.	329.0
Reinforcement Bars, Epoxy Coated			Pound	34,450

Bars indicated thus 14 x 2-#5 etc. indicates 14 lines of bars with 2 lengths per line.



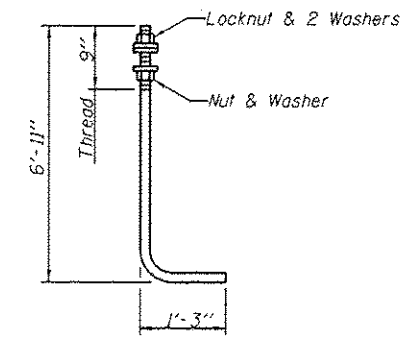
SECTION A-A
Looking South

LIGHT POLE DETAILS



PLAN

Note: Cost of anchor rods are included with Concrete Structures.



ANCHOR ROD

Diameter as specified for light poles. (ASTM F 1554 Grade 105)

URS
800 S. WACKER DR.
SUITE 500
CHICAGO, IL 60606
TEL (312) 939-0000
FAX (312) 939-4998

FILE NAME: 0162004-60M62-005-det.dgn	USER NAME: arealon.khan	DESIGNED: MJL	REVISED: 04/12/2013 BAR	STATE OF ILLINOIS DEPARTMENT OF TRANSPORTATION	SECTIONS AND DETAILS 2 STRUCTURE NO. 016-2004	F.A.P. RTE. 330	SECTION 103R-5	COUNTY COOK	TOTAL SHEETS 778	SHEET NO. 414
PLOT SCALE: 012.0000 1/1 in.	DRAWN: AMV	CHECKED: MJL	REVISOR:			CONTRACT NO. 60M62				
PLOT DATE: 4/11/2013	CHECKED: MJL	REVISOR:	ILLINOIS FED. AID PROJECT							
SHEET NO. 5 OF 10 SHEETS										