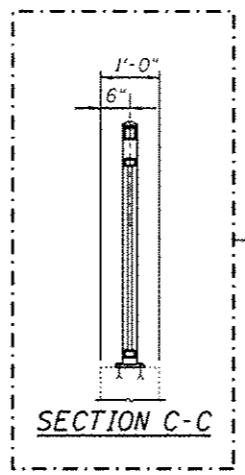
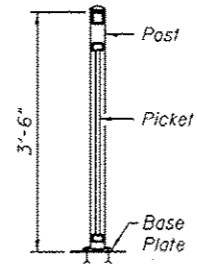


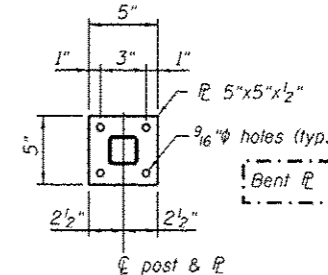
WINGWALL ELEVATION
(Looking West)



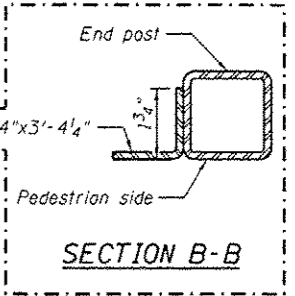
SECTION C-C



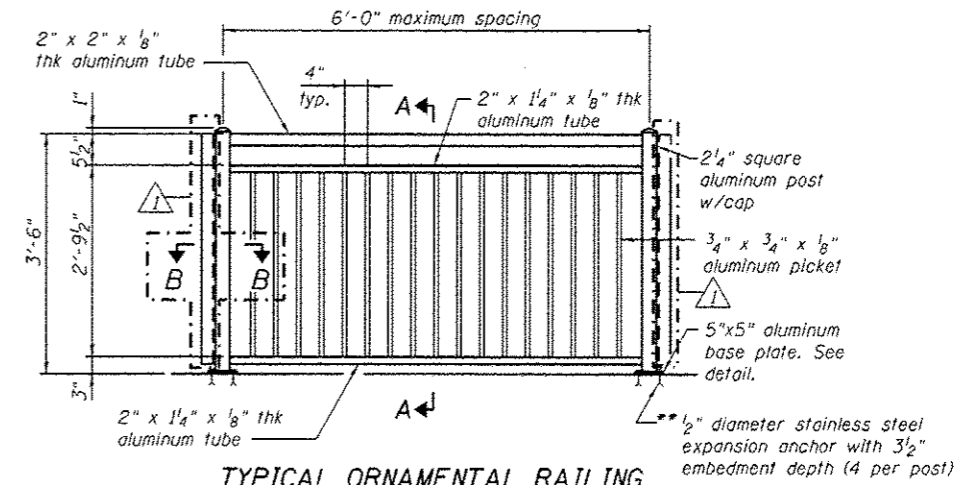
SECTION A-A



BASE PLATE DETAIL



SECTION B-B



TYPICAL ORNAMENTAL RAILING

** At existing wall, Contractor shall drill and set 1/2" ϕ anchor rods according to Article 509.06 of the Standard Specifications. Embedment shall be according to the manufacturer's specifications.

URS
100 S. WACKER DR.
SUITE 500
CHICAGO, IL 60606
TEL (312) 939-4000
FAX (312) 939-4058

FILE NAME : 016Z004-60M62-007-rail.dgn	USER NAME : arealon,khan	DESIGNED - PMH	REVISED - 04/12/2013 P.M.H.
		CHECKED - NPP	REVISED -
		DRAWN - PMH	REVISED -
		CHECKED - NPP	REVISED -
			REVISED -

STATE OF ILLINOIS
DEPARTMENT OF TRANSPORTATION

RAILING DETAILS
STRUCTURE NO. 016-Z004
SHEET NO. 7 OF 10 SHEETS

F.A.P. RTE. 330	SECTION 103R-5	COUNTY COOK	TOTAL SHEETS 778	SHEET NO. 416
				CONTRACT NO. 60M62
ILLINOIS FED. AID PROJECT				