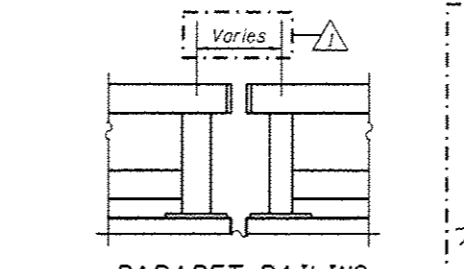
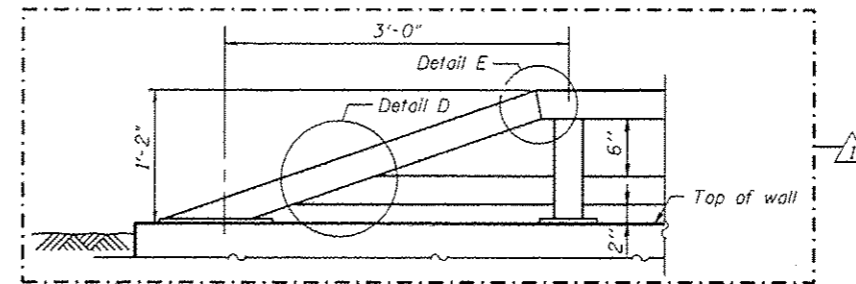


PARAPET RAILING
ELEVATION
(Inside Face of Rail)

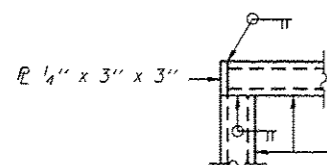


PARAPET RAILING
ELEVATION AT EXPANSION JOINT

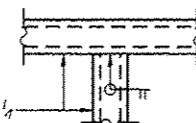


PARAPET RAILING
AT END SECTION

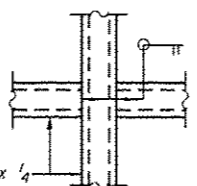
Note:
All steel rail elements shall be galvanized according to Article 509.05 of the Standard Specifications.



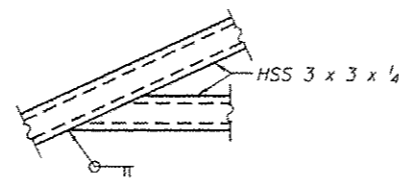
DETAIL A



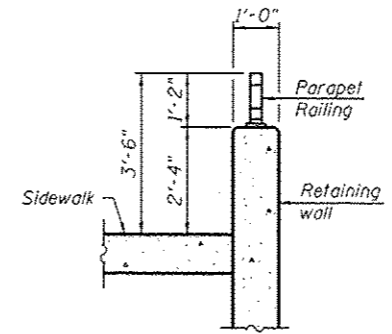
DETAIL B



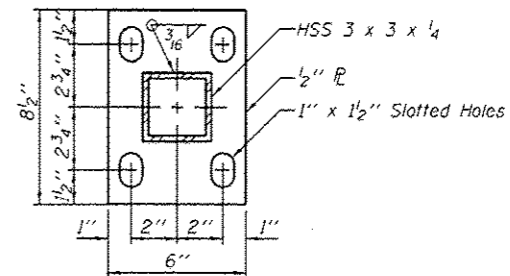
DETAIL C



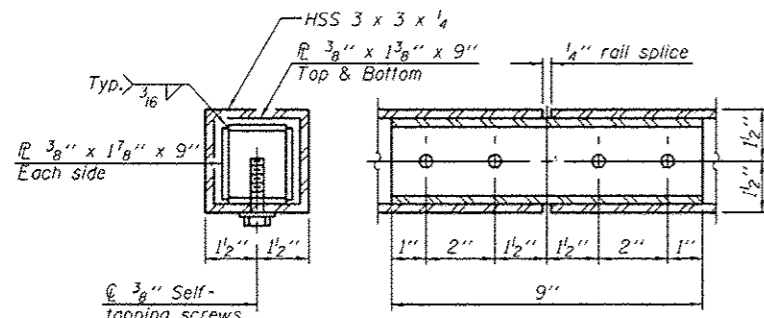
DETAIL D



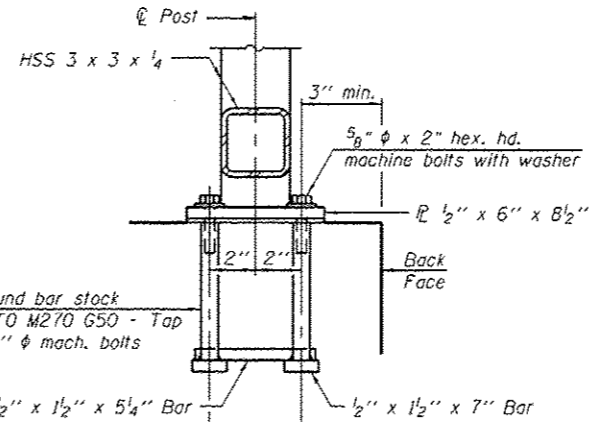
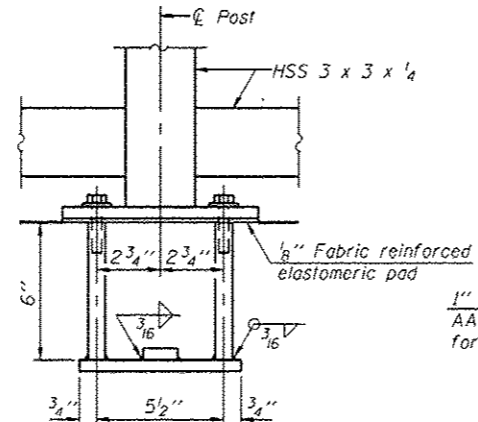
SECTION THRU RAILING



BASE PL

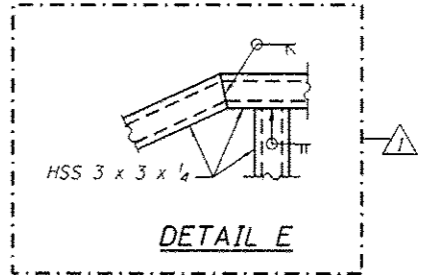


RAIL SPLICE



ANCHOR BOLT DETAILS

In lieu of the cast-in-place anchor device shown, the Contractor has the option of drilling and setting 5/8" ϕ anchor rods according to Article 509.06 of the Standard Specifications. Embedment shall be according to the manufacturer's specifications.



DETAIL E

BILL OF MATERIAL

Item	Unit	Quantity
Parapet Railing	Foot	1,019

URS
100 S. WACKER DR.
SUITE 500
CHICAGO, IL 60606
TEL (312) 939-0000
FAX (312) 939-4598

FILE NAME : 0162005-G0M62-011-Rail.dgn	USER NAME : arsalan_khan	DESIGNED - PMH	REVISED - 04/12/2013 K.M.P.
		CHECKED - AMK	REVISED -
		DRAWN - PMH	REVISED -
		CHECKED - AMK	REVISED -

STATE OF ILLINOIS
DEPARTMENT OF TRANSPORTATION

PARAPET RAILING
STRUCTURE NO. 016-2005
SHEET NO. 11 OF 21 SHEETS

F.A.P. RTE. 330	SECTION 103R-5	COUNTY COOK	TOTAL SHEETS 778	SHEET NO. 430
				CONTRACT NO. 60M62
ILLINOIS FED. AID PROJECT				