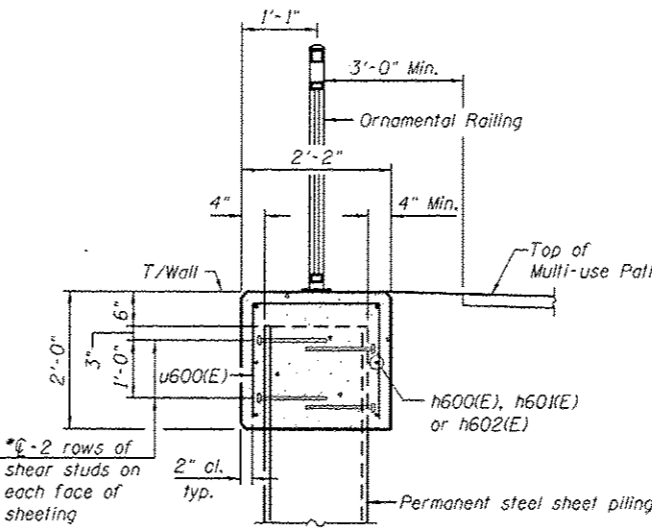
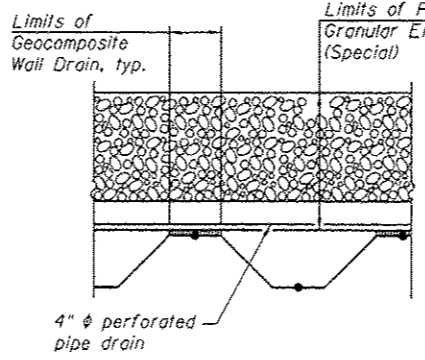


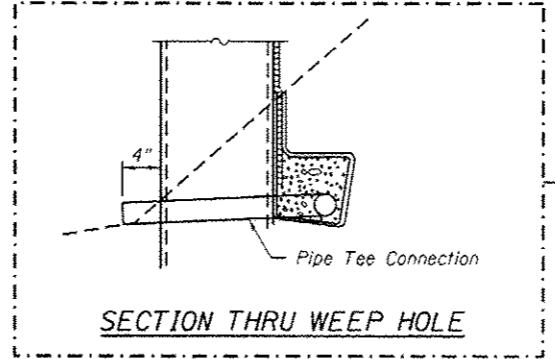
MINIMUM BAR LAP
#5 bar = 3'-8"



* Shear studs shall be 3/4" φ x 12" long granular or solid flux filled headed studs automatically end welded in field to sheet piling.

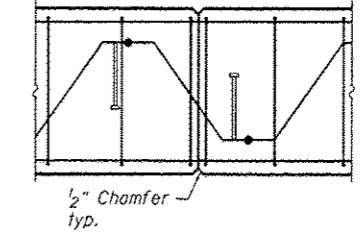


WALL DRAINAGE DETAILS

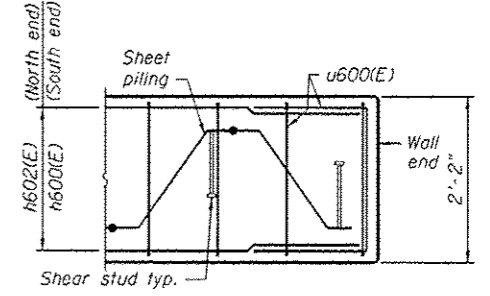
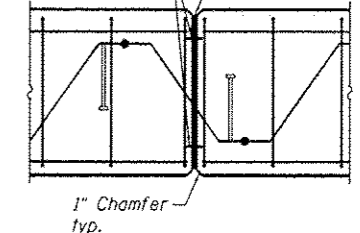


SECTION THRU WEEP HOLE

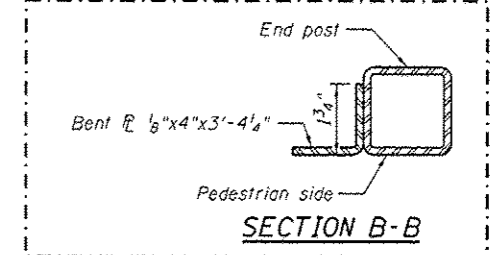
WALL CONSTRUCTION JOINT



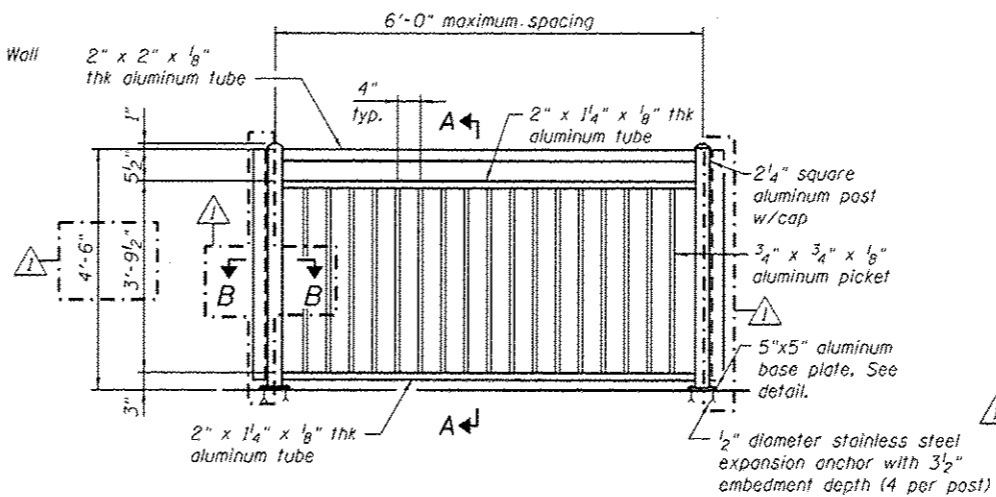
WALL EXPANSION JOINT



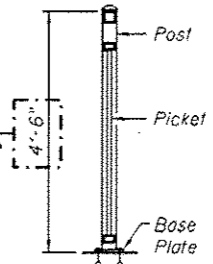
PLAN AT END OF WALL



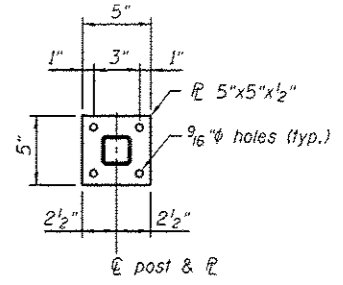
SECTION B-B



TYPICAL ORNAMENTAL RAILING



SECTION A-A



BASE PLATE DETAIL

BILL OF MATERIAL

Bar	No.	Size	Length	Shape
h600(E)	126	#5	33'-8"	
h601(E)	60	#5	29'-8"	
h602(E)	6	#5	19'-8"	
u600(E)	967	#5	5'-2"	
Reinforcement Bars, Epoxy Coated			Pound	11,620
Concrete Structures			Cu. Yd.	152.5

Notes:
1. For Typical Details see Sheet 2.
2. Bars indicated thus 3x2-#5 etc. indicates 3 lines of bars with 2 lengths per line.

Bars indicated thus 3x2-#5 h600(E) etc. indicates 3 lines of bars with 2 lengths per line.

URS
100 S. WACKER DR.
SUITE 500
CHICAGO, IL 60606
TEL 312-939-0000
FAX 312-939-4588

FILE NAME: 0162006-60M62-000-pl.rdg	USER NAME: analan_khan	DESIGNED: PMH	REVISION: 04/12/2013 P.M.H.
		CHECKED: AMK	REVISION:
		DRAWN: AMV	REVISION:
		CHECKED: AMK	REVISION:
			REVISION:

STATE OF ILLINOIS
DEPARTMENT OF TRANSPORTATION

DETAILED PLAN AND ELEVATION 6
STRUCTURE NO. 016-2006
SHEET NO. 8 OF 21 SHEETS

F.A.P. RTE. 330	SECTION 103R-5	COUNTY COOK	TOTAL SHEETS 778	SHEET NO. 448
CONTRACT NO. 60M62				ILLINOIS FED. AID PROJECT