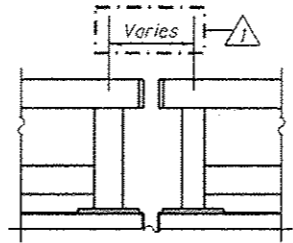
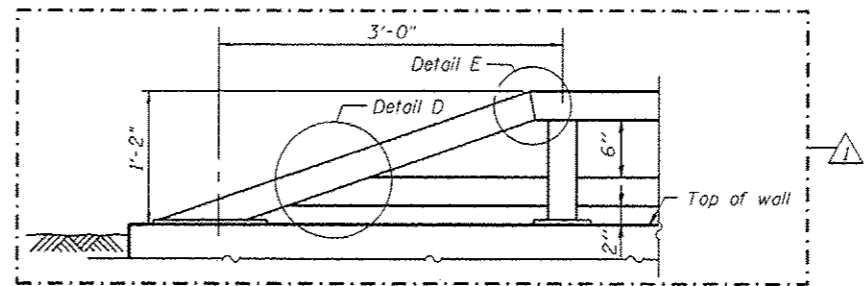


PARAPET RAILING
ELEVATION
(Inside Face of Rail)

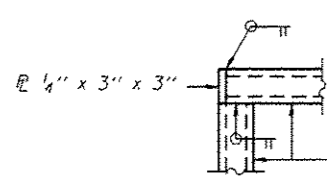


PARAPET RAILING
ELEVATION AT EXPANSION JOINT
See sheets 3 thru 6 for spacing between end posts

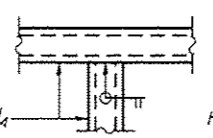


PARAPET RAILING
AT END SECTION

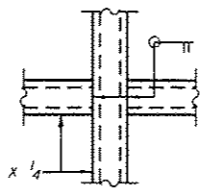
Note:
All steel rail elements shall be galvanized according to Article 509.05 of the Standard Specifications.



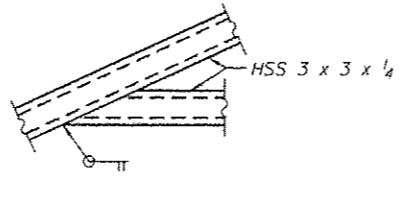
DETAIL A



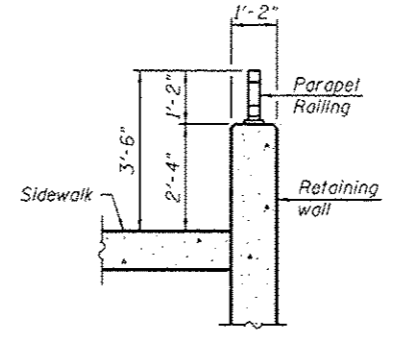
DETAIL B



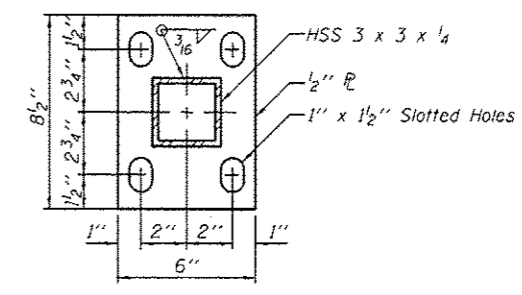
DETAIL C



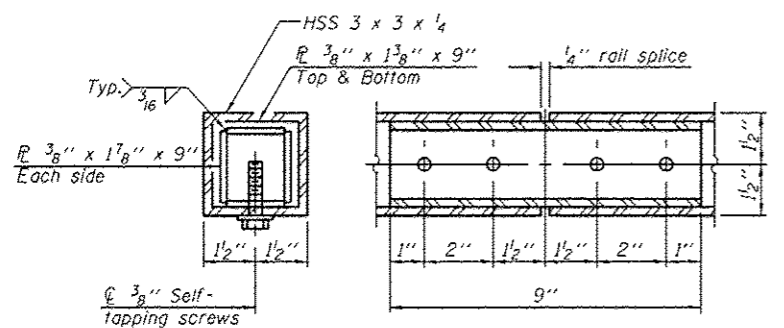
DETAIL D



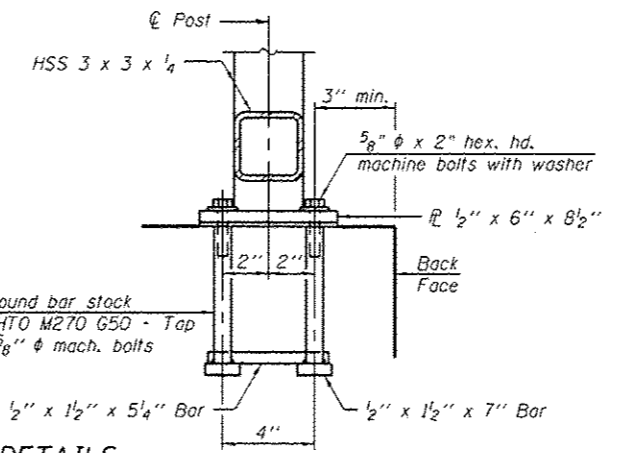
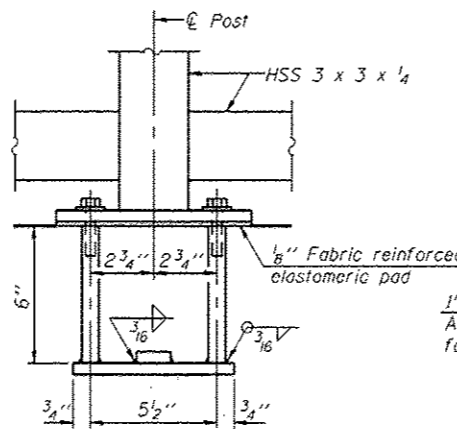
SECTION THRU RAILING



BASE PLATE

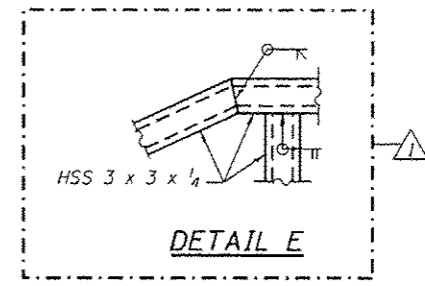


RAIL SPLICE



ANCHOR BOLT DETAILS

In lieu of the cast-in-place anchor device shown, the Contractor has the option of drilling and setting 5/8" ϕ anchor rods according to Article 509.06 of the Standard Specifications. Embedment shall be according to the manufacturer's specifications.



DETAIL E

URS
100 S. WACKER DR.
CHICAGO, IL 60606
TEL (312) 453-9000
FAX (312) 453-9098

FILE NAME : 0162007-60M62-009-Rail.dgn	USER NAME : arwalen_khan	DESIGNED - JCE	REVISED - 04/12/2013 P.M.H.
		CHECKED - PMH	REVISED -
		DRAWN - AMV	REVISED -
		CHECKED - PMH	REVISED -

STATE OF ILLINOIS
DEPARTMENT OF TRANSPORTATION

PARAPET RAILING
STRUCTURE NO. 016-2007

SHEET NO. 9 OF 12 SHEETS

BILL OF MATERIAL

Item	Unit	Quantity
Parapet Railing	Foot	732

F.A.P. RTE. 330	SECTION 103R-5	COUNTY COOK	TOTAL SHEETS 778	SHEET NO. 470
				CONTRACT NO. 60M62
ILLINOIS FED. AID PROJECT				