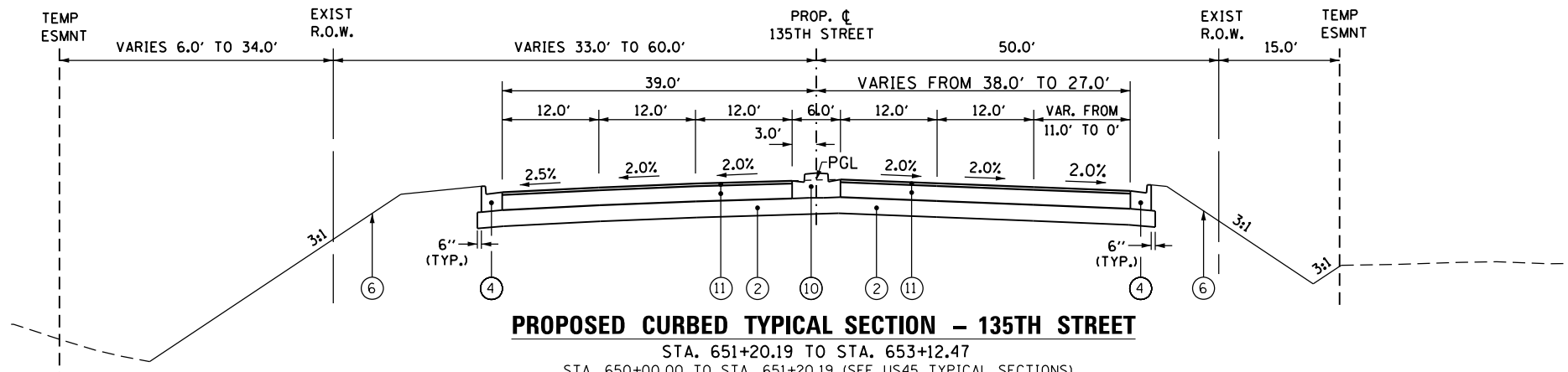
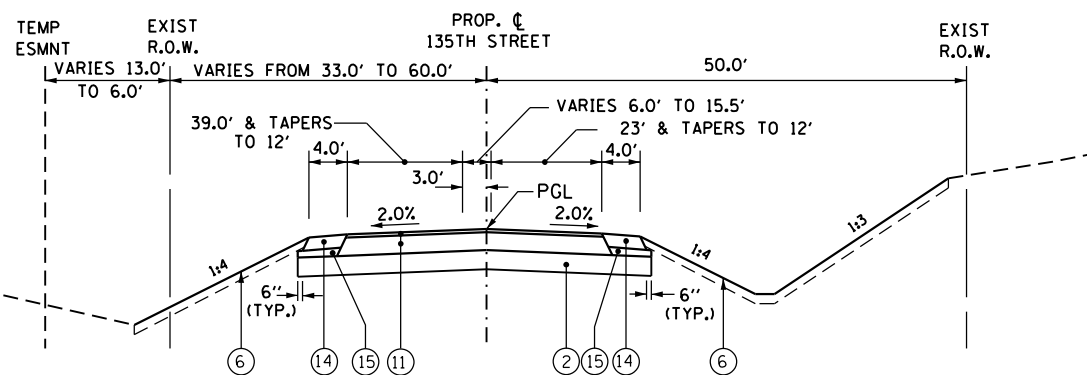


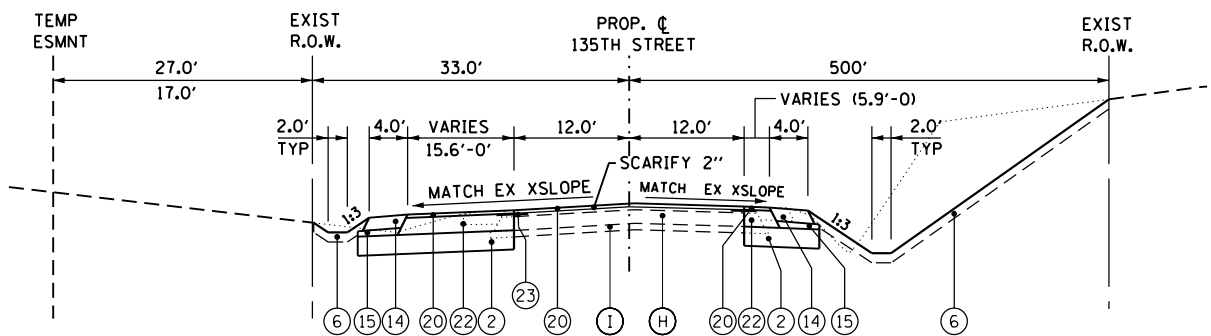
**EXISTING TYPICAL SECTION - 135TH STREET
LOOKING EAST**
STA. 651+20.19 TO STA. 661+07.47



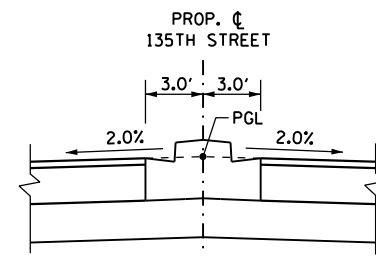
PROPOSED CURBED TYPICAL SECTION - 135TH STREET
STA. 651+20.19 TO STA. 653+12.47
STA. 650+00.00 TO STA. 651+20.19 (SEE US45 TYPICAL SECTIONS)



PROPOSED SHOULDERED TYPICAL SECTION - 135TH STREET
STA. 653+12.47 TO STA. 655+50.00



TYPICAL SECTION - 135TH STREET (RESURFACING AND WIDENING)
STA. 655+50.00 TO STA. 661+07.47



PGL DETAIL AT CURB MEDIAN

EXISTING LEGEND

- (A) EXISTING CONCRETE PAVEMENT, 8" AND VARIES
- (B) EXISTING SUBBASE, 6" AND VARIES
- (C) EXISTING CURB AND GUTTER, TYPE B-6.24
- (D) EXISTING CONCRETE CURB AND GUTTER TYPE M-6.12
- (E) EXISTING SIDEWALK
- (F) PARKWAY (GRASS AREA)
- (G) EXISTING CONCRETE MEDIAN
- (H) EXISTING HOT-MIX ASPHALT PAVEMENT, VARIABLE DEPTH
- (I) EXISTING SUBBASE, VARIABLE DEPTH
- (J) EXISTING AGGREGATE SHOULDER
- (K) EXISTING STABILIZED MEDIAN SURFACE, 12"
- (L) EXISTING CONCRETE CURB AND GUTTER TYPE M-2.12

PROPOSED LEGEND

- (1) PORTLAND CEMENT CONCRETE PAVEMENT, 10" (JOINTED)
- (2) AGGREGATE SUBGRADE IMPROVEMENT 12"
- (3) COMBINATION CONCRETE CURB AND GUTTER TYPE B-6.18 (MODIFIED)
- (4) COMBINATION CONCRETE CURB AND GUTTER TYPE B-6.24
- (5) PORTLAND CEMENT CONCRETE SIDEWALK, 5"
- (6) TOPSOIL AND SOD OR SEED (SALT TOLERANT), SEE LANDSCAPING PLANS
- (7) LONGITUDINAL CONSTRUCTION JOINT GROUTED IN PLACE, NO. 6 TIE BAR AT 24" LONG, DEFORMED (EPOXY COATED) AT 24" CTS. (INCLUDED IN THE COST OF THE PROPOSED PAVEMENT)
- (8) NO. 8 TIE BAR AT 24" LONG, DEFORMED (EPOXY COATED) AT 24" CTS. (INCLUDED IN THE COST OF THE PROPOSED CURB AND GUTTER)
- (9) LANDSCAPE MEDIAN, WIDTH VARIES (SEE NOTE AND LANDSCAPING PLANS FOR DETAILS)
- (10) CONCRETE MEDIAN, TYPE SB-6.18
- (11) HOT-MIX ASPHALT PAVEMENT, 1 1/2" (FULL DEPTH)
HOT-MIX ASPHALT SURFACE COURSE, MIX "D", N70 (2")
HOT-MIX ASPHALT BINDER COURSE, IL-19.0, N70 (10 1/2") (IN 4 LIFTS)
- (12) GEOTECHNICAL FABRIC
- (13) DRILL & GROUT NO. 8 TIE BARS AT 24" CTS (INCLUDED IN THE COST OF CONCRETE MEDIAN, TYPE SB-6.18 OR COMB. CONCRETE C&G TYPE B-6.18 (MOD.))
- (14) HOT-MIX ASPHALT SHOULDERS, 8" (IN 2 LIFTS)
- (15) SUBBASE GRANULAR MATERIAL, TYPE C
- (16) HOT-MIX ASPHALT SURFACE COURSE, MIX "D", N50 (2")
- (17) AGGREGATE BASE COURSE, TYPE B 8"
- (18) LEVELING BINDER (MACHINE METHOD), N70 (3/4" MINIMUM)
- (19) COMBINATION CONCRETE CURB AND GUTTER TYPE B-6.12
- (20) HOT-MIX ASPHALT SURFACE COURSE, MIX "D", N70 (2")
- (21) POLYMERIZED HOT-MIX ASPHALT SURFACE COURSE, MIX "F", N90 (2")
- (22) HOT-MIX ASPHALT BASE COURSE (WIDTH GREATER THAN 6') or
HOT-MIX ASPHALT BASE COURSE WIDENING (WIDTH LESS THAN 6')
HOT-MIX ASPHALT BINDER COURSE, IL-19.0, N90 (11 1/4") (IN 4 LIFTS) (US45)
HOT-MIX ASPHALT BINDER COURSE, IL-19.0, N70 (10 1/2") (IN 4 LIFTS) (SIDE STREETS)
- (23) STRIP REFLECTIVE CRACK CONTROL TREATMENT

100 S. WACKER DR.
SUITE 600
CHICAGO, IL 60606
TEL (312) 939-1000
FAX (312) 939-4998

URS

FILE NAME = D160M62-SHT-TYPICAL05.dgn	USER NAME = Anthony.Plutz	DESIGNED - BA	REVISED -
		DRAWN - BA	REVISED -
		CHECKED -	REVISED -
SHT.PLAN	PLOT DATE = 3/12/2013	DATE - 03/13/13	REVISED -

**STATE OF ILLINOIS
DEPARTMENT OF TRANSPORTATION**

**EXISTING AND PROPOSED TYPICAL SECTIONS
135TH STREET**

SCALE: N.T.S. SHEET 5 OF 7 SHEETS STA. TO STA.

F.A.P. RTE.	SECTION	COUNTY	TOTAL SHEETS	SHEET NO.
330	103R-5	COOK	778	35
TS-05		CONTRACT NO. 60M62		
ILLINOIS FED. AID PROJECT				