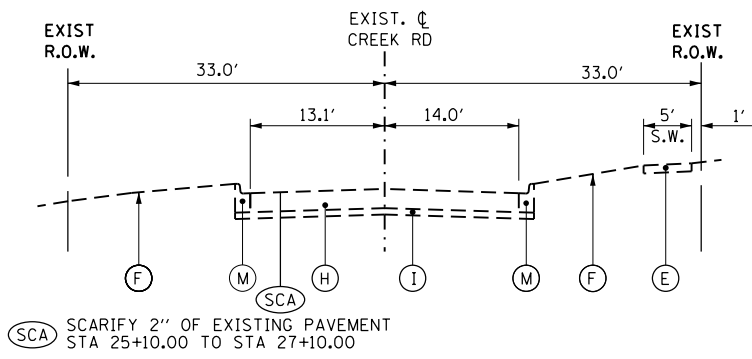
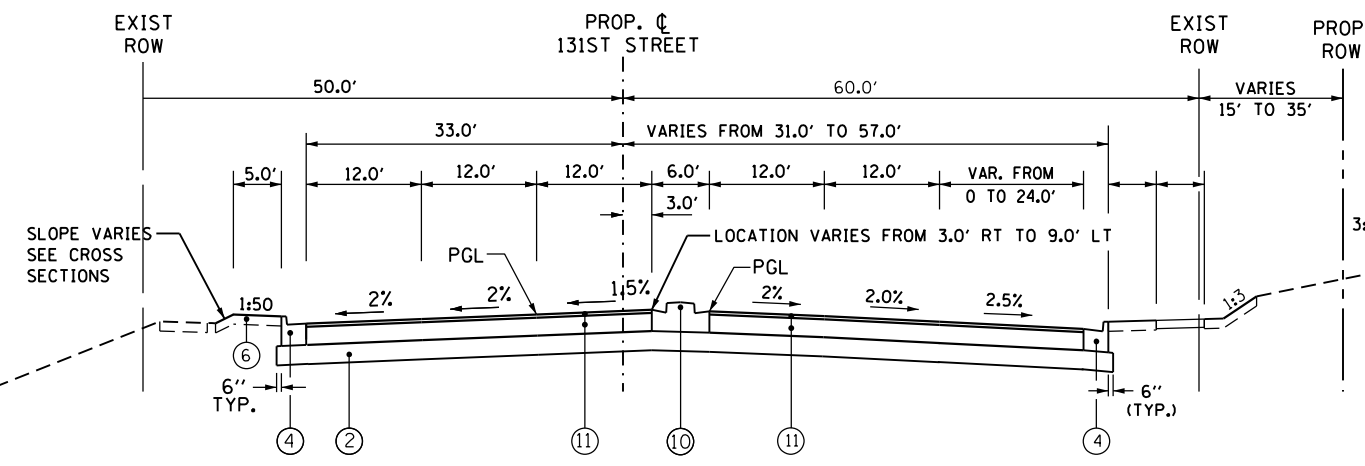


**EXISTING TYPICAL SECTION - 131ST STREET
WEST OF US 45 (LAGRANGE ROAD)**
STA. 11+79.11 TO STA. 17+70

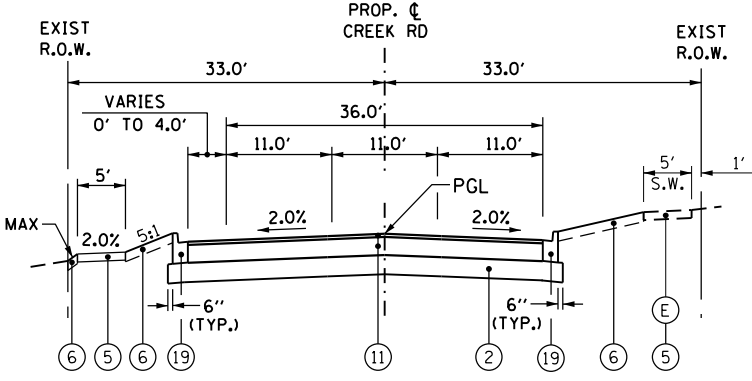
* SIDEWALKS VARY FROM 5.0' WIDE TO 7.0' WIDE. SEE PLANS FOR LOCATIONS



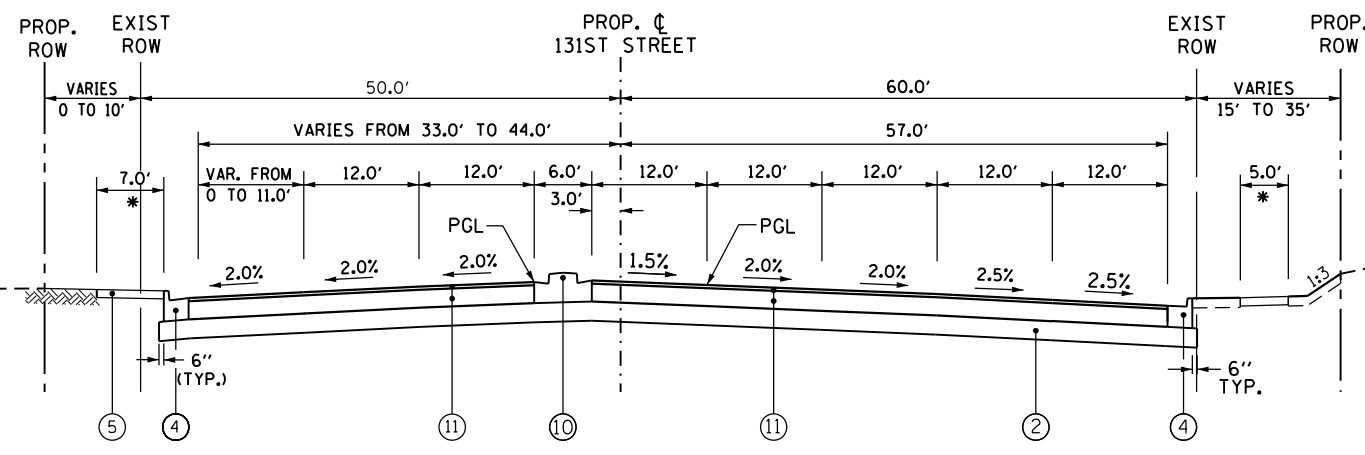
EXISTING TYPICAL SECTION - CREEK ROAD
STA 25+10.00 TO STA 28+24.39



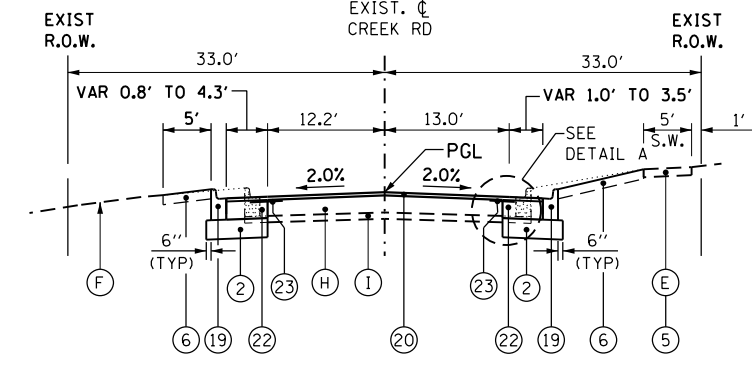
**PROPOSED CURBED TYPICAL SECTION - 131ST STREET
WEST OF US 45 (LAGRANGE ROAD)**
STA. 11+79.11 TO STA. 15+22.00



PROPOSED TYPICAL SECTION - CREEK ROAD
STA 27+10 TO STA 28+24.39 (RECONSTRUCTION)



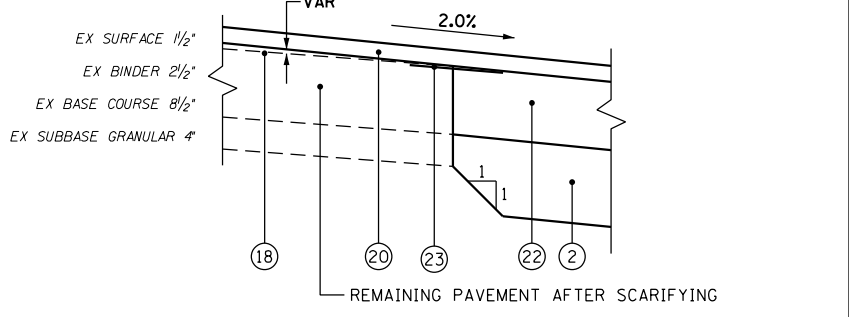
**PROPOSED CURBED TYPICAL SECTION - 131ST STREET
WEST OF US 45 (LAGRANGE ROAD)**
STA. 15+22.00 TO STA 17+39.11
STA. 17+39.11 TO STA. 19+47.94 (PCC PAVEMENT - SEE US 45 TYPICAL SECTIONS)



**PROPOSED TYPICAL SECTION - CREEK ROAD
RESURFACING AND WIDENING**
STA 25+10.00 TO STA 27+10.00

- EXISTING LEGEND**
- (A) EXISTING CONCRETE PAVEMENT, 8" AND VARIES
 - (B) EXISTING SUBBASE, 6" AND VARIES
 - (C) EXISTING CURB AND GUTTER, TYPE B-6.24
 - (D) EXISTING CONCRETE CURB AND GUTTER TYPE M-6.12
 - (E) EXISTING SIDEWALK
 - (F) PARKWAY (GRASS AREA)
 - (G) EXISTING CONCRETE MEDIAN
 - (H) EXISTING HOT-MIX ASPHALT PAVEMENT, VARIABLE DEPTH
 - (I) EXISTING SUBBASE, VARIABLE DEPTH
 - (J) EXISTING AGGREGATE SHOULDER
 - (K) EXISTING STABILIZED MEDIAN SURFACE, 12"
 - (L) EXISTING CONCRETE CURB AND GUTTER TYPE M-2.12

- PROPOSED LEGEND**
- (1) PORTLAND CEMENT CONCRETE PAVEMENT, 10" (JOINTED)
 - (2) AGGREGATE SUBGRADE IMPROVEMENT 12"
 - (3) COMBINATION CONCRETE CURB AND GUTTER TYPE B-6.18 (MODIFIED)
 - (4) COMBINATION CONCRETE CURB AND GUTTER TYPE B-6.24
 - (5) PORTLAND CEMENT CONCRETE SIDEWALK, 5"
 - (6) TOPSOIL AND SOD OR SEED (SALT TOLERANT), SEE LANDSCAPING PLANS
 - (7) LONGITUDINAL CONSTRUCTION JOINT GROUTED IN PLACE, NO. 6 TIE BAR AT 24" LONG, DEFORMED (EPOXY COATED) AT 24" CTS. (INCLUDED IN THE COST OF THE PROPOSED PAVEMENT)
 - (8) NO. 8 TIE BAR AT 24" LONG, DEFORMED (EPOXY COATED) AT 24" CTS. (INCLUDED IN THE COST OF THE PROPOSED CURB AND GUTTER)
 - (9) LANDSCAPE MEDIAN, WIDTH VARIES (SEE NOTE AND LANDSCAPING PLANS FOR DETAILS)
 - (10) CONCRETE MEDIAN, TYPE SB-6.18
 - (11) HOT-MIX ASPHALT PAVEMENT, 11 1/2" (FULL DEPTH)
HOT-MIX ASPHALT SURFACE COURSE, MIX "D", N70 (2")
HOT-MIX ASPHALT BINDER COURSE, IL-19.0, N70 (10 1/2") (IN 4 LIFTS)
 - (12) GEOTECHNICAL FABRIC
 - (13) DRILL & GROUT NO. 8 TIE BARS AT 24" CTS (INCLUDED IN THE COST OF CONCRETE MEDIAN, TYPE SB-6.18 OR COMB. CONCRETE C&G TYPE B-6.18 (MOD.))
 - (14) HOT-MIX ASPHALT SHOULDERS, 8" (IN 2 LIFTS)
 - (15) SUBBASE GRANULAR MATERIAL, TYPE C
 - (16) HOT-MIX ASPHALT SURFACE COURSE, MIX "D", N50 (2")
 - (17) AGGREGATE BASE COURSE, TYPE B 8"
 - (18) LEVELING BINDER (MACHINE METHOD), N70 (3/4" MINIMUM)
 - (19) COMBINATION CONCRETE CURB AND GUTTER TYPE B-6.12
 - (20) HOT-MIX ASPHALT SURFACE COURSE, MIX "D", N70 (2")
 - (21) POLYMERIZED HOT-MIX ASPHALT SURFACE COURSE, MIX "F", N90 (2")
 - (22) HOT-MIX ASPHALT BASE COURSE (WIDTH GREATER THAN 6') or
HOT-MIX ASPHALT BASE COURSE WIDENING (WIDTH LESS THAN 6')
HOT-MIX ASPHALT BINDER COURSE, IL-19.0, N90 (11 1/4") (IN 4 LIFTS) (US45)
HOT-MIX ASPHALT BINDER COURSE, IL-19.0, N70 (10 1/2") (IN 4 LIFTS) (SIDE STREETS)
 - (23) STRIP REFLECTIVE CRACK CONTROL TREATMENT



DETAIL A
CROSS STREETS

100 S. WACKER DR.
 SUITE 600
 CHICAGO, IL 60606
 TEL (312) 939-1000
 FAX (312) 939-4998
URS

| | | | |
|---------------------------------------|---------------------------|----------------|-----------|
| FILE NAME = D160M62-SHT-TYPICAL07.dgn | USER NAME = Anthony.Plutz | DESIGNED - JTF | REVISED - |
| PLOT SCALE = 20.0000' / in. | CHECKED - | DRAWN - JTF | REVISED - |
| PLOT DATE = 3/12/2013 | DATE - 03/13/13 | | REVISED - |

**STATE OF ILLINOIS
DEPARTMENT OF TRANSPORTATION**

| | |
|---|---------------------|
| EXISTING AND PROPOSED TYPICAL SECTIONS 131ST STREET AND CREEK ROAD | |
| SCALE: N.T.S. | SHEET 7 OF 7 SHEETS |
| STA. | TO STA. |

| | | | | |
|---------------------------|----------------|--------------------|------------------|--------------|
| F.A.P. RTE. 330 | SECTION 103R-5 | COUNTY COOK | TOTAL SHEETS 778 | SHEET NO. 37 |
| TS-07 | | CONTRACT NO. 60M62 | | |
| ILLINOIS FED. AID PROJECT | | | | |