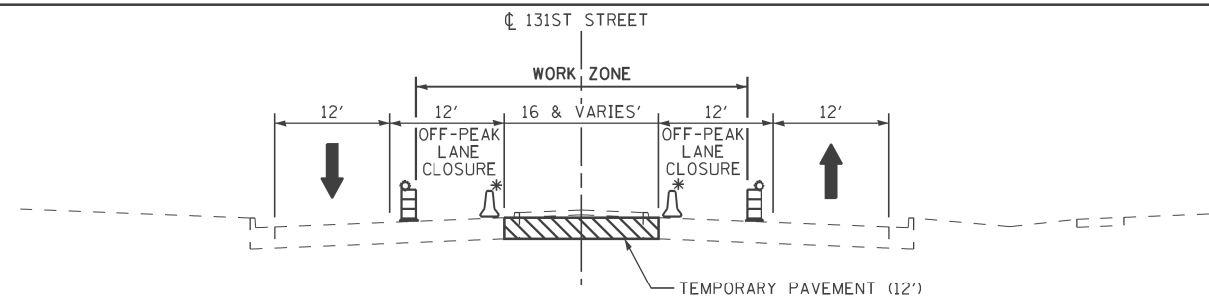
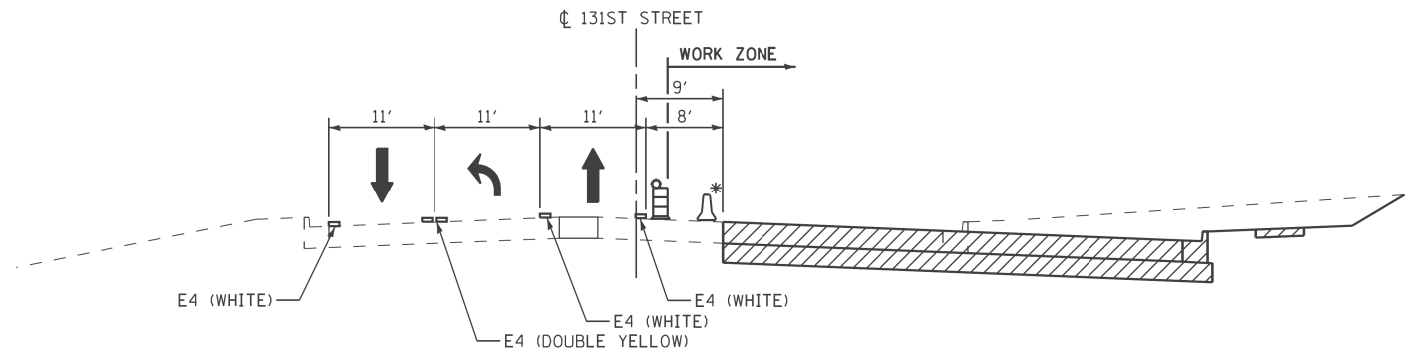


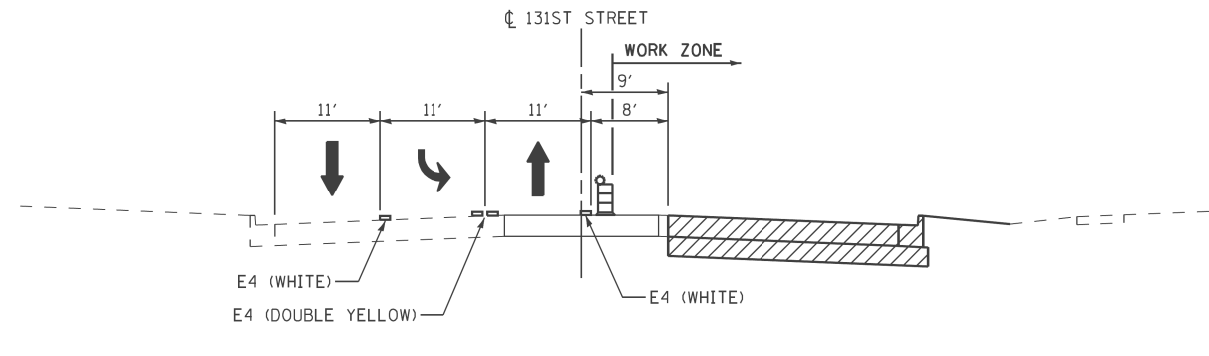
**131ST STREET TYPICAL SECTION - PRE-STAGE (OFF PEAK)
(WEST OF LAGRANGE ROAD)**



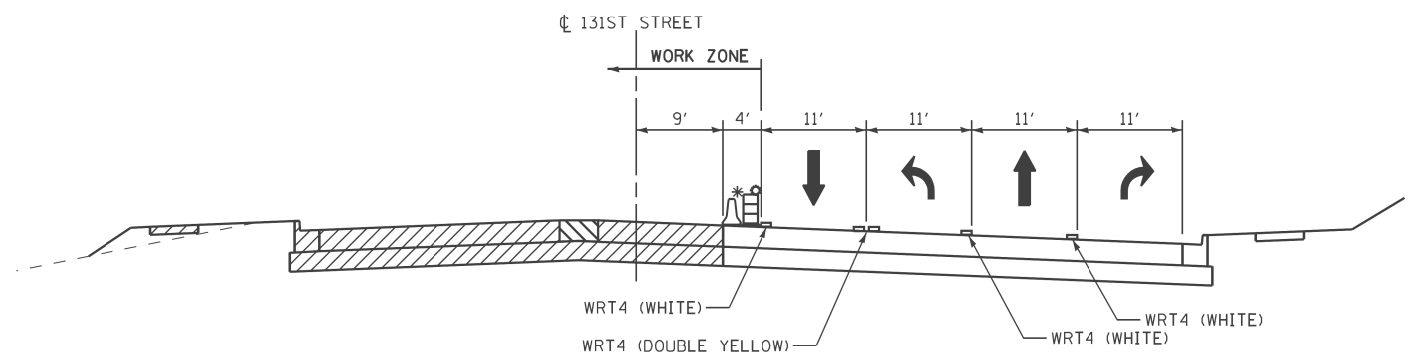
**131ST STREET TYPICAL SECTION - PRE-STAGE (OFF PEAK)
(EAST OF LAGRANGE ROAD)**



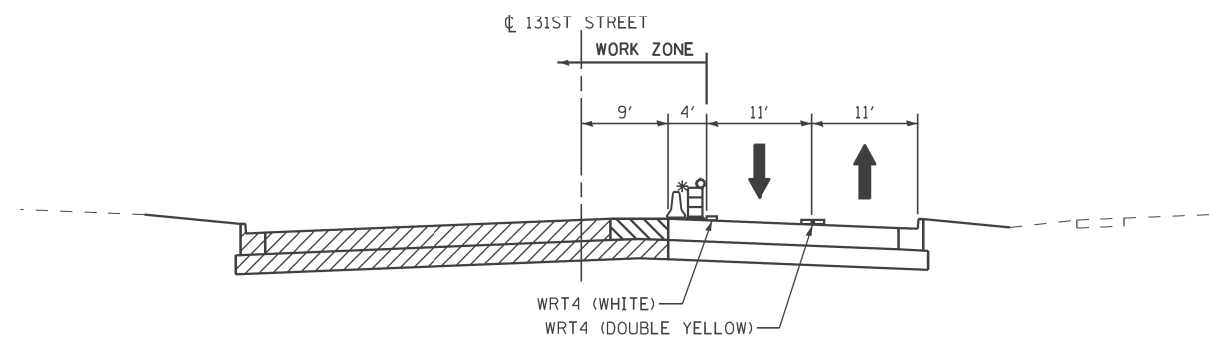
**131ST STREET TYPICAL SECTION - STAGE A
(WEST OF LAGRANGE ROAD)**



**131ST STREET TYPICAL SECTION - STAGE A
(EAST OF LAGRANGE ROAD)**

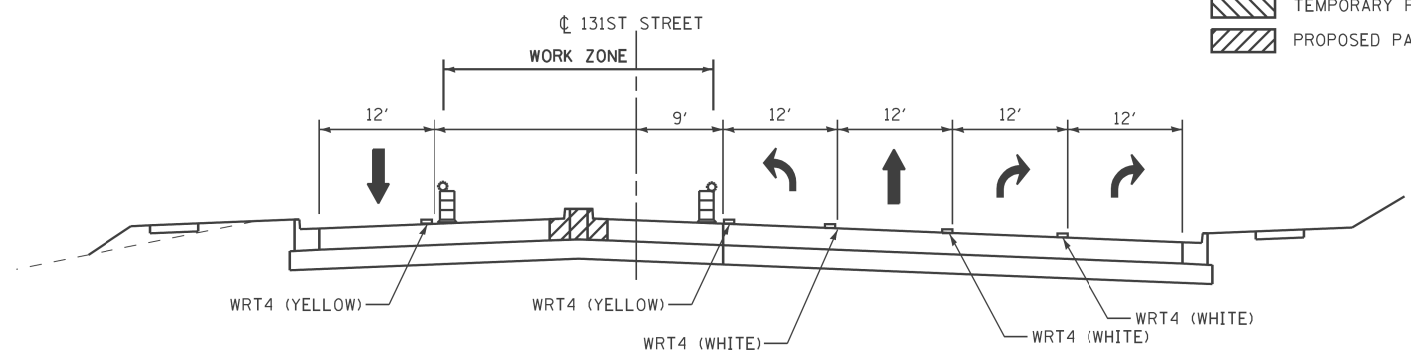


**131ST STREET TYPICAL SECTION - STAGE B
(WEST OF LAGRANGE ROAD)**

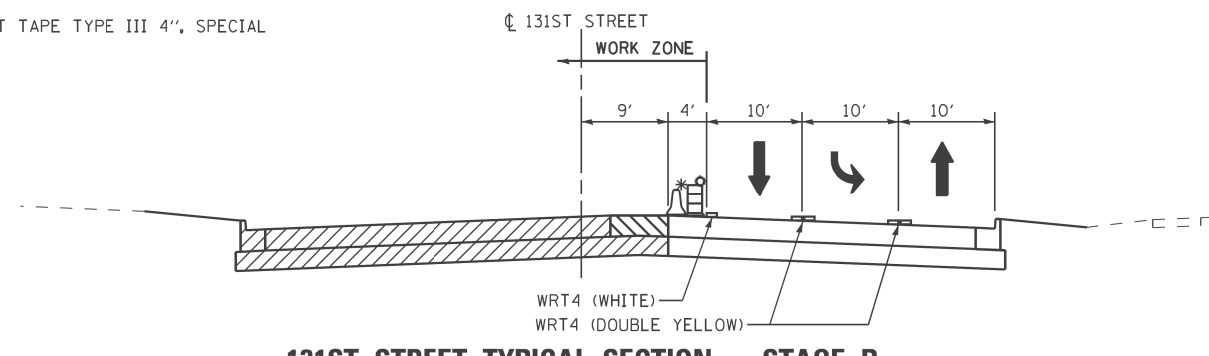


**131ST STREET TYPICAL SECTION - STAGE B
(EAST OF LAGRANGE ROAD)**

LEGEND
 E4 = EPOXY PAVEMENT MARKING - LINE 4"
 WRT4 = WET REFLECTIVE TEMPORARY PAVEMENT TAPE TYPE III 4", SPECIAL
 [Hatched Box] TEMPORARY PAVEMENT
 [Diagonal Lines Box] PROPOSED PAVEMENT



**131ST STREET TYPICAL SECTION - STAGE C
(WEST OF LAGRANGE ROAD)**



**131ST STREET TYPICAL SECTION - STAGE B
AT THE INTERSECTION WITH LAGRANGE ROAD
(EAST OF LAGRANGE ROAD)**

* USE TEMPORARY CONCRETE BARRIER WHEN DROP-OFF HEIGHT IS ≥ 24".

100 S. WACKER DR.
 SUITE 500
 CHICAGO, IL 60606
 TEL (312) 939-1000
 FAX (312) 939-4998
URS

FILE NAME = P:\P-12-9\50_IDOT-URS-US 45 (LaGrange Road) North Segment_60M62\Design\Sh\160M62-SHT-DRAWING06.dgn	USER NAME = hbdell	DESIGNED - YSK	REVISED -	STATE OF ILLINOIS DEPARTMENT OF TRANSPORTATION	MAINTENANCE OF TRAFFIC TYPICAL SECTIONS	F.A.P. RTE. = 330	SECTION = 103R-5	COUNTY = COOK	TOTAL SHEETS = 778	SHEET NO. = 92		
SHT.PLAN	PLOT SCALE = #SCALE#	CHECKED -	REVISED -			SCALE:	SHEET	STA.	TO STA.	MN-07		
	PLOT DATE = 2/1/2013	DATE = 03/13/13	REVISED -			ILLINOIS FED. AID PROJECT						
CONTRACT NO.												