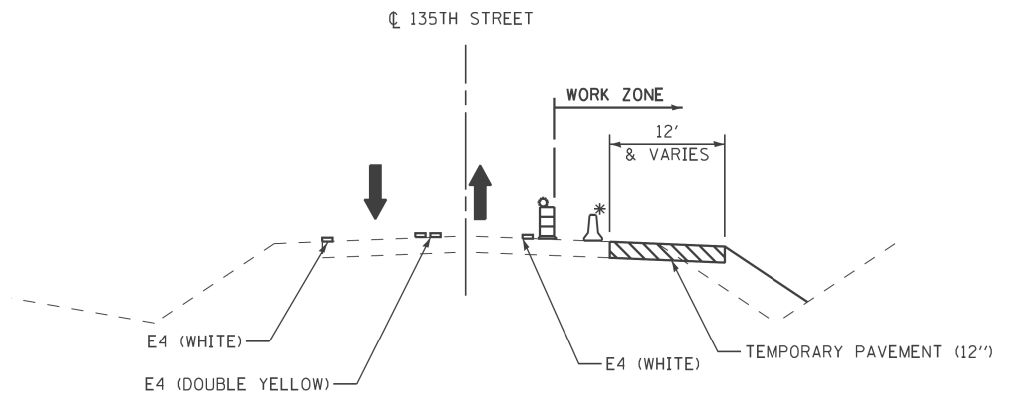
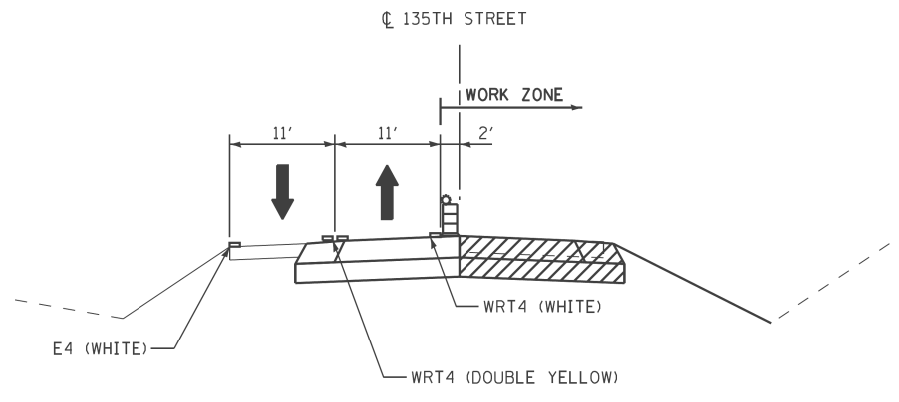


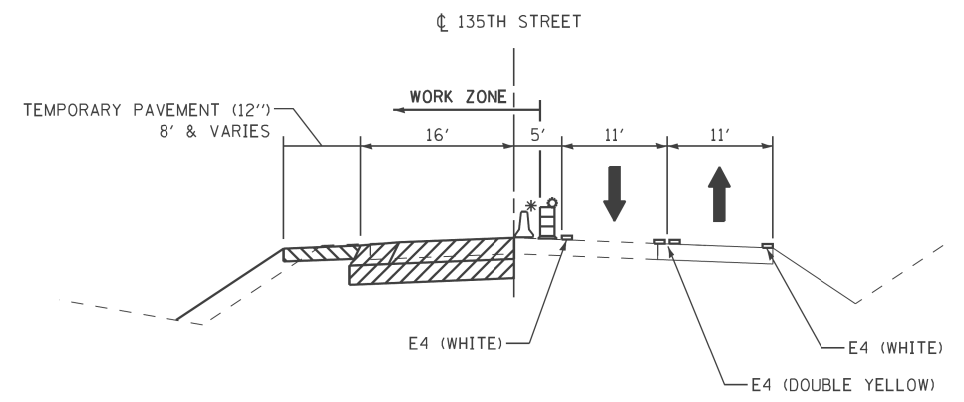
**131ST STREET TYPICAL SECTION - STAGE C
(EAST OF LAGRANGE ROAD)**



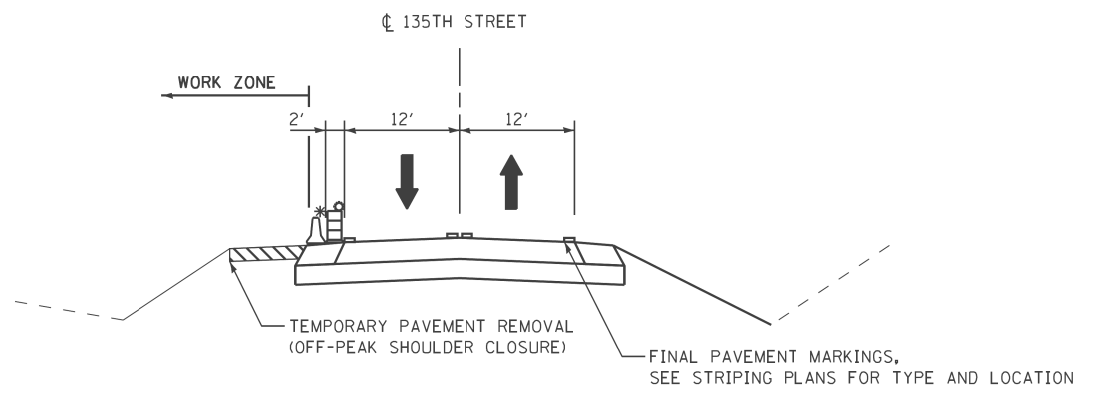
135TH STREET TYPICAL SECTION - PRE-STAGE (OFF PEAK)



135TH STREET TYPICAL SECTION - STAGE B



135TH STREET TYPICAL SECTION - STAGE A



135TH STREET TYPICAL SECTION - STAGE C (OFF PEAK)

- LEGEND**
- E4 = EPOXY PAVEMENT MARKING - LINE 4"
 - WRT4 = WET REFLECTIVE TEMPORARY PAVEMENT TAPE TYPE III 4", SPECIAL
 - TEMPORARY PAVEMENT
 - PROPOSED PAVEMENT

* USE TEMPORARY CONCRETE BARRIER WHEN DROP-OFF HEIGHT IS 24".

100 S. WACKER DR.
SUITE 500
CHICAGO, IL 60606
TEL (312) 939-1000
FAX (312) 939-4998



FILE NAME =	USER NAME = hbdell	DESIGNED - YSK	REVISED -
P:\P-12-9\50_IDOT-URS_US_45 (LaGrange Road) \North Segment_60M62\Design\Shd\160M62-SHT PLAN.dgn		DRAWN BY YSK	REVISED -
PLOT SCALE = #SCALE#	CHECKED -	REVISOR -	REVISED -
SHT.PLAN	PLOT DATE = 2/1/2013	DATE - 03/13/13	REVISED -

**STATE OF ILLINOIS
DEPARTMENT OF TRANSPORTATION**

**MAINTENANCE OF TRAFFIC
TYPICAL SECTIONS**

SCALE: SHEET STA. TO STA.

F.A.P. RTE.	SECTION	COUNTY	TOTAL SHEETS	SHEET NO.
330	103R-5	COOK	778	93
MN-08			CONTRACT NO.	
ILLINOIS FED. AID PROJECT				