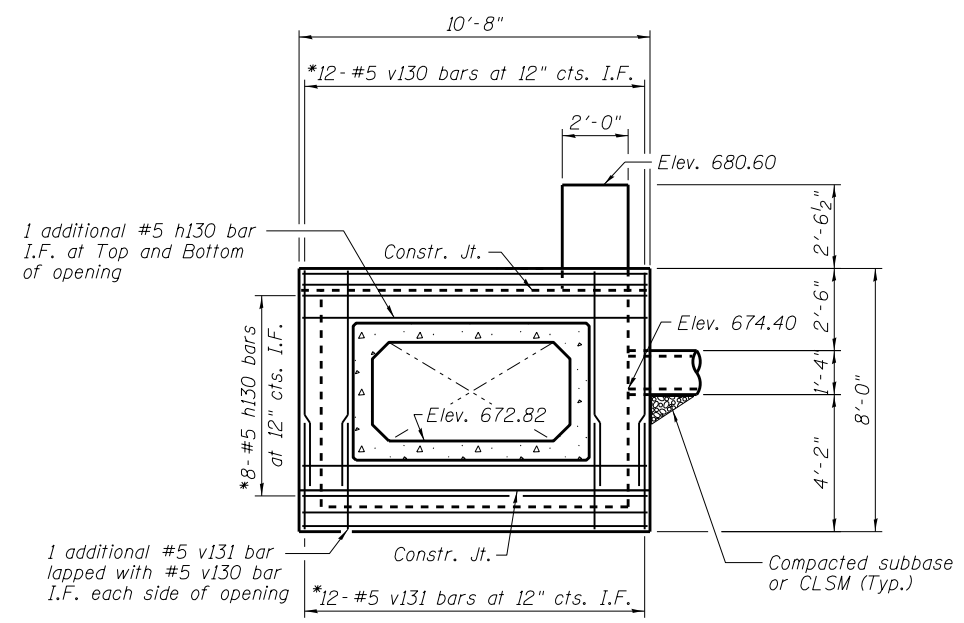
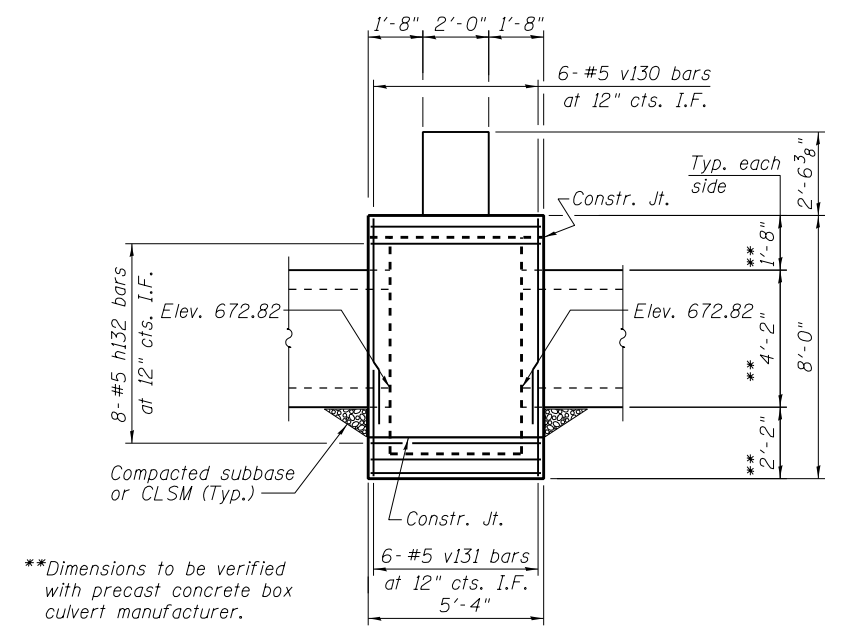


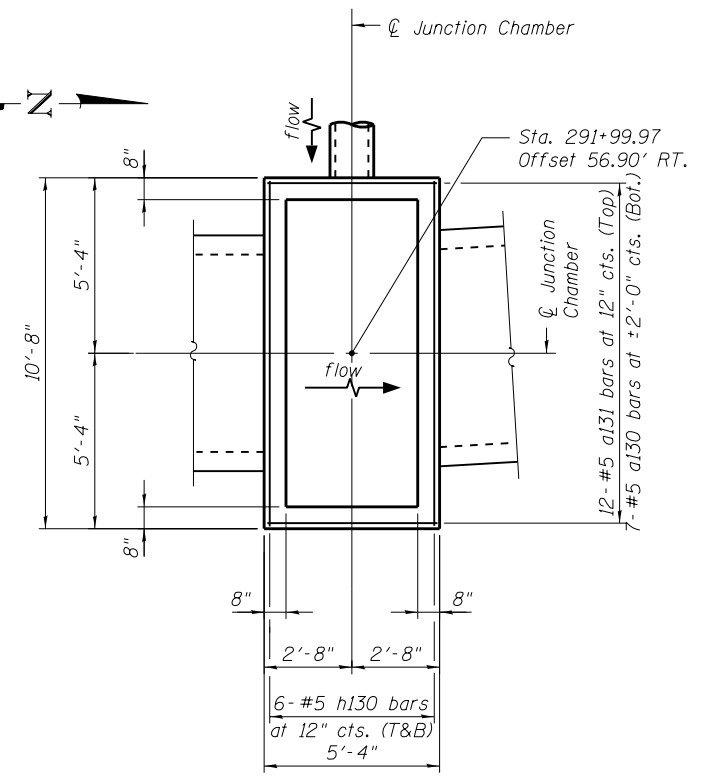
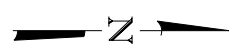
TOP PLAN
*Trim to fit around opening



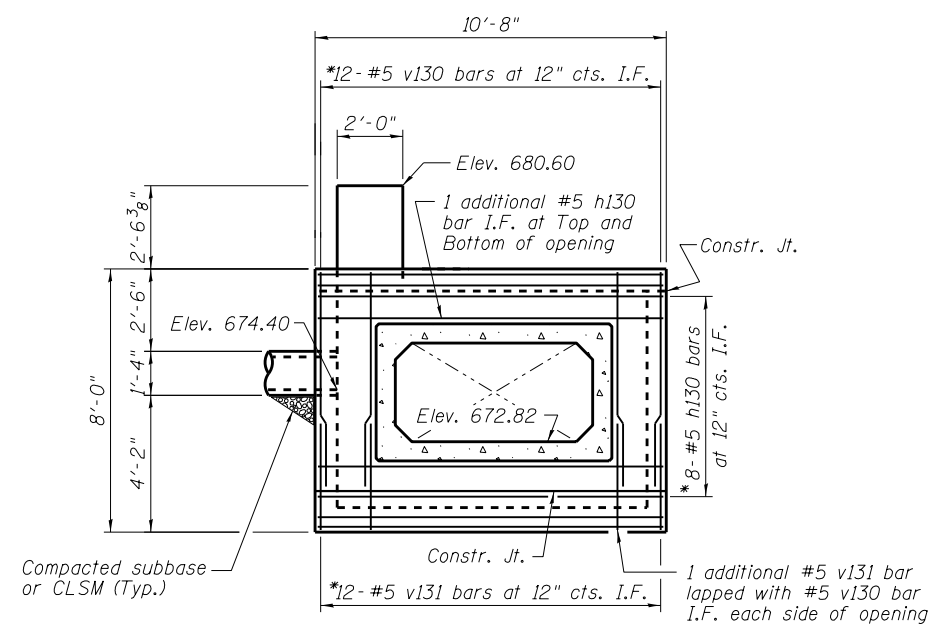
NORTH ELEVATION
(Looking South)
*Trim to fit around opening



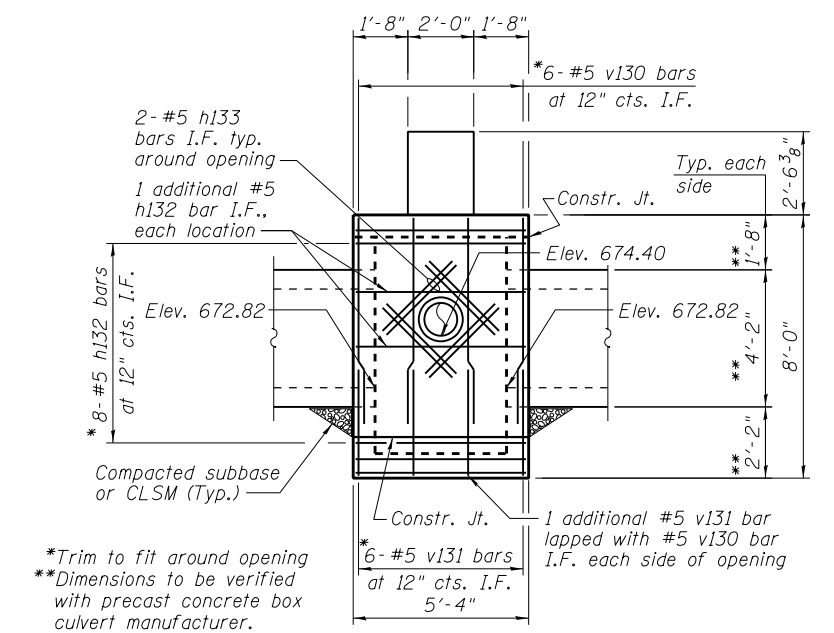
EAST ELEVATION
(Looking West)
*Dimensions to be verified with precast concrete box culvert manufacturer.



BOTTOM PLAN



SOUTH ELEVATION
(Looking North)
*Trim to fit around opening



*Trim to fit around opening
**Dimensions to be verified with precast concrete box culvert manufacturer.

WEST ELEVATION
(Looking East)

100 S. WACKER DR.
 CHICAGO, IL 60606
 TEL (312) 939-1000
 FAX (312) 939-4998
URS

FILE NAME = D160M62-SHT-JC3-01.dgn	USER NAME = Anthony.Plutz	DESIGNED - PMH	REVISED -
		CHECKED - MJL	REVISED -
		PLOT SCALE = 5:1 @ 1/4" = 1'-0"	REVISED -
		DRAWN - AMV	REVISED -
		CHECKED - PMH	REVISED -
		PLOT DATE = 3/12/2013	

STATE OF ILLINOIS
DEPARTMENT OF TRANSPORTATION

JUNCTION CHAMBER NO. 3
PLANS AND ELEVATIONS

SHEET NO. 1 OF 2 SHEETS

F.A.P. RTE.	SECTION	COUNTY	TOTAL SHEETS	SHEET NO.
330	103R-5	COOK	778	221
CONTRACT NO. 60M62				
ILLINOIS FED. AID PROJECT				