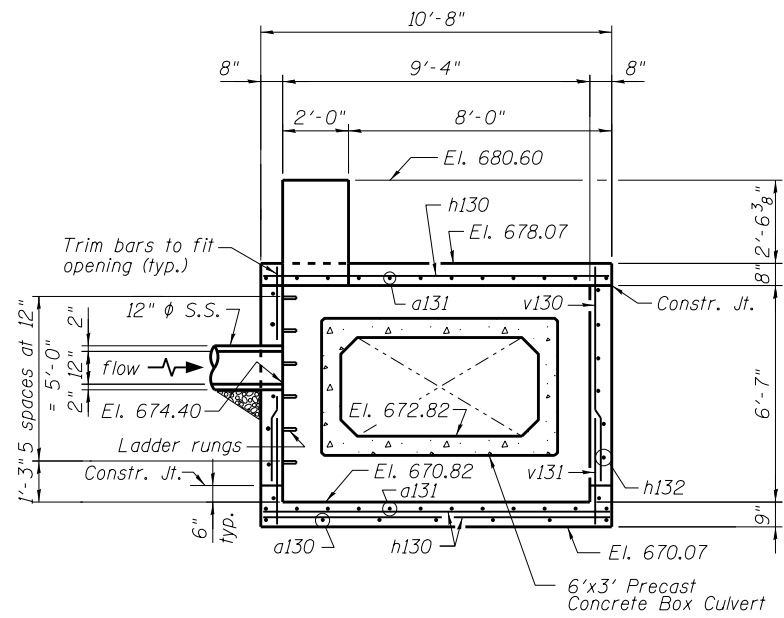
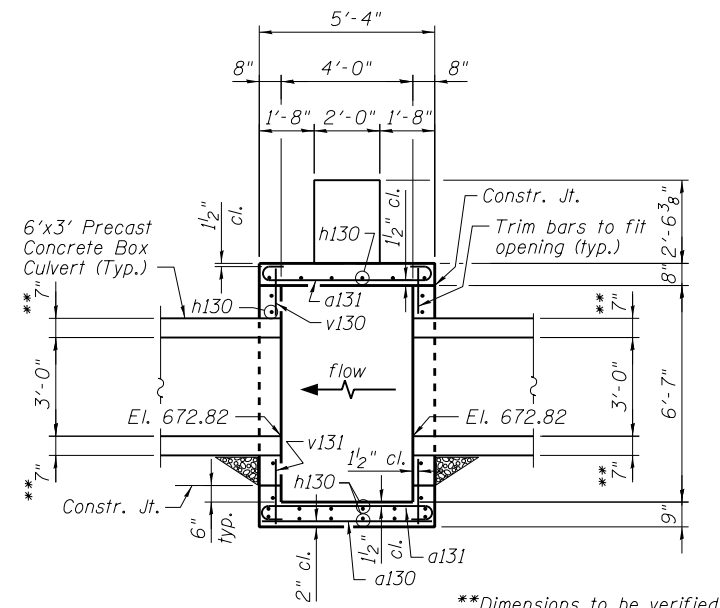


Notes:
 Bars indicated thus 12x4-#5 etc. indicates 12 lines of bars with 4 lengths per line.
 Reinforcement bars shall conform to the requirements of ASTM A 706 Gr 60. See Special Provisions.



SECTION A-A

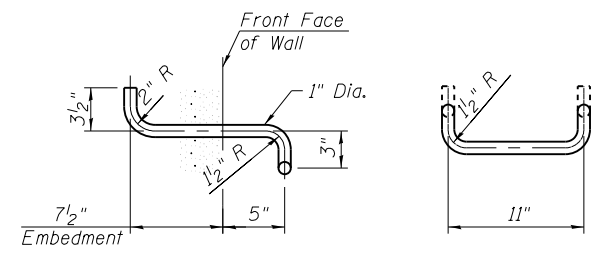


SECTION B-B

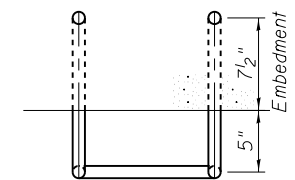
**Dimensions to be verified with precast concrete box culvert manufacturer.

BILL OF MATERIAL

Bar	No.	Size	Length	Shape
a130	7	#5	5'-0"	—
a131	25	#5	6'-3"	⌋
h130	40	#5	10'-4"	—
h131	8	#5	2'-9"	⌋
h132	18	#5	5'-1"	—
h133	8	#5	3'-0"	—
v130	42	#5	6'-6"	—
v131	42	#5	2'-4"	—
Structure Excavation			Cu. Yd.	56
Concrete Structures			Cu. Yd.	6.2
Reinforcement Bars			Pound	1,170



TYPE Z LADDER RUNG ELEVATIONS



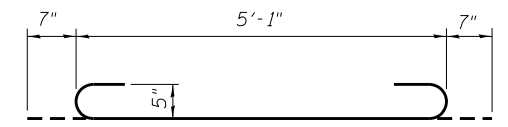
TYPE Z LADDER RUNG PLAN

- The ladder rungs shall be aluminum, conforming to ASTM B361-Alloy 6061-T6 or shall be ductile iron. Aluminum ladder rungs shall receive a heavy coat of bituminous paint or cold applied asphaltic mastic for the portion embedded in concrete. The coating must extend beyond the embedment at least two inches.
- The contractor may submit an alternative ladder rung detail for Engineer's approval.

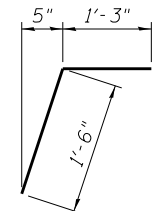
DESIGN STRESSES

$f_y = 60,000 \text{ psi}$
 $f'_c = 3,500 \text{ psi}$

Note: All costs for compacted subbase or CLSM, ladder rungs and all other appurtenances required to complete this work shall be included in the item "Concrete Structures."



BAR a131



BAR h131

URS
 100 S. WACKER DR.
 SUITE 600
 CHICAGO, IL 60606
 TEL (312) 939-1000
 FAX (312) 939-4998