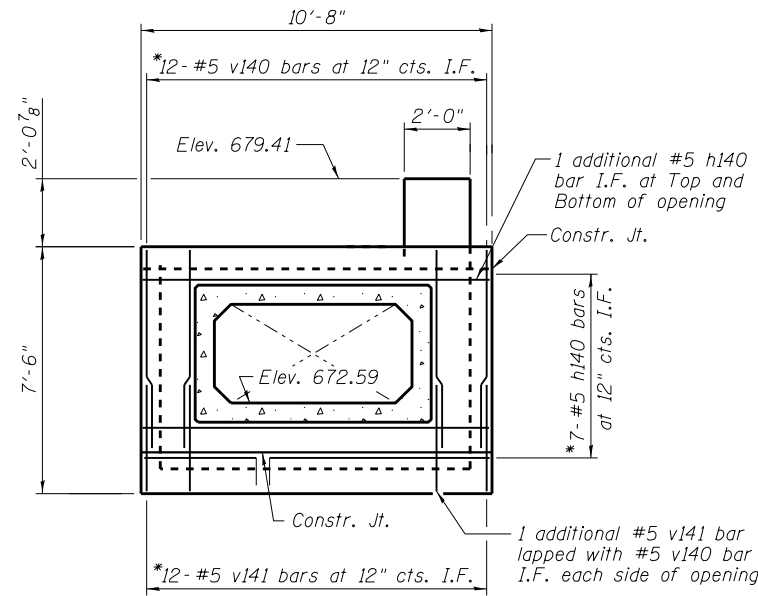


TOP PLAN

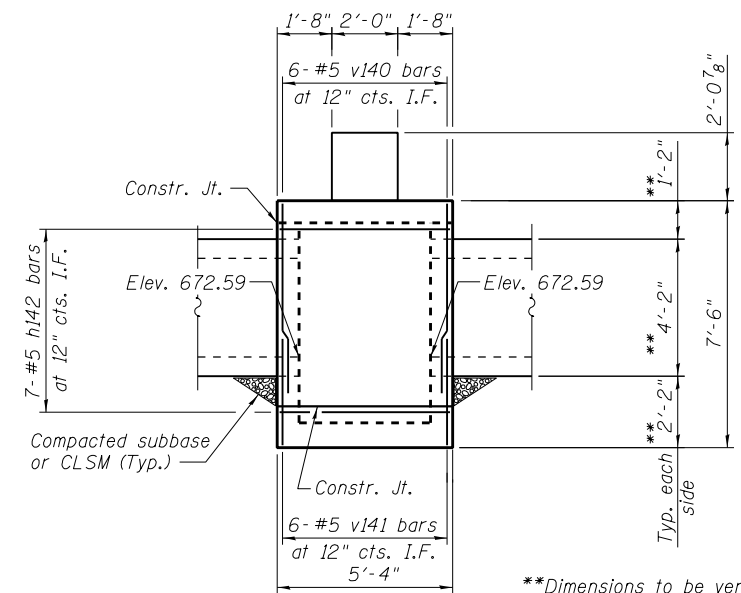
*Trim to fit around opening



NORTH ELEVATION

(Looking South)

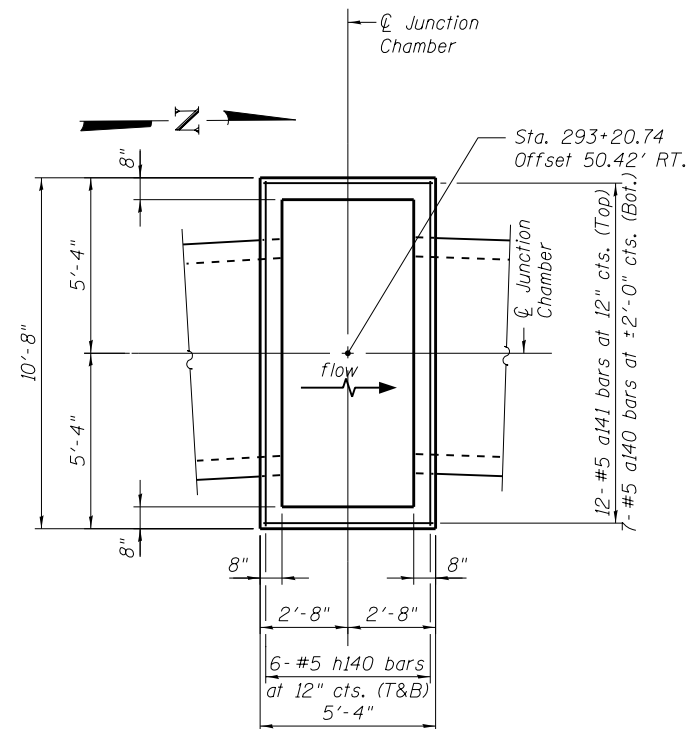
*Trim to fit around opening



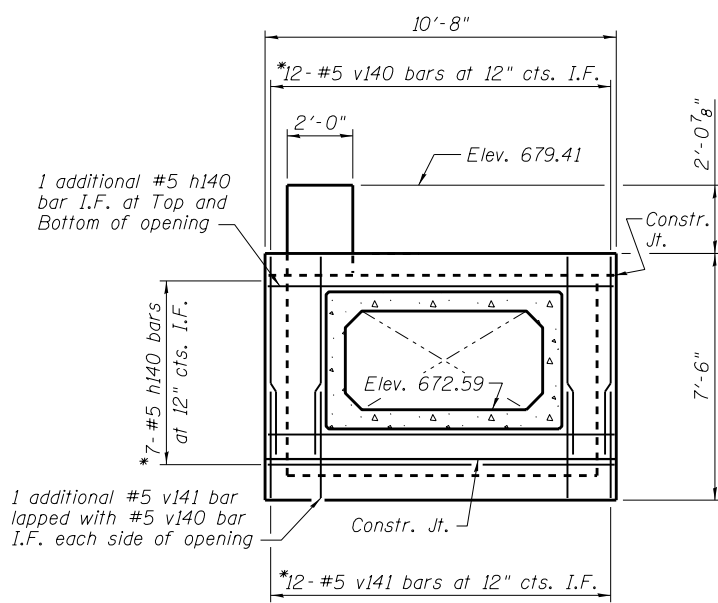
EAST ELEVATION

(Looking West)

**Dimensions to be verified with precast concrete box culvert manufacturer.



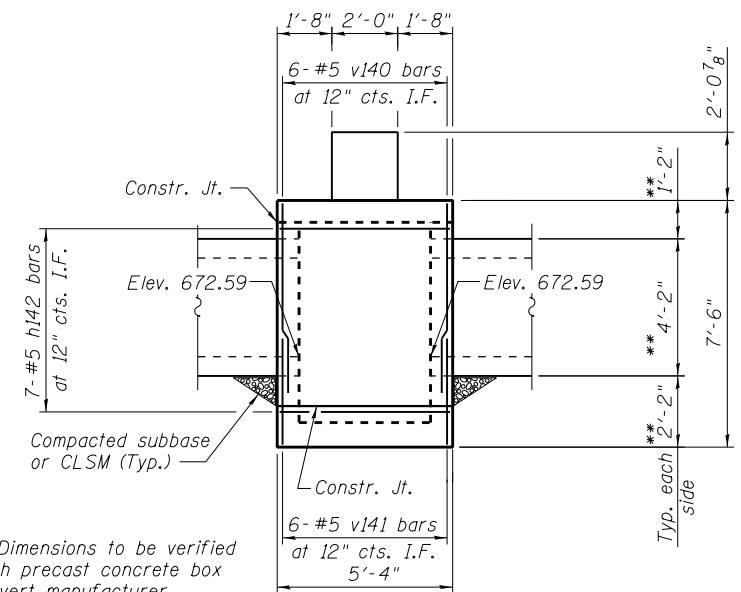
BOTTOM PLAN



SOUTH ELEVATION

(Looking North)

*Trim to fit around opening



WEST ELEVATION

(Looking East)

**Dimensions to be verified with precast concrete box culvert manufacturer.

100 S. WACKER DR.
SUNTEC
CHICAGO, IL 60606
TEL (312) 939-1000
FAX (312) 939-4998



FILE NAME =	USER NAME = Anthony.Plutz	DESIGNED - PMH	REVISED -
D160M62-SHT-JC4-01.dgn		CHECKED - MJL	REVISED -
		DRAWN - AMV	REVISED -
		CHECKED - PMH	REVISED -

PLOT SCALE = 5:10.0000 '1' / in.
PLOT DATE = 3/12/2013

STATE OF ILLINOIS
DEPARTMENT OF TRANSPORTATION

JUNCTION CHAMBER NO. 4
PLANS AND ELEVATIONS

SHEET NO. 1 OF 2 SHEETS

F.A.P. RTE.	SECTION	COUNTY	TOTAL SHEETS	SHEET NO.
330	103R-5	COOK	778	223
CONTRACT NO. 60M62				

ILLINOIS FED. AID PROJECT