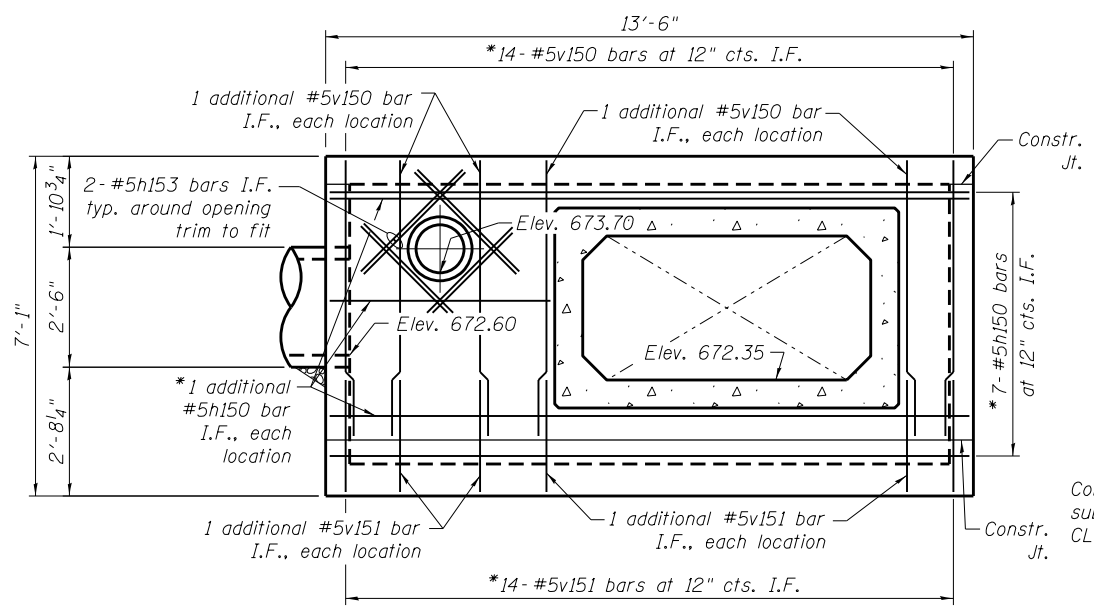


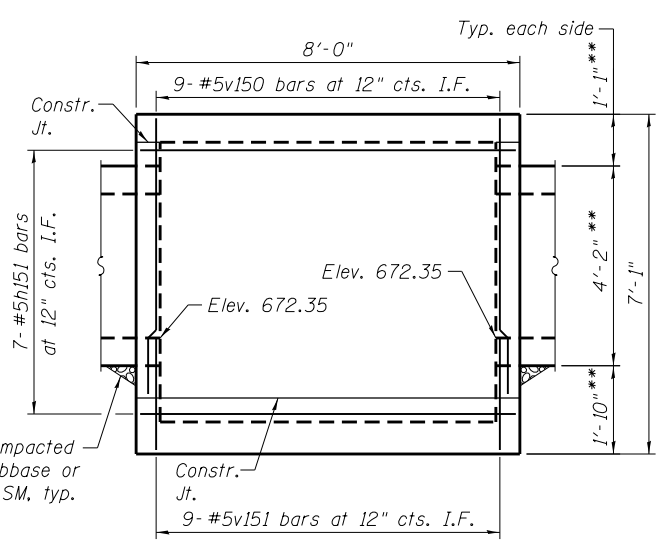
**TOP PLAN**

\* Trim to fit around opening



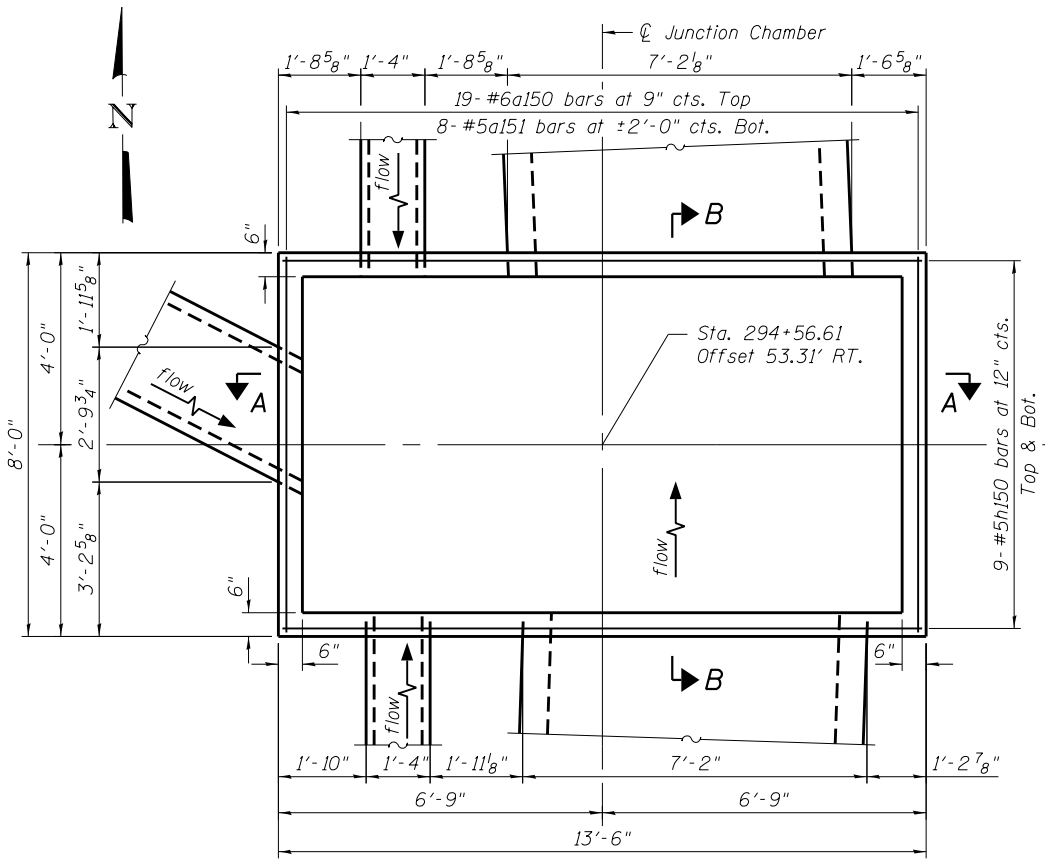
**NORTH ELEVATION**

(Looking South)  
\* Trim to fit around opening

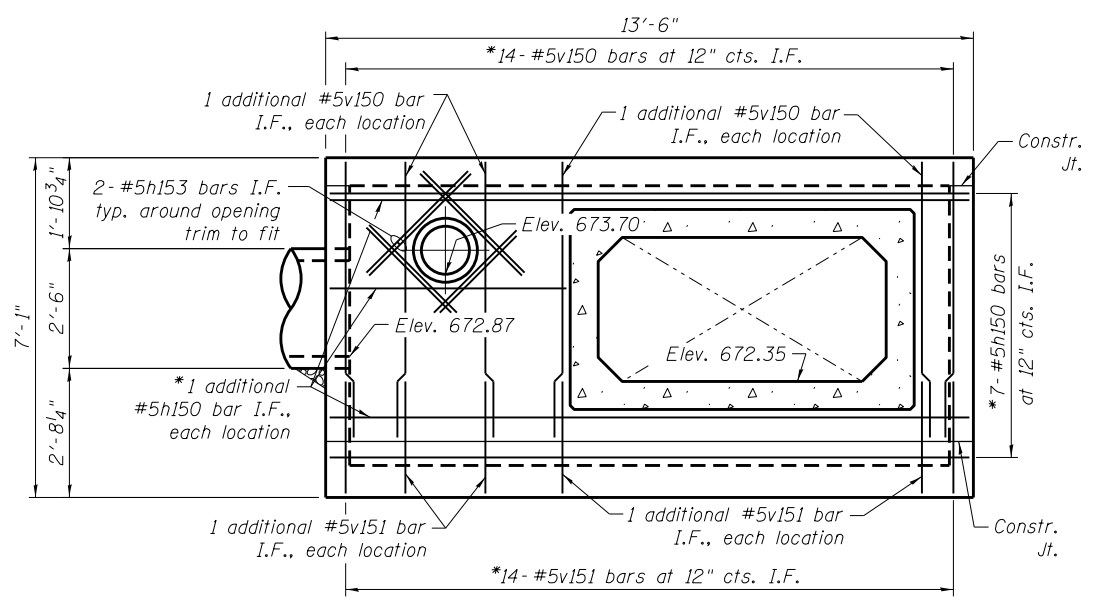


**EAST ELEVATION**

(Looking West)  
\* Trim to fit around opening  
\*\* Dimensions to be verified with precast concrete box culvert manufacturer.

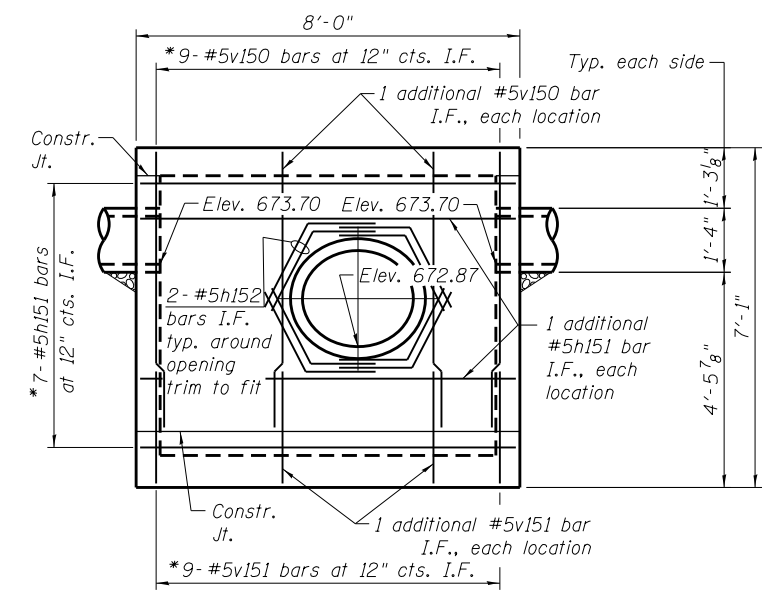


**BOTTOM PLAN**



**SOUTH ELEVATION**

(Looking North)  
\* Trim to fit around opening



**WEST ELEVATION**

(Looking East)  
\* Trim to fit around opening

100 S. WACKER DR.  
100 S. WACKER DR.  
CHICAGO, IL 60606  
TEL (312) 939-1000  
FAX (312) 939-4998



FILE NAME =	USER NAME = Anthony.Plutz	DESIGNED - PMH	REVISED -
D160M62-SHT-JC5-01.dgn		CHECKED - MJL	REVISED -
		DRAWN - PMH	REVISED -
		CHECKED - MJL	REVISED -

STATE OF ILLINOIS  
DEPARTMENT OF TRANSPORTATION

JUNCTION CHAMBER NO. 5  
PLANS AND ELEVATIONS

SHEET NO. 1 OF 2 SHEETS

F.A.P. RTE.	SECTION	COUNTY	TOTAL SHEETS	SHEET NO.
330	103R-5	COOK	778	225
CONTRACT NO. 60M62				

ILLINOIS FED. AID PROJECT