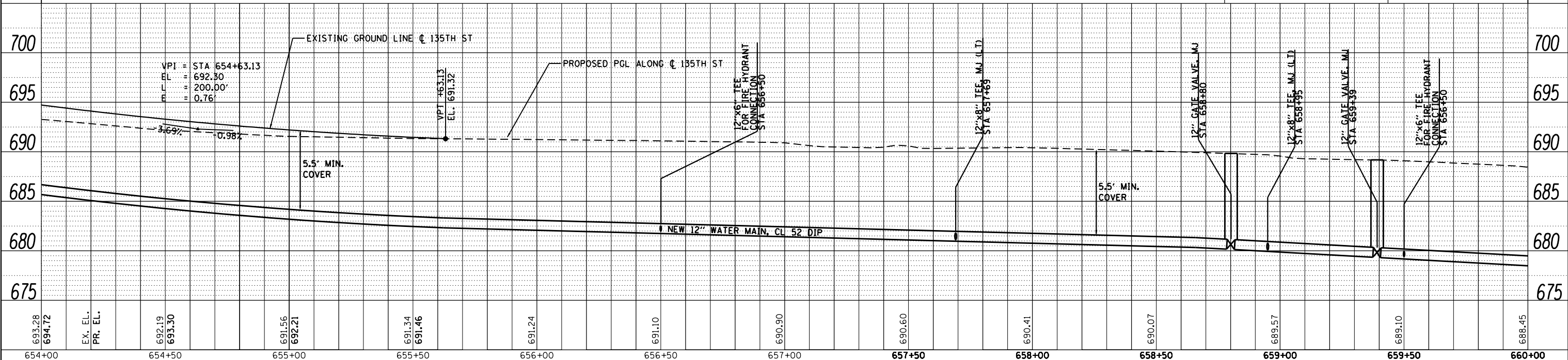
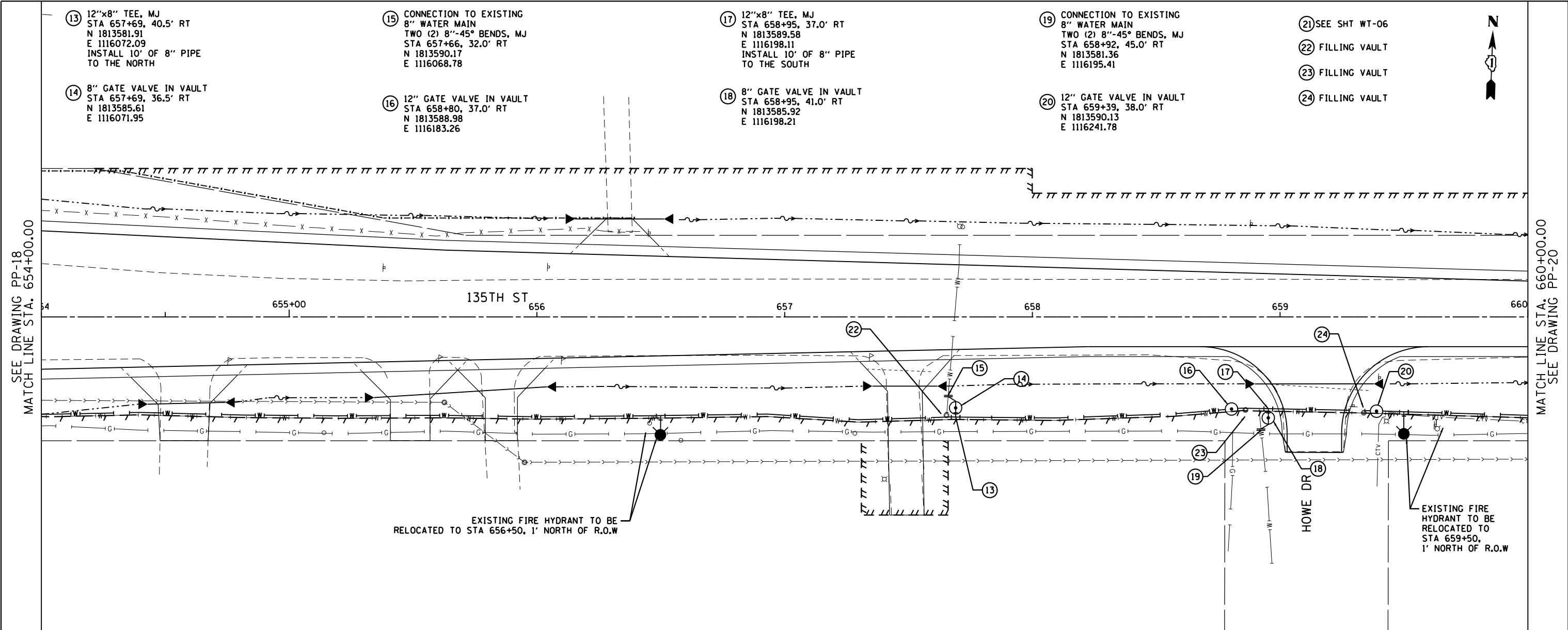


PLAN	SURVEYED	DATE
	PLOTTED	
	GRADES CHECKED	
	STRUCTURE NOTATIONS CHECKED	
	NOTE BOOK NO.	
	BY	

PROFILE	SURVEYED	DATE
	PLOTTED	
	GRADES CHECKED	
	STRUCTURE NOTATIONS CHECKED	
	NOTE BOOK NO.	
	BY	

100 S. WACKER DR.
SUITE 500
CHICAGO, IL 60606
TEL (312) 329-4000
FAX (312) 329-4098



FILE NAME =	USER NAME = Frank.Stallone	DESIGNED - JTF	REVISED -
D160M62-SHT-WATER05.dgn		DRAWN - JTF	REVISED -
		CHECKED - MJT	REVISED -
		DATE - 03/13/13	REVISED -

STATE OF ILLINOIS
DEPARTMENT OF TRANSPORTATION

WATER MAIN - PROPOSED PLAN & PROFILE
135TH STREET
SCALED: 1"=40'H; 1"=5'V SHEET 5 OF 8 SHEETS STA. 654+00.00 TO STA. 660+00.00

F.A.P. RTE.	SECTION	COUNTY	TOTAL SHEETS
330	103R-5	COOK	778
WT-05		CONTRACT NO.	60M62
ILLINOIS FED. AID PROJECT			

