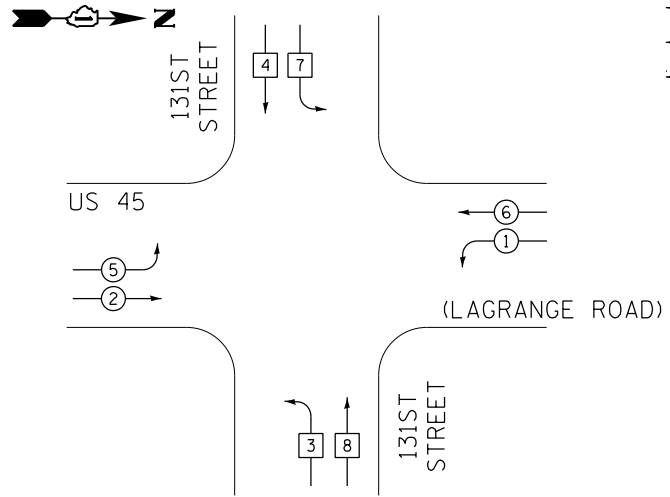
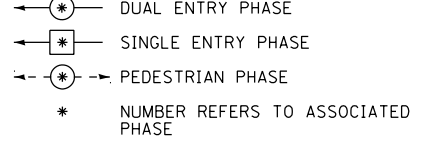


TEMPORARY CONTROLLER SEQUENCE

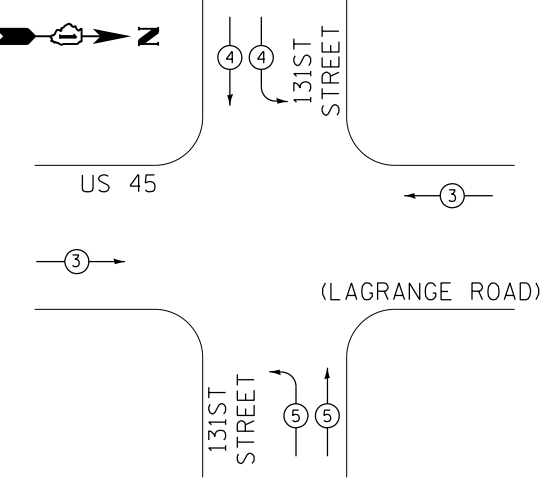


PHASE DESIGNATION DIAGRAM LEGEND



TEMPORARY PHASE DESIGNATION DIAGRAM

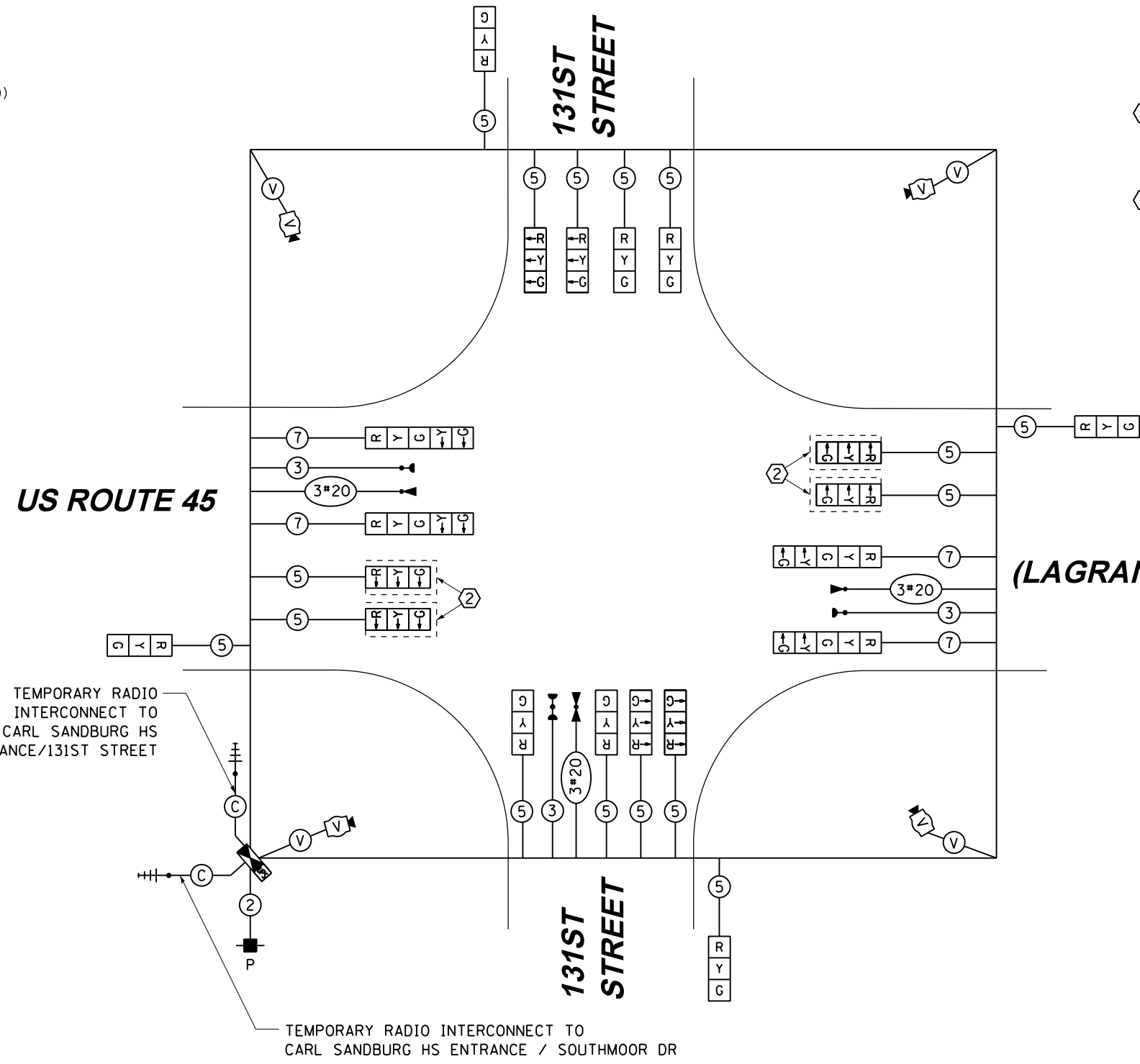
TEMPORARY EMERGENCY VEHICLE PREEMPTION SEQUENCE



TEMPORARY EMERGENCY VEHICLE PREEMPTORS			
EMERGENCY VEHICLE PREEMPTORS	3	4	5
MOVEMENT	↔	↕	↗↖

I.D.O.T. TRAFFIC SIGNAL INSTALLATION ELECTRICAL SERVICE REQUIREMENTS					TOTAL WATTAGE
TYPE	NO. OF LAMPS	WATTAGE INCAND. LED	% OPERATION		
SIGNAL (RED)	16	17	0.50	136.0	
(YELLOW)	16	25	0.25	100.0	
(GREEN)	16	15	0.25	60.0	
ARROW	8	12	0.10	9.6	
PED. SIGNAL	--	25	1.00	0.0	
CONTROLLER	1	100	1.00	100.0	
ILLUM. SIGN	--	25	0.05	0.0	
VIDEO SYSTEM	1	150	1.00	150.0	
FLASHER		25	0.50		
ENERGY COST TO:			TOTAL =	555.6	

ILLINOIS DEPARTMENT OF TRANSPORTATION
 DIVISION OF HIGHWAY/DISTRICT 1
 201 WEST CENTER COURT/SCHAUMBURG, ILLINOIS 60196-1096
 ENERGY SUPPLY: CONTACT: KATHRYN SUGRUE
 PHONE: (708) 235-2337
 COMPANY: COMMONWEALTH EDISON



- CONSTRUCTION NOTES:
- ① TEMPORARY RADIO INTERCONNECT SHALL NOT BE REMOVED UNTIL FIBER INTERCONNECT TO HS ENTRANCE/SOUTHMOOR DRIVE AND HS ENTRANCE/131ST STREET ARE INSTALLED AND OPERATIONAL.
 - ② BAG AND DEACTIVATE SIGNAL SECTION DURING PRE-STAGE, STAGE 1, 1A, AND 1B.

NOTE:
 THE TRAFFIC SIGNAL CONTROLLER EQUIPMENT FOR THIS PROJECT SHALL BE "EAGLE" TO MATCH THE EXISTING ADJACENT SYSTEM.

RESTORATION OF WORK AREA, RESTORATION OF THE TRAFFIC SIGNAL WORK AREA SHALL BE INCIDENTAL TO THE RELATED PAY ITEM SUCH AS FOUNDATION, CONDUIT, HANDHOLE, TRENCH AND BACKFILL, ETC., AND NO EXTRA COMPENSATION SHALL BE ALLOWED. ALL ROADWAY SURFACES SUCH AS SHOULDERS, MEDIANS, SIDEWALKS, PAVEMENT, ETC. SHALL BE REPLACED IN KIND. ALL DAMAGE TO MOWED LAWNS SHALL BE REPLACED WITH AN APPROVED SOD, AND ALL DAMAGE TO UNMOWED FIELDS SHALL BE SEEDED IN ACCORDANCE WITH STANDARD SPECIFICATIONS 252 AND 250 RESPECTIVELY.

TEMPORARY CABLE PLAN
 PRE-STAGE, STAGE 1, 1A & 1B

STATE OF ILLINOIS
 DEPARTMENT OF TRANSPORTATION

TEMPORARY CABLE PLAN, TEMPORARY PHASE DESIGNATION DIAGRAM & EMERGENCY VEHICLE PREEMPTION SEQUENCE US 45 (LAGRANGE ROAD) AND 131ST STREET - PRE-STAGE, STAGE 1, 1A & 1B

F.A.P. RTE.	SECTION	COUNTY	TOTAL SHEETS	SHEET NO.
330	103R-5	COOK	778	300
TD-29		CONTRACT NO. 60M62		
ILLINOIS FED. AID PROJECT				

URS
 100 S. WACKER DR.
 SUITE 600
 CHICAGO, IL 60606
 TEL (312) 935-1000
 FAX (312) 935-4998

FILE NAME =	USER NAME = Anthony.Plutz	DESIGNED - MRF	REVISED -
D160M62-SHT-TD29.dgn		DRAWN - MRF	REVISED -
		CHECKED - MJL	REVISED -
SHT.PLAN	PLOT DATE = 3/13/2013	DATE - 03/13/13	REVISED -