

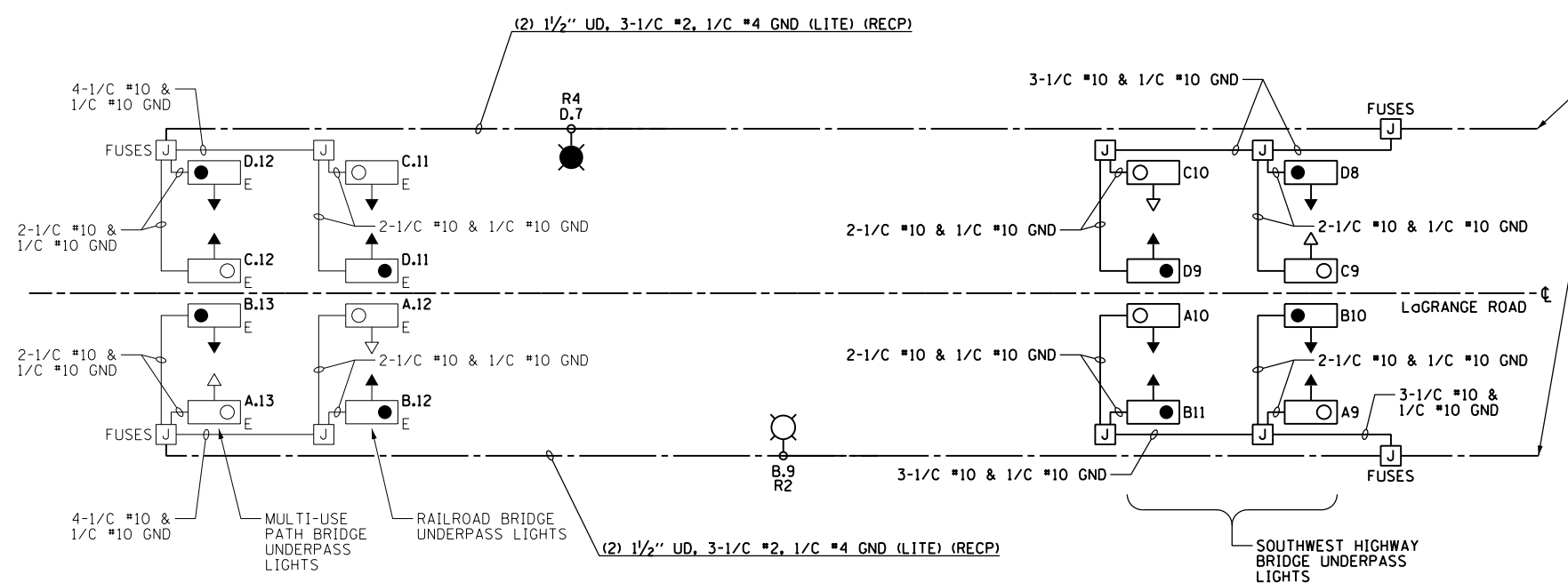
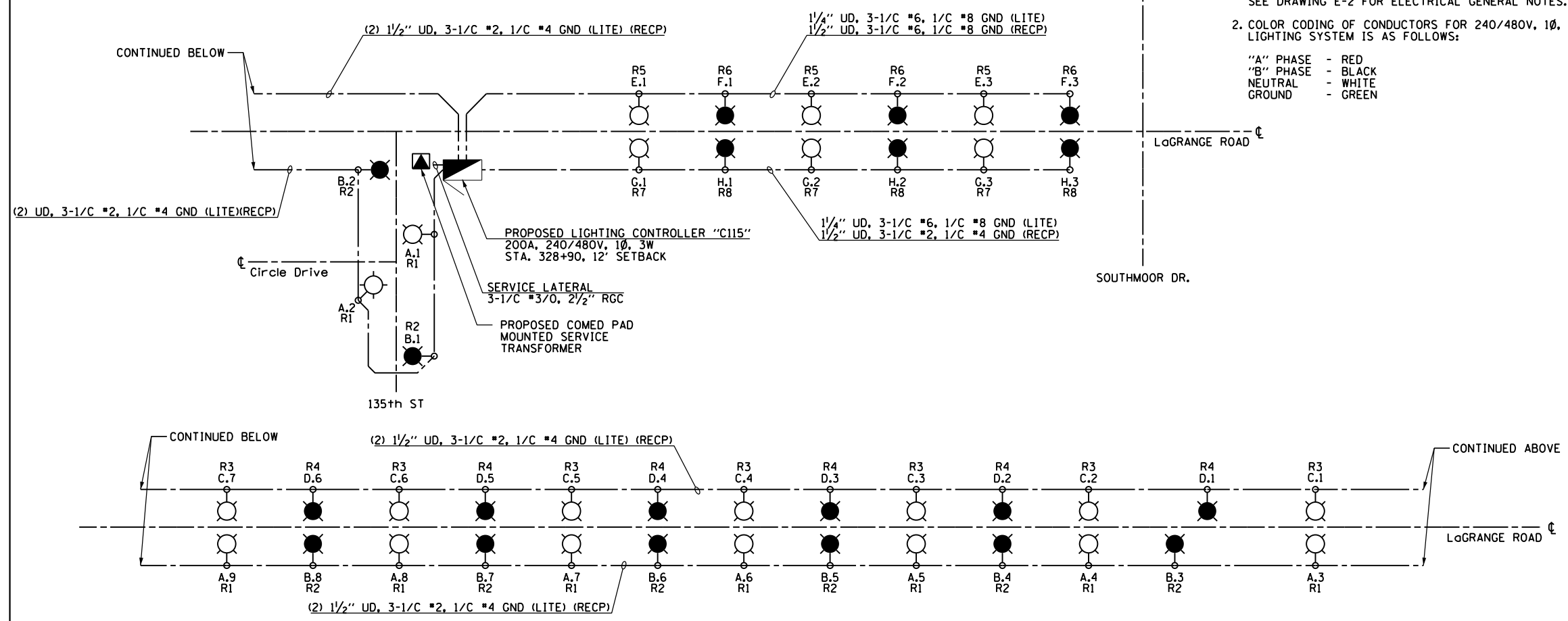
CARL SANDBURG HIGH SCHOOL

NOTES:

- SEE DRAWING E-1 FOR ELECTRICAL ABBREVIATIONS. SEE DRAWING E-2 FOR ELECTRICAL GENERAL NOTES.
- COLOR CODING OF CONDUCTORS FOR 240/480V, 1Ø, 3W LIGHTING SYSTEM IS AS FOLLOWS:
 "A" PHASE - RED
 "B" PHASE - BLACK
 NEUTRAL - WHITE
 GROUND - GREEN

LEGEND:

- PROPOSED LIGHTING UNIT: 400W, 240V PHASE TO NEUTRAL, HPS LUMINAIRE WITH TYPE III DISTRIBUTION, 45'-2" ALUMINUM POLE SHAFT ON 24" DIAMETER CONCRETE FOUNDATION, 47'-6" MOUNTING HEIGHT, 12'-0" MAST ARM, WITH 5A FUSE AND T-BASE (RED PHASE-OPEN SYMBOL, BLACK PHASE-SHADED SYMBOL)
- PROPOSED UNDERPASS LUMINAIRE, 100 WATT, 240V PHASE TO NEUTRAL, HPS, WITH TYPE III DISTRIBUTION, WALL MOUNTED (RED PHASE-OPEN SYMBOL, BLACK PHASE-SHADED SYMBOL)
- EXISTING UNDERPASS LIGHTING UNIT (RED PHASE-OPEN SYMBOL, BLACK PHASE-SHADED SYMBOL)
- PROPOSED ROADWAY LIGHTING CONTROLLER 240/480V, 1Ø, 3W, SINGLE DOOR, BASE MOUNTED
- PROPOSED COMED PAD-MOUNTED TRANSFORMER FOR UTILITY SERVICE CONNECTION
- PROPOSED STAINLESS STEEL, NEMA 4X JUNCTION BOX ATTACHED TO STRUCTURE (SIZED AS INDICATED ON PLANS)
- EXISTING STAINLESS STEEL, NEMA 4X JUNCTION BOX ATTACHED TO STRUCTURE (SIZED AS INDICATED ON PLANS)
- PROPOSED CONDUIT AND CABLE AS INDICATED TO SECONDARY SIDE OF UTILITY SERVICE CONNECTION
- PROPOSED UNIT DUCT: SIZE AND QUANTITY OF CONDUCTORS AS INDICATED
- PROPOSED CONDUCTORS IN 1" PVCC RGS CONDUIT ATTACHED TO STRUCTURE; SIZE AND QUANTITY OF CONDUCTORS AS INDICATED
- EXISTING CONDUCTORS IN 1" PVCC RGS CONDUIT ATTACHED TO STRUCTURE; SIZE AND QUANTITY OF CONDUCTORS AS INDICATED



CIRCUIT	RED PHASE		CIRCUIT	BLACK PHASE	
	AMPS	WATTS		AMPS	WATTS
A	20	4800	B	20	4800
C	16	3840	D	16	3840
E	6	1440	F	6	1440
G	6	1440	H	6	1440
I	--	--	J	--	--
K	--	--	L	--	--
M	--	--	N	--	--
O	--	--	P	--	--
Q	--	--	R	--	--
S	--	--	T	--	--
U	--	--	V	--	--
W	--	--	X	--	--
TOTAL	48	11520	TOTAL	48	11520

CIRCUIT	ORANGE PHASE		CIRCUIT	BROWN PHASE	
	AMPS	WATTS		AMPS	WATTS
R1	13.5	1620	R2	13.5	1620
R3	10.5	1260	R4	10.5	1260
R5	4.5	540	R6	4.5	540
R7	4.5	540	R8	4.5	540
TOTAL	33	3960	TOTAL	33	3960

LOAD TABULATION IS BASED ON THE FOLLOWING:

400W HPS LUMINAIRE: 2.0A AT 240V
 100W HPS UNDERPASS LUMINAIRE: 0.5A AT 240V

LOAD TABULATION IS BASED ON THE FOLLOWING:

180W RECEPTACLE: 1.5A AT 120V

LIGHTING CONTROLLER "C115" WIRING DIAGRAM
 N.T.S.

100 S. WACKER DR.
 SUITE 500
 CHICAGO, IL 60606
 TEL (312) 939-1000
 FAX (312) 939-4998
URS

FILE NAME = D160M62-SHT-E27.dgn	USER NAME = Anthony.Plutz	DESIGNED - MAE	REVISED -
SHT.PLAN	PLOT SCALE = 2.000000' / in.	DRAWN - WM	REVISED -
	PLOT DATE = 3/13/2013	CHECKED - DAD	REVISED -
		DATE - 03/13/13	REVISED -

STATE OF ILLINOIS
 DEPARTMENT OF TRANSPORTATION

US 45 (LaGRANGE ROAD)
 LIGHTING CONTROLLER "C115" WIRING DIAGRAM
 SCALE: NONE SHEET 1 OF 1 SHEETS STA. TO STA.

F.A.P. RTE. 330	SECTION 103R-5	COUNTY COOK	TOTAL SHEETS 778	SHEET NO. 351
E-27		CONTRACT NO. 60M62		
ILLINOIS FED. AID PROJECT				