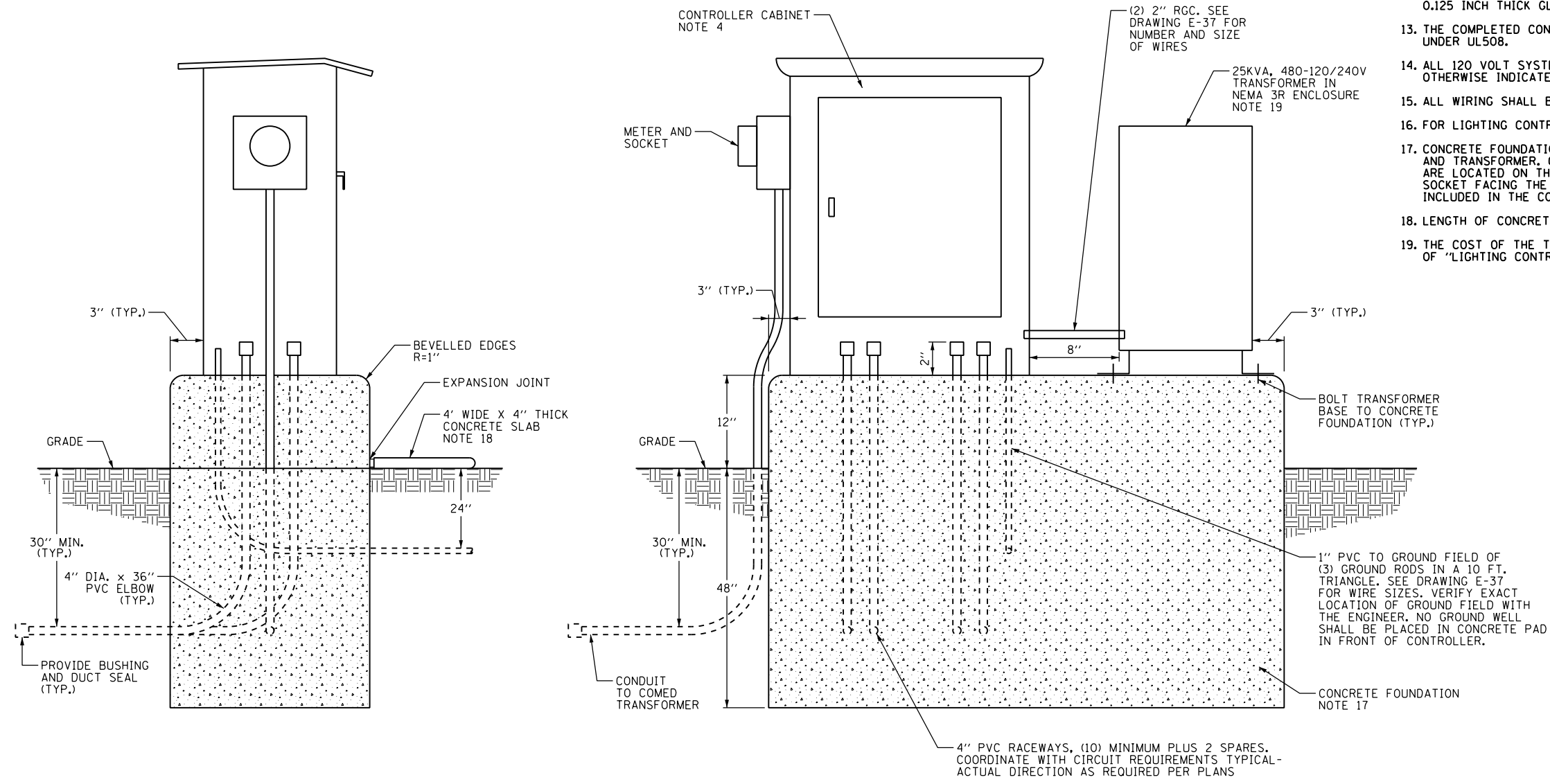


NOTES:

1. COORDINATE PLACEMENT OF RACEWAYS WITH CONTROLLER MANUFACTURER TO ASSURE DOOR LATCH DOES NOT INTERFERE WITH CABLES OR OTHER DEVICES.
2. THE CONTRACTOR SHALL PROVIDE A GROUND FIELD AT EACH CABINET LOCATION. THE GROUND RODS, ANCHOR BOLTS AND REINFORCEMENT STEEL SHALL ALL BE INTERCONNECTED.
3. THE CONTRACTOR SHALL VERIFY EXACT LOCATION OF CONTROLLER FOUNDATION AND GROUND FIELD WITH THE ENGINEER.
4. SEE DRAWING E-39 FOR CONTROL CABINET DETAILS.
5. ALL SCREWS AND HARDWARE SHALL BE PLATED, GALVANIZED, OR MADE OF BRASS, ALUMINUM OR STAINLESS STEEL.
6. NAME PLATE SHALL HAVE ENGRAVED 0.75 INCH HIGH LETTERS FILLED IN BLACK: "ROADWAY LIGHTING CONTROLLER, VILLAGE OF ORLAND PARK".
7. ONE INCH THICK POLYISOCYANURATE INSULATION SHALL BE INSTALLED AND PERMANENTLY CEMENTED ON ALL SIDES OF THE CABINET AND DOORS.
8. ALL DEVICES SHALL BE FRONT REMOVABLE.
9. ALL LUGS SHALL BE OF COPPER SCREWS AND CONNECTORS, SPRING HELD.
10. ALL CONTROL WIRING SHALL BE 600V MACHINE TOOL WIRE TYPE MTW.
11. ALL POWER WIRING SHALL BE 600V TYPE RHH/RHW.
12. CIRCUIT BREAKERS, CONTACTORS AND OTHER COMPONENTS SHALL BE PANEL MOUNTED ON 0.125 INCH THICK GLASTIC INSULATION BACK PANEL.
13. THE COMPLETED CONTROLLER SHALL BE U.L. LISTED AS AN INDUSTRIAL CONTROL PANEL UNDER UL508.
14. ALL 120 VOLT SYSTEM AND ALL CONTROL WIRING SHALL BE #12AWG STRANDED UNLESS OTHERWISE INDICATED.
15. ALL WIRING SHALL BE NEATLY DRESSED AND SUPPORTED.
16. FOR LIGHTING CONTROLLER WIRING DIAGRAM, SEE DRAWING E-38.
17. CONCRETE FOUNDATION SHALL BE CONSTRUCTED AS REQUIRED TO SUPPORT CONTROL CABINET AND TRANSFORMER. CONTRACTOR TO INSURE THE CONTROLLER CABINET AND METER SOCKET ARE LOCATED ON THE FOUNDATION END CLOSEST TO THE UTILITY SERVICE, WITH THE METER SOCKET FACING THE DIRECTION OF THE UTILITY SERVICE. CONCRETE FOUNDATION SHALL BE INCLUDED IN THE COST OF "LIGHTING CONTROLLER, SPECIAL" PAY ITEM.
18. LENGTH OF CONCRETE SLAB SHOULD MATCH LENGTH OF CONCRETE FOUNDATION.
19. THE COST OF THE TRANSFORMER AND THE RELATED WORK SHALL BE INCLUDED IN THE COST OF "LIGHTING CONTROLLER, SPECIAL" ITEM.



LEFT SIDE ELEVATION

FRONT ELEVATION

LIGHTING CONTROLLER FOUNDATION DETAILS
N.T.S.

100 S. WACKER DR.
 SUITE 600
 CHICAGO, IL 60606
 TEL (312) 935-1000
 FAX (312) 935-4198
URS

FILE NAME = D160M62-SHT-E40.dgn	USER NAME = Anthony.Plutz	DESIGNED - MAE	REVISED -
		DRAWN - WM	REVISED -
	PLOT SCALE = 2.000000' / in.	CHECKED - DAD	REVISED -
SHT.PLAN	PLOT DATE = 3/13/2013	DATE - 03/13/13	REVISED -

STATE OF ILLINOIS
DEPARTMENT OF TRANSPORTATION

US 45 (LaGRANGE ROAD)
LIGHTING CONTROLLER FOUNDATION DETAILS

SCALE: NONE SHEET 1 OF 1 SHEETS STA. TO STA.

F.A.P. RTE.	SECTION	COUNTY	TOTAL SHEETS	SHEET NO.
330	103R-5	COOK	778	364
E-40		CONTRACT NO. 60M62		
ILLINOIS FED. AID PROJECT				