

INDEX OF SHEETS

- 1 Key Plan & General Notes
- 2 Typical Sections & Details
- 3 Retaining Wall No. 1 - S.N. 016-Z053
- 4 Retaining Wall No. 2 - S.N. 016-Z054
- 5 Retaining Wall No. 3 - S.N. 016-Z055
- 6 Retaining Wall No. 4 - S.N. 016-Z056
- 7 Retaining Wall No. 5 - S.N. 016-Z057
- 8 Retaining Wall No. 6 - S.N. 016-Z058
- 9 Retaining Wall No. 7 - S.N. 016-Z059
- 10 Retaining Wall No. 8 - S.N. 016-Z060
- 11-18 Soil Boring Logs

Note:
For structure numbers 016-Z002 thru 016-Z007 see respective wall sheets following miscellaneous walls.

DESIGN SPECIFICATIONS

2002 AASHTO Standard Specifications for Highway Bridges

DESIGN STRESSES

FIELD UNITS

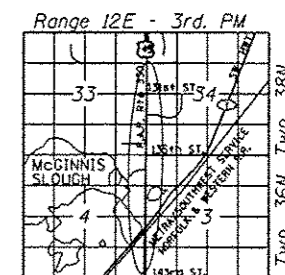
$f'_c = 3,500$ psi
 $f_y = 60,000$ psi (Reinforcement)
 $f_y = 50,000$ psi (ASTM A572 Grade 50 Sheet Piling)

WALL TYPES

CIP = Cast-in-place
 Sht. Pile = Permanent Sheet Piling with concrete facing/cap
 Block = Segmental concrete block wall

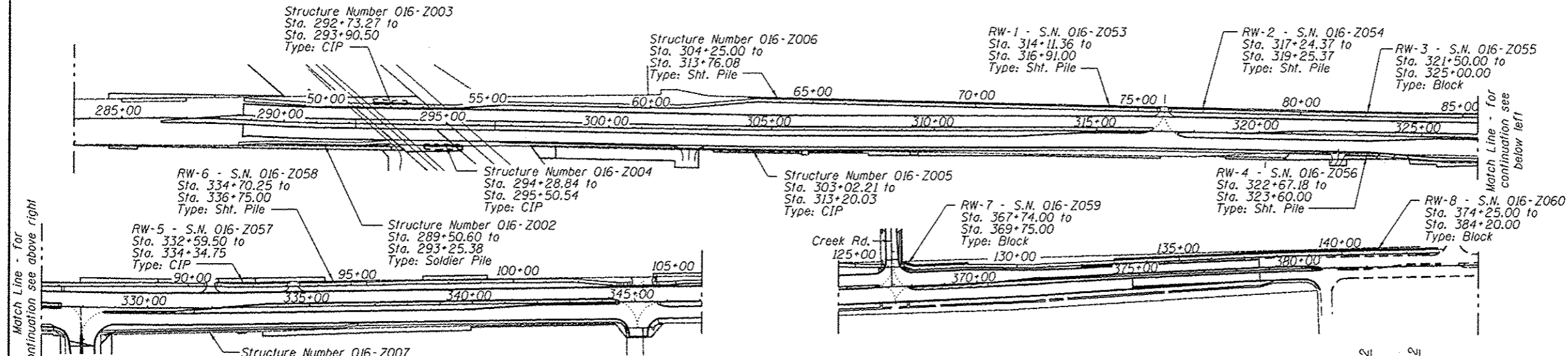
EXISTING UTILITY LEGEND

- A — Aerial Lines
- CTV — Cable TV
- E — Electric
- FO — Fiber Optic
- G — Gas
- S — Sanitary Sewer
- T — Telephone
- W — Water



LOCATION SKETCH

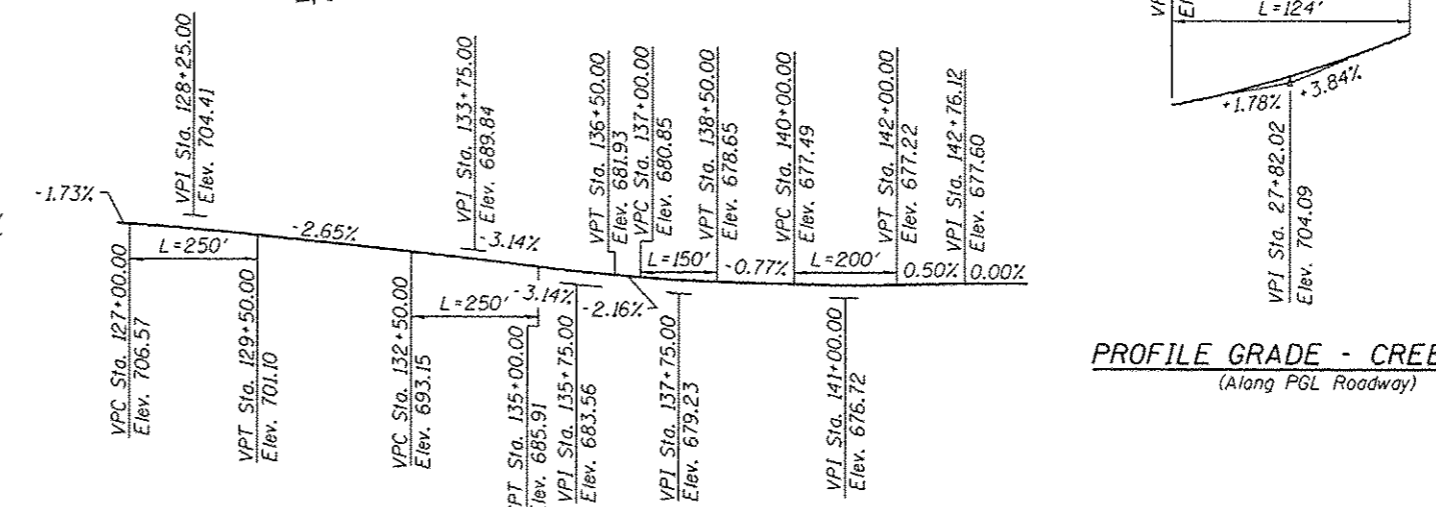
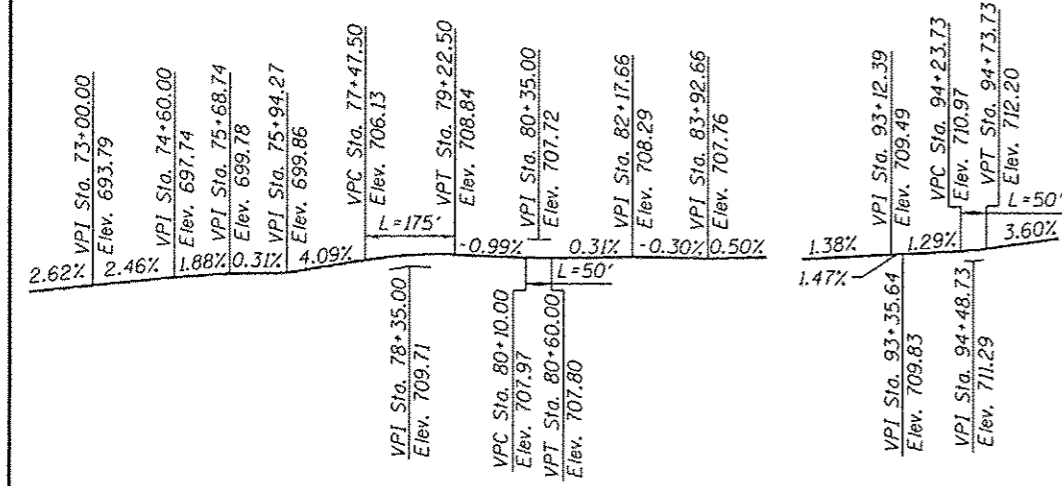
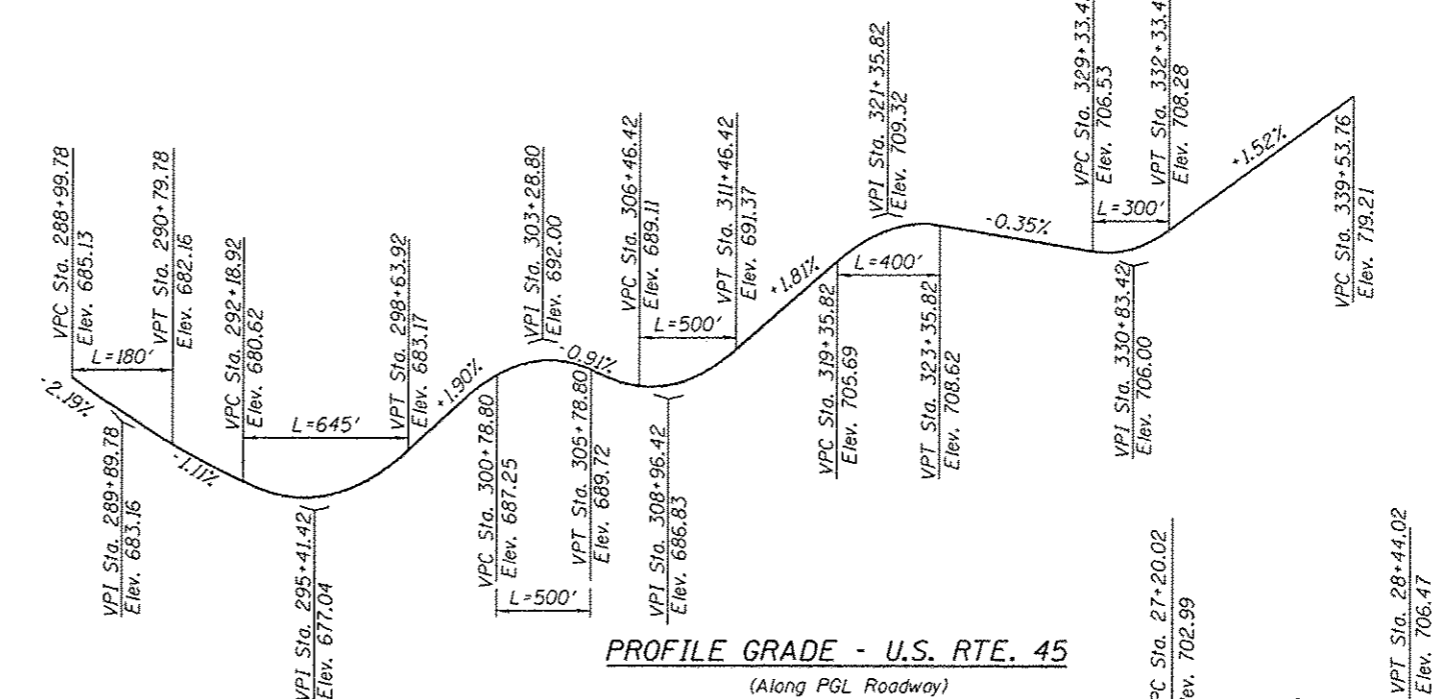
KEY PLAN & GENERAL NOTES
U.S. ROUTE 45 - LAGRANGE ROAD
FAP RTE. 330 - SEC 103R-5
COOK COUNTY



GENERAL NOTES

- Reinforcement bars designated (E) shall be epoxy coated.
- Plan dimensions and details relative to existing plans are subject to nominal construction variations. The Contractor shall field verify existing dimensions and details affecting new construction and make necessary approved adjustments prior to construction or ordering of materials. Such variations shall not be cause for additional compensation for a change in scope of the work, however, the Contractor will be paid for the quantity actually furnished at the unit price bid for the work.
- The Contractor shall use care when excavating around existing foundations and utilities. Any damage caused to existing facilities shall be repaired or replaced at the Contractor's expense.
- See individual wall sheets for maximum applied bearing pressure for each Cast-In-Place wall.
- Contractor to coordinate finished appearance of Form Liner and Segmental Concrete Block Wall.
- The form liner shall be a random Ashlar blend pattern consisting of the following block sizes:
 1. 28% - 4"x18"
 2. 16% - 8"x8"
 3. 28% - 8"x11"
 4. 28% - 8"x18"

Arsalan M. Khan
 ARSALAN M. KHAN, S.E.
 LICENSE NO.: 081-006258
 EXPIRES: NOVEMBER 30, 2014
 DATE: 03-13-2013



PROFILE GRADE - MULTI-USE PATH
 (Along PGL Path)
 (Retaining Walls 1 thru 4)

PROFILE GRADE - MULTI-USE PATH
 (Along PGL Path)
 (Retaining Walls 5 & 6)

PROFILE GRADE - MULTI-USE PATH
 (Along PGL Path)
 (Retaining Walls 7 & 8)

FILE NAME : 0160462-SHT-WALLS GENERAL NOTES.dgn	USER NAME : Kyle.Pearl	DESIGNED - M.J.L.	REVISIONS - -	STATE OF ILLINOIS DEPARTMENT OF TRANSPORTATION	F.A.P. RTE. 330	SECTION 103R-5	COUNTY COOK	TOTAL SHEETS 778	SHEET NO. 376
PLOT SCALE = 375.00' / in.	DRAWN - M.J.L.	CHECKED - P.M.H.	REVISIONS - -		CONTRACT NO. 60M62				
PLOT DATE = 3/15/2013	CHECKED - P.M.H.	REVISIONS - -	SHEET NO. 1 OF 18 SHEETS						
ILLINOIS FED. AID PROJECT									