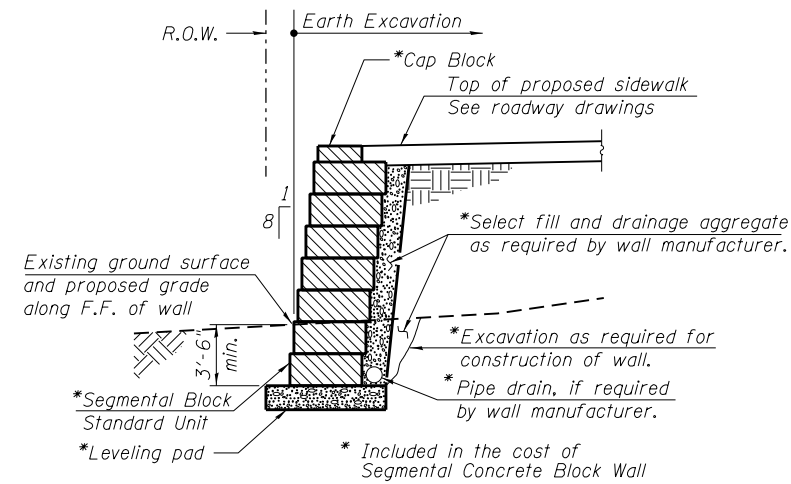
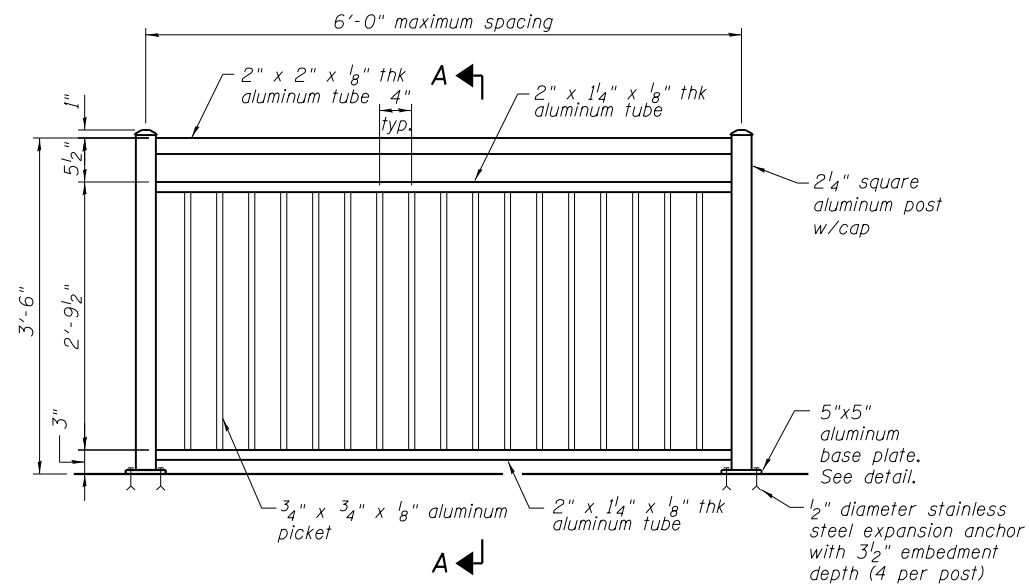


TYPICAL SECTION THRU C.I.P. WALL

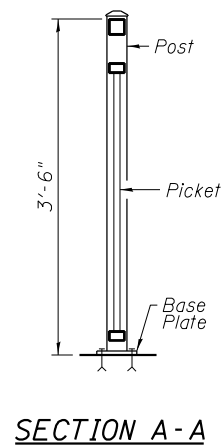


Note: Due to R.O.W. constraints, wall system cannot have soil reinforcement.

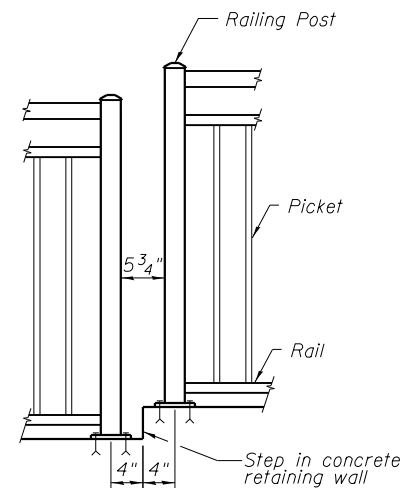
TYPICAL SECTION THRU SEGMENTAL BLOCK WALL



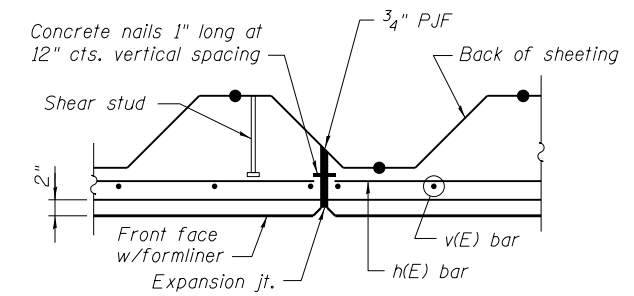
TYPICAL ORNAMENTAL RAILING



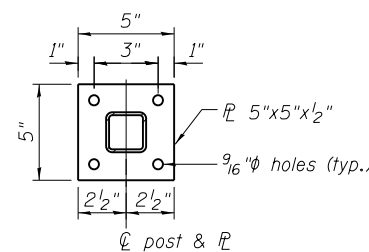
SECTION A-A



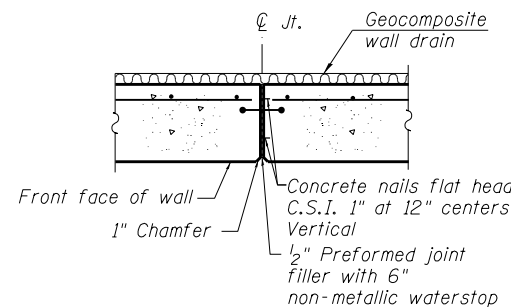
TYPICAL DETAIL AT STEP IN WALL



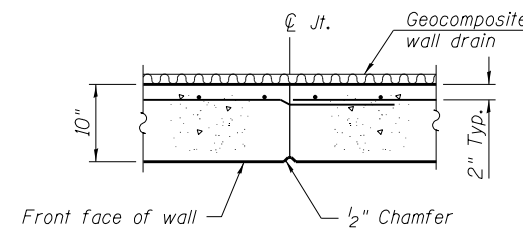
PLAN SECTION THROUGH SHEET PILE WALL AT EXPANSION JOINT



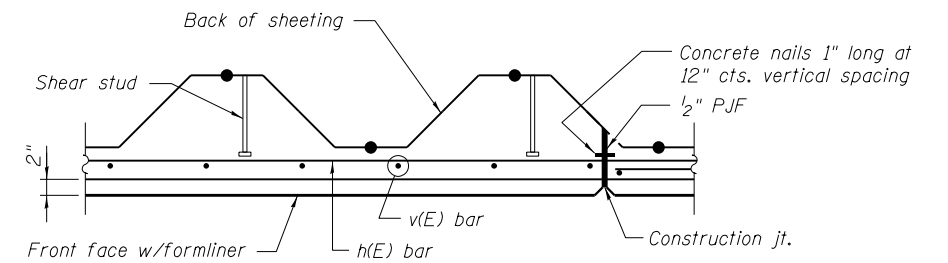
BASE PLATE DETAIL



EXPANSION JOINT DETAILS



CONSTRUCTION JOINT DETAILS



PLAN SECTION THROUGH SHEET PILE WALL AT CONSTRUCTION JOINT

Note:
All outlets for drainage system components shall be determined in the field by the contractor and approved by the Engineer. They shall either extend 2'-0" from the end of each wall, extend until intersecting with the side slopes or outlet through a core drilled hole at low point of wall. The pipes shall drain into concrete headwalls if extended to side slopes. (See Article 601.05 of the Standard Specifications and Highway Standard 601101). Cost of outlets included in the cost of pipe underdrains for structures.

FILE NAME =	USER NAME = Anthony.Plutz	DESIGNED -	REVISED -
D160M62-SHT-Wall_Details.dgn		CHECKED -	REVISED -
		DRAWN -	REVISED -
		CHECKED -	REVISED -

F.A.P. RTE.	SECTION	COUNTY	TOTAL SHEETS	SHEET NO.
330	103R-5	COOK	778	377
CONTRACT NO. 60M62				
ILLINOIS FED. AID PROJECT				