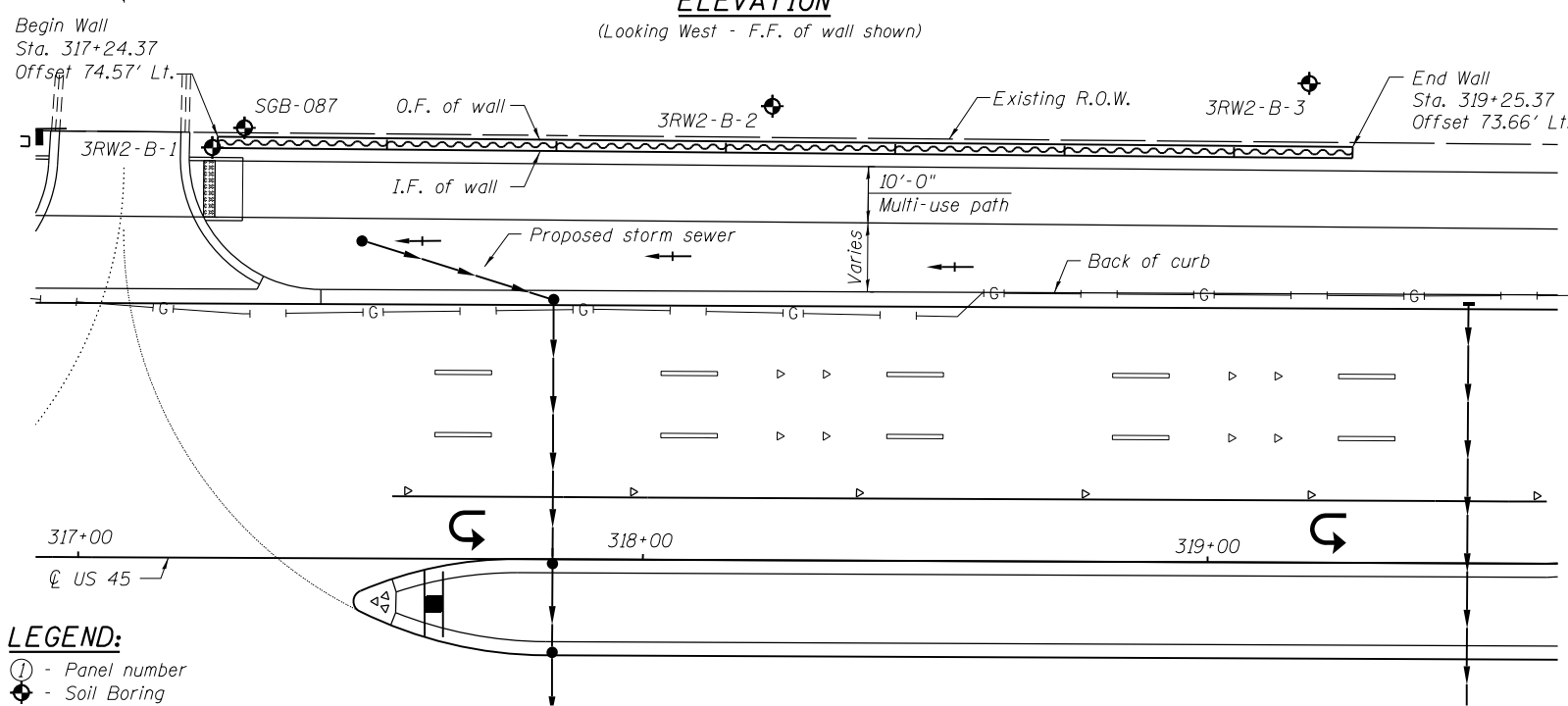
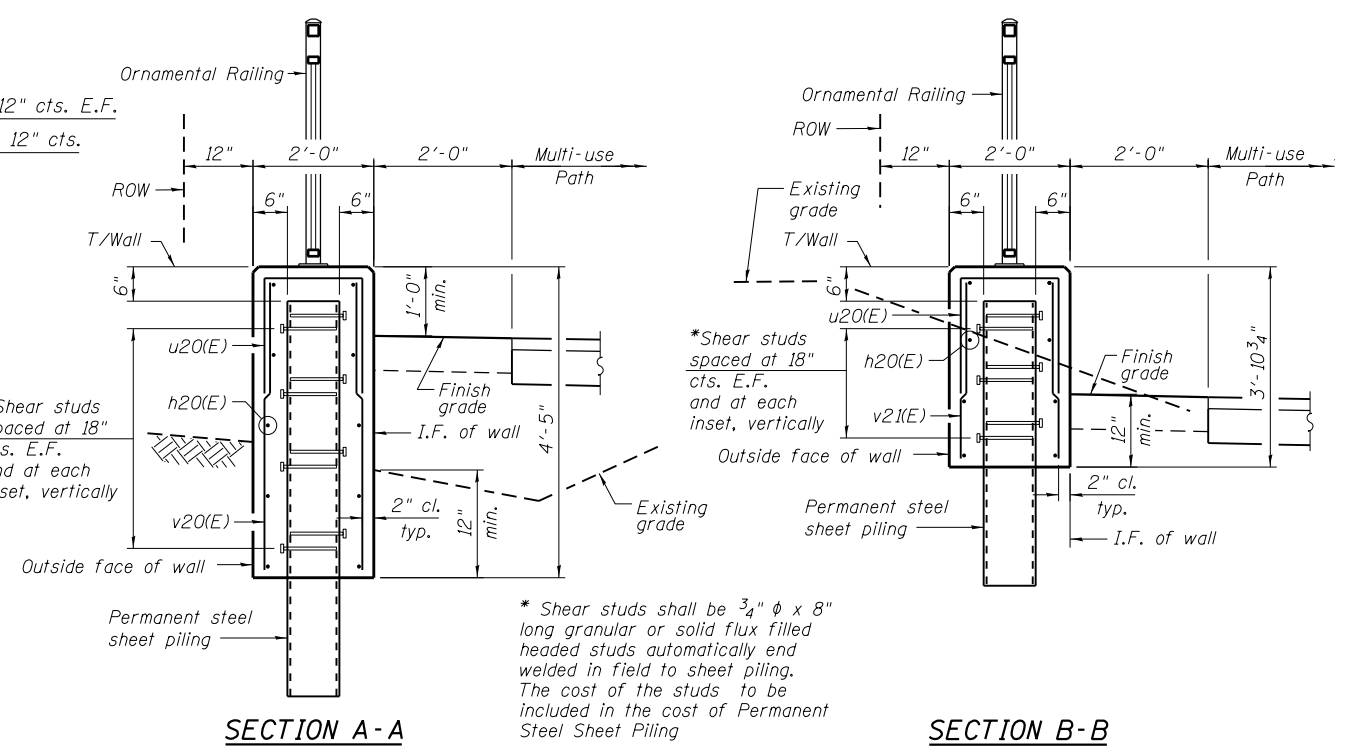


ELEVATION
(Looking West - F.F. of wall shown)



PLAN

LEGEND:
 ① - Panel number
 ◆ - Soil Boring
 O.F. - Outside Face
 I.F. - Inside Face
 E.F. - Each Face



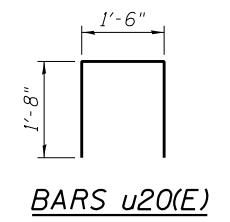
SECTION A-A

SECTION B-B

BILL OF MATERIAL

Bar	No.	Size	Length	Shape
h20(E)	40	#5	32'-3"	—
h21(E)	20	#5	28'-8"	—
h22(E)	10	#5	20'-8"	—
v20(E)	61	#5	4'-1"	—
v21(E)	144	#5	3'-7"	—
u20(E)	215	#5	4'-7"	□
Structure Excavation		Cu. Yd.	107	
Concrete Structures		Cu. Yd.	60.1	
Reinforcement Bars, Epoxy Coated		Pound	3,990	
Permanent Sheet Piling		Sq. Ft.	2,830	
Ornamental Railing		Foot	201	

Bars indicated thus 5x2-#5 h20(E) etc. indicates 5 lines of bars with 2 lengths per line.



BARS u20(E)

Notes:
 Wall stations, offsets and dimensions are measured at front face of wall.
 All exposed corners shall have a 1" chamfer.
 For General Notes, Wall Key Plan and US 45 Profile, see Sheet 1.
 For Typical Wall Details and Ornamental Railing see Sheet 2.

100 S. WACKER DR.
 SUITE 600
 CHICAGO, IL 60606
 TEL (312) 939-1000
 FAX (312) 939-4998
URS

FILE NAME = D160M62-SHT-Wall.02.dgn	USER NAME = Anthony.Plutz	DESIGNED - RJ	REVISD -	STATE OF ILLINOIS DEPARTMENT OF TRANSPORTATION	RETAINING WALL NO. 2 - S.N. 016-2054 STATION 317 + 24.37 TO 319 + 25.37	F.A.P. R.T.E. = 330	SECTION = 103R-5	COUNTY = COOK	TOTAL SHEETS = 778	SHEET NO. = 379
PLOT SCALE = 33.3321' / in.	DRAWN - RJ	REVISD -	CONTRACT NO. 60M62							
PLOT DATE = 3/13/2013	CHECKED -	REVISD -	ILLINOIS FED. AID PROJECT							
			SHEET NO. 4 OF 18 SHEETS							