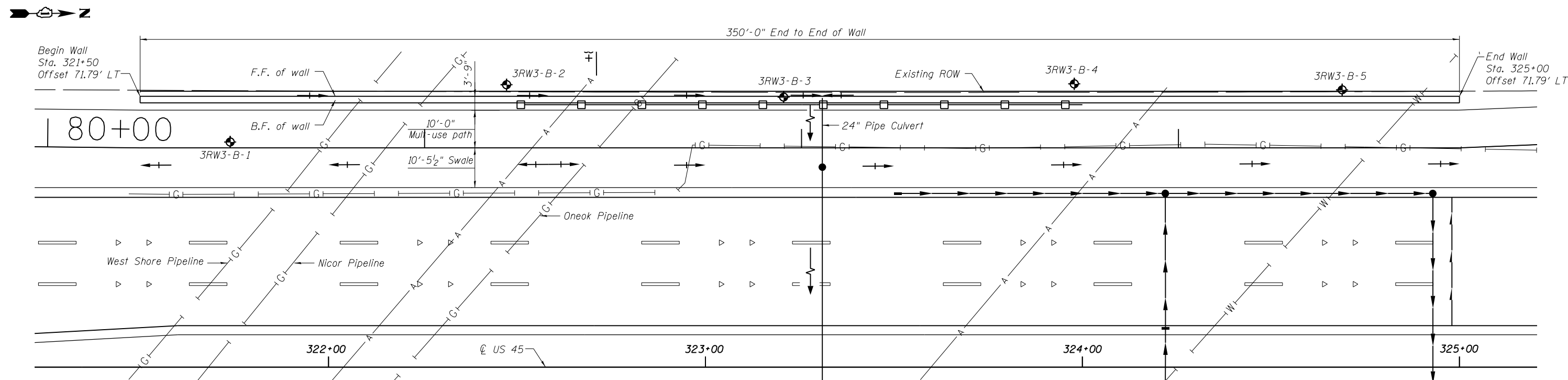
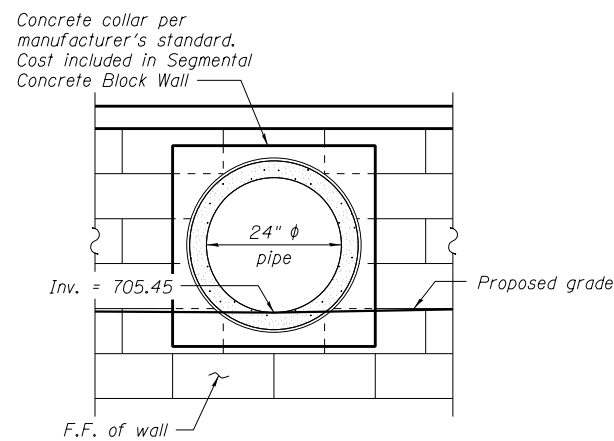


**ELEVATION**  
(Looking at F.F. of Wall)



**PLAN**



**INLET DETAIL**

**LEGEND**

- A— Aerial line
- G— Gas line
- W— Water line
- Catch basin
- Flow arrow
- Soil boring location

**BILL OF MATERIAL**

ITEM	UNIT	QUANTITY
Ornamental Railing	Ft.	200
Segmental Concrete Block Wall	Sq. Ft.	2,051

Notes:  
 Wall stations, offsets and dimensions are measured at front face of wall.  
 All exposed corners shall have a 1" chamfer.  
 For General Notes, Wall Key Plan and US 45 Profile, see Sheet 1.  
 For Typical Wall Details and Ornamental Railing see Sheet 2.  
 The Contractor shall maintain a minimum of 2' of clearance between the bottom of leveling pad and top of West Shore Pipeline.

100 S. WACKER DR.  
 SUITE 600  
 CHICAGO, IL 60606  
 TEL (312) 939-1000  
 FAX (312) 939-4998  
**URS**

FILE NAME = D:\60M62-SHT-Wall.03.dgn	USER NAME = Anthony.Plutz	DESIGNED - RJ	REVISED -
		CHECKED -	REVISED -
	PLOT SCALE = 26.6667' / in.	DRAWN - RJ/AMV	REVISED -
	PLOT DATE = 3/13/2013	CHECKED -	REVISED -

**STATE OF ILLINOIS  
DEPARTMENT OF TRANSPORTATION**

**RETAINING WALL NO. 3 - S.N. 016-2055  
STATION 321 + 50.00 TO 325 + 00.00**

SHEET NO. 5 OF 18 SHEETS

F.A.P. RTE.	SECTION	COUNTY	TOTAL SHEETS	SHEET NO.
330	103R-5	COOK	778	380
CONTRACT NO. 60M62				
ILLINOIS FED. AID PROJECT				