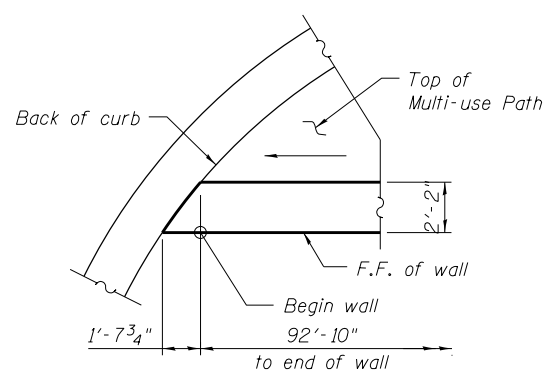
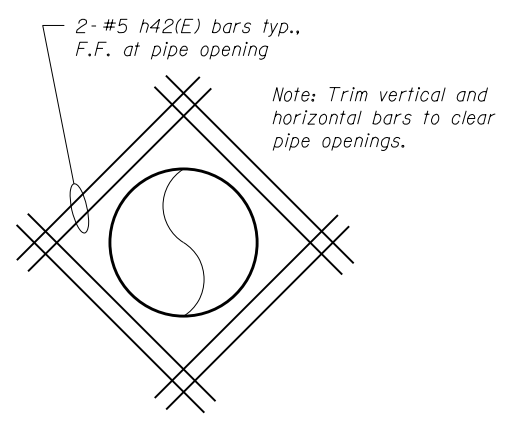


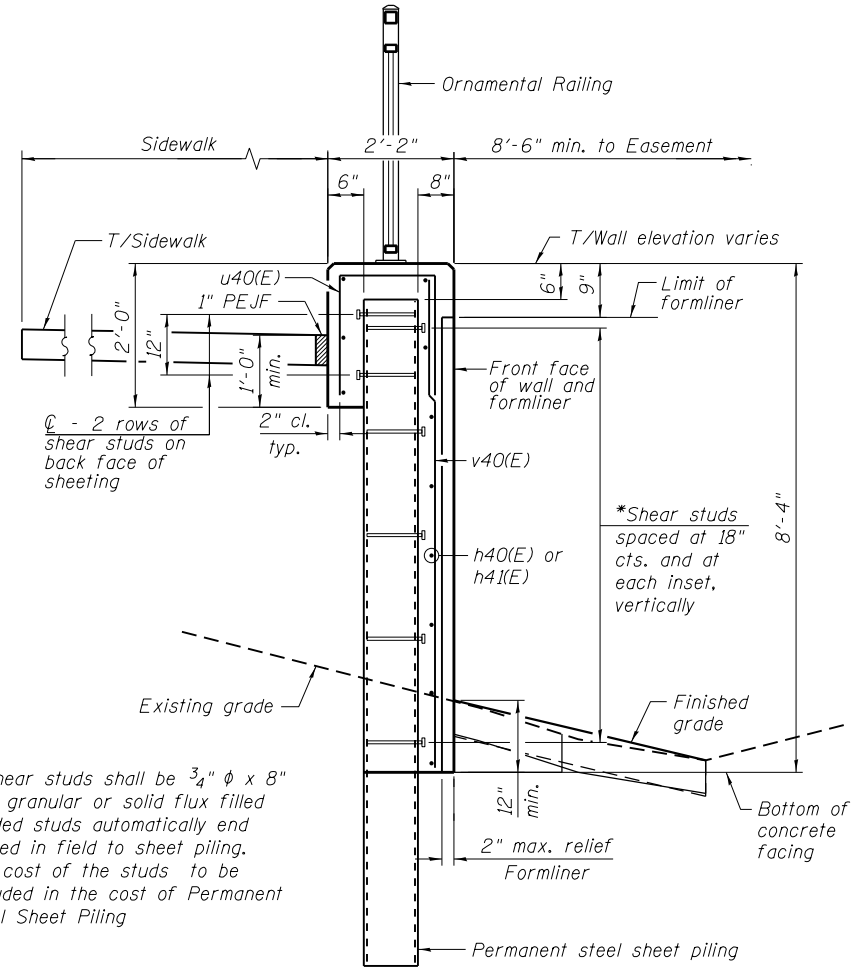
**ELEVATION**



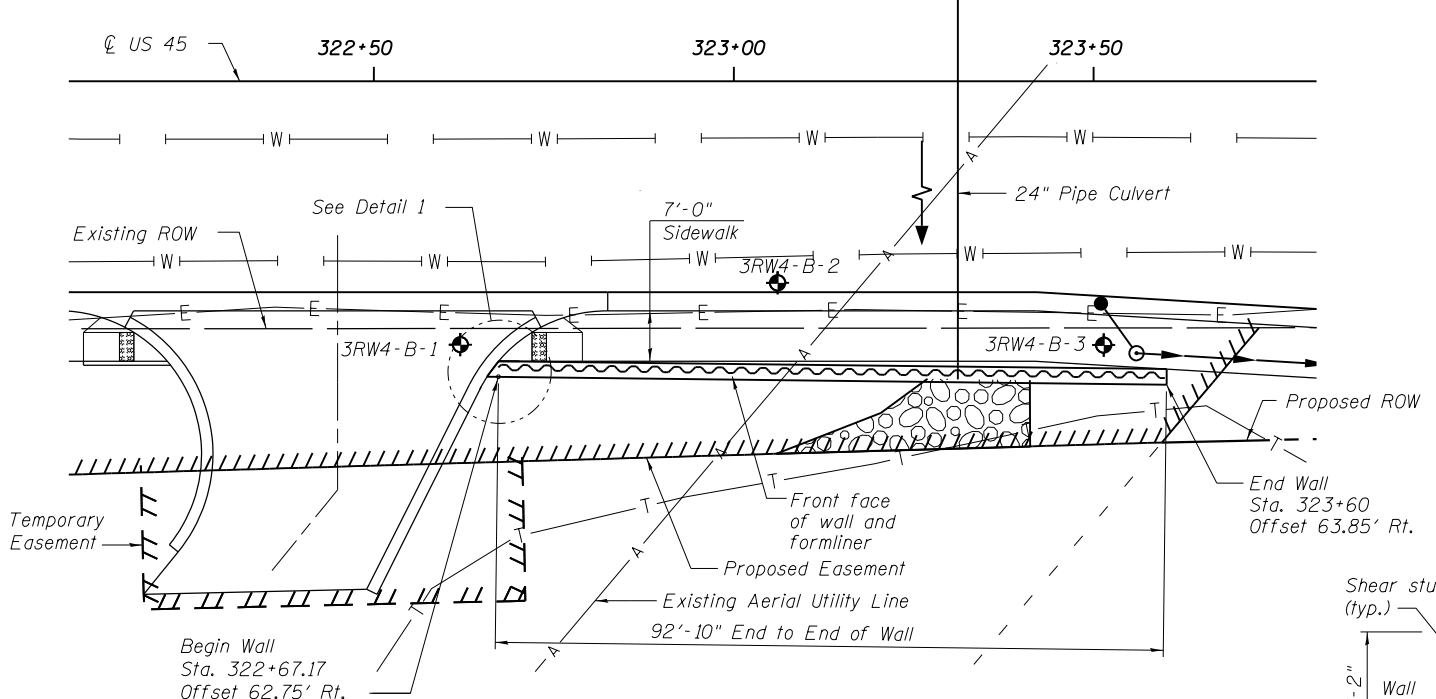
**DETAIL 1**



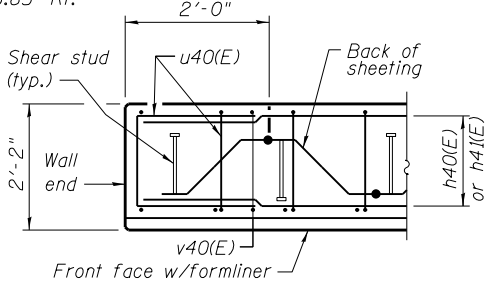
**PIPE PENETRATION DETAIL**



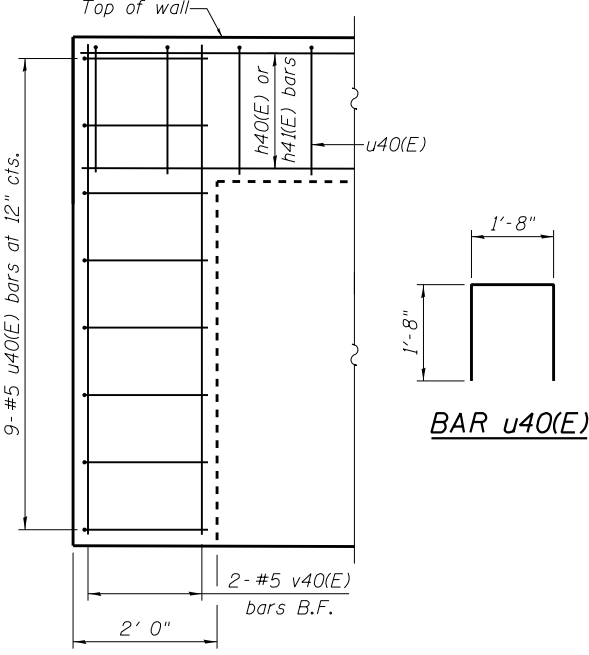
**TYPICAL SECTION THROUGH WALL**



**PLAN**



**PLAN AT END OF WALL**



**TYPICAL END CAP DETAIL**

**BILL OF MATERIAL**

Bar	No.	Size	Length	Shape
h40(E)	24	#5	33'-11"	—
h41(E)	12	#5	30'-8"	—
h42(E)	8	#5	3'-6"	—
v40(E)	97	#5	8'-0"	—
u40(E)	109	#5	5'-0"	□
Structure Excavation			Cu. Yd.	48
Concrete Structures			Cu. Yd.	39.3
Form Liner Textured Surface			Sq. Ft.	704
Reinforcement Bars, Epoxy Coated			Pound	2,640
Permanent Sheet Piling			Sq. Ft.	1,929
Ornamental Railing			Foot	93

Notes:  
 Wall stations, offsets and dimensions are measured at front face of wall.  
 All exposed corners shall have a 1" chamfer.  
 For General Notes, Wall Key Plan and US 45 Profile, see Sheet 1.  
 For Typical Wall Details and Ornamental Railing see Sheet 2.

**LEGEND**

— A —	Aerial line	— E —	Electric line - underground
— W —	Water line	→	Flow arrow
— T —	Telephone line	⊕	Soil boring location

100 S. WACKER DR.  
 SUITE 600  
 CHICAGO, IL 60606  
 TEL (312) 939-1000  
 FAX (312) 939-4998

**URS**

FILE NAME = D160M62-SHT-Wall1.04.dgn

USER NAME = Anthony.Plutz  
 PLOT SCALE = 26.666' / in.  
 PLOT DATE = 3/13/2013

DESIGNED - RJ  
 CHECKED - RJ/AMV  
 DRAWN - RJ/AMV  
 CHECKED -

REVISED -  
 REVISED -  
 REVISED -  
 REVISED -

**STATE OF ILLINOIS  
 DEPARTMENT OF TRANSPORTATION**

**RETAINING WALL NO. 4 - S.N. 016-2056  
 STATION 322 + 67.18 TO 323 + 60.00**

SHEET NO. 6 OF 18 SHEETS

F.A.P. RTE.	SECTION	COUNTY	TOTAL SHEETS	SHEET NO.
330	103R-5	COOK	778	381
				<b>CONTRACT NO. 60M62</b>
ILLINOIS FED. AID PROJECT				