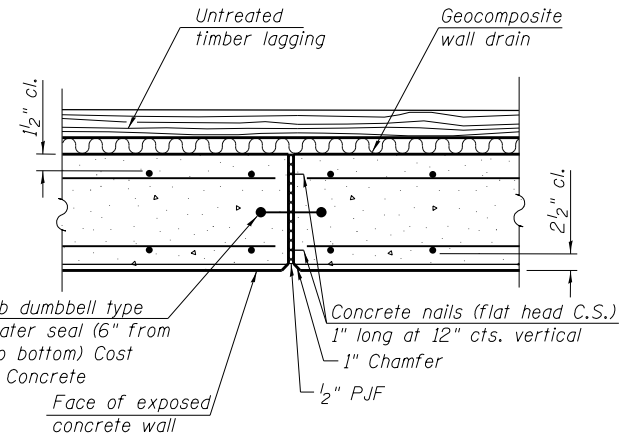
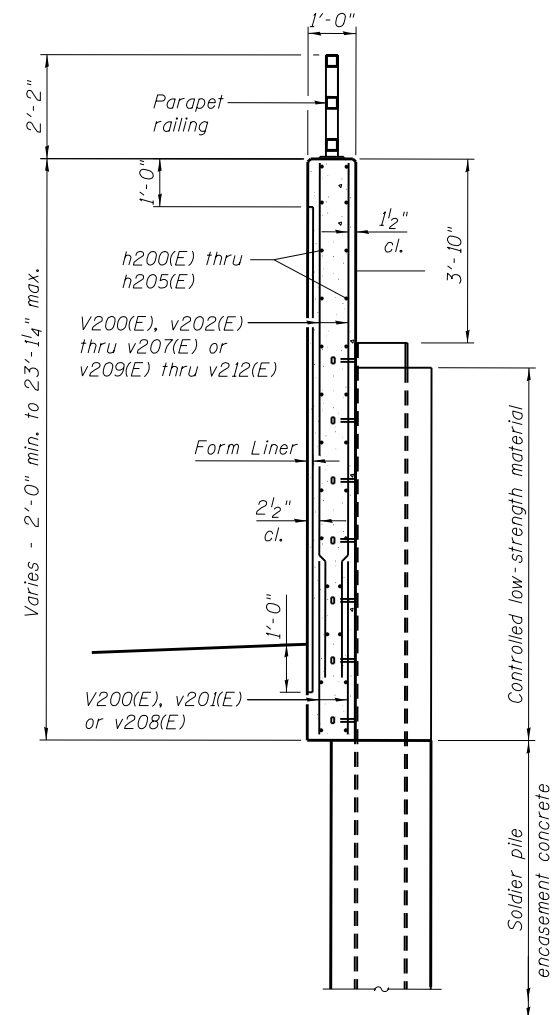


CONSTRUCTION JOINT DETAIL

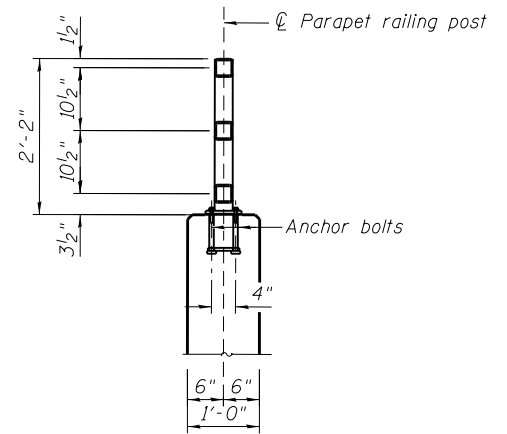


EXPANSION JOINT DETAIL



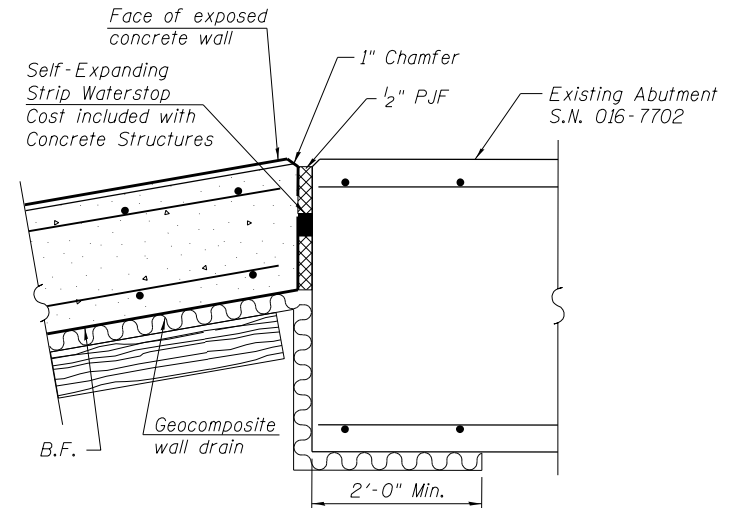
SECTION A-A

For details not shown see Typical Section Thru Soldier Pile Wall, Sheet 2.



SECTION THRU PARAPET RAILING

For railing details see Sheet 7.

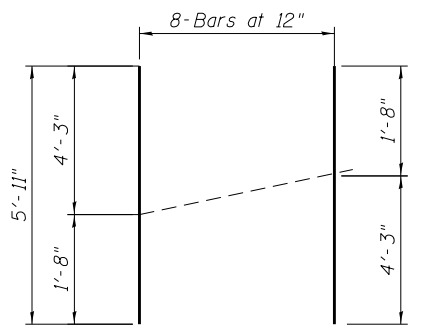


WATERSTOP DETAIL

6" Hollow bulb dumbbell type nonmetallic water seal (6" from top of wall to bottom) Cost included with Concrete Structures
Concrete nails (flat head C.S.) 1" long at 12" cts. vertical
1" Chamfer
1/2" P.J.F.

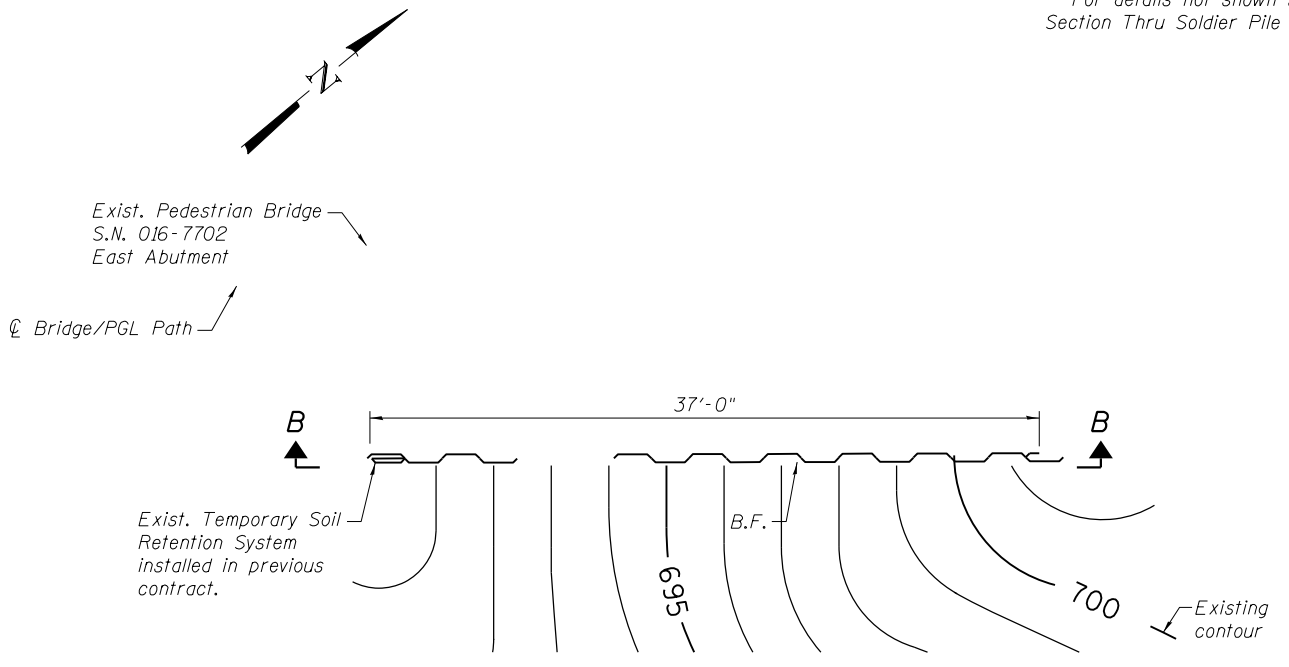
BILL OF MATERIAL

Bar	No.	Size	Length	Shape
h200(E)	2	#5	33'-2"	
h201(E)	252	#5	33'-0"	
h202(E)	78	#5	29'-8"	
h203(E)	2	#5	33'-1"	
h204(E)	4	#5	14'-3"	
h205(E)	48	#5	17'-3"	
v200(E)	8	#4	5'-11"	
v201(E)	356	#4	4'-0"	
v202(E)	46	#4	3'-9"	
v203(E)	124	#4	5'-3"	
v204(E)	124	#4	6'-9"	
v205(E)	62	#4	7'-6"	
v206(E)	62	#4	8'-3"	
v207(E)	62	#4	9'-9"	
v208(E)	410	#4	10'-0"	
v209(E)	62	#4	8'-1"	
v210(E)	62	#4	9'-3"	
v211(E)	62	#4	10'-6"	
v212(E)	62	#4	12'-7"	
v213(E)	38	#4	15'-1"	
Reinforcement Bars, Epoxy Coated		Pound	20,100	
Concrete Structures		Cu. Yd.	175.7	

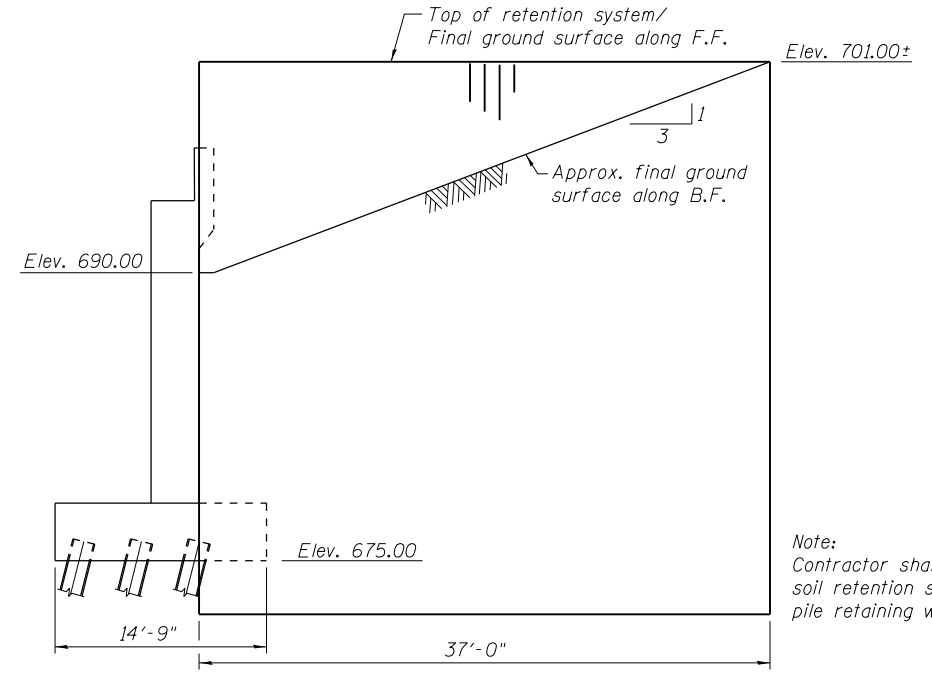


BAR v200(E) BAR CUTTING DIAGRAM

Order bars full length. Cut to fit as shown and place at one end of the dimension line shown on the plan. Use remainder of bars at opposite end of the dimension line on the opposite face of the Retaining Wall.

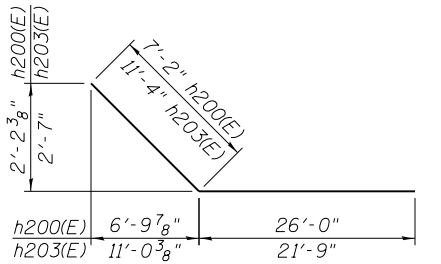


EXISTING TEMPORARY SOIL RETENTION SYSTEM TO BE REMOVED



SECTION B-B (Looking at B.F.)

Note: Contractor shall remove temporary soil retention system after soldier pile retaining wall is in place.



BARS h200(E) & h203(E)

URS
100 S. WACKER DR.
SUITE 600
CHICAGO, IL 60606
TEL (312) 935-1000
FAX (312) 935-4998

FILE NAME = 0162002-60M62-006-bom.dgn	USER NAME = Anthony.Plutz	DESIGNED - KJH	REVISED -
		CHECKED - PMH	REVISED -
	PLOT SCALE = 5:4.0000 "1" / in.	DRAWN - RJ	REVISED -
	PLOT DATE = 3/13/2013	CHECKED - MJL	REVISED -

STATE OF ILLINOIS
DEPARTMENT OF TRANSPORTATION

BILL OF MATERIAL
STRUCTURE NO. 016-2002

SHEET NO. 6 OF 9SHEETS

F.A.P. RTE.	SECTION	COUNTY	TOTAL SHEETS	SHEET NO.
330	103R-5	COOK	778	399
				CONTRACT NO. 60M62
ILLINOIS FED. AID PROJECT				