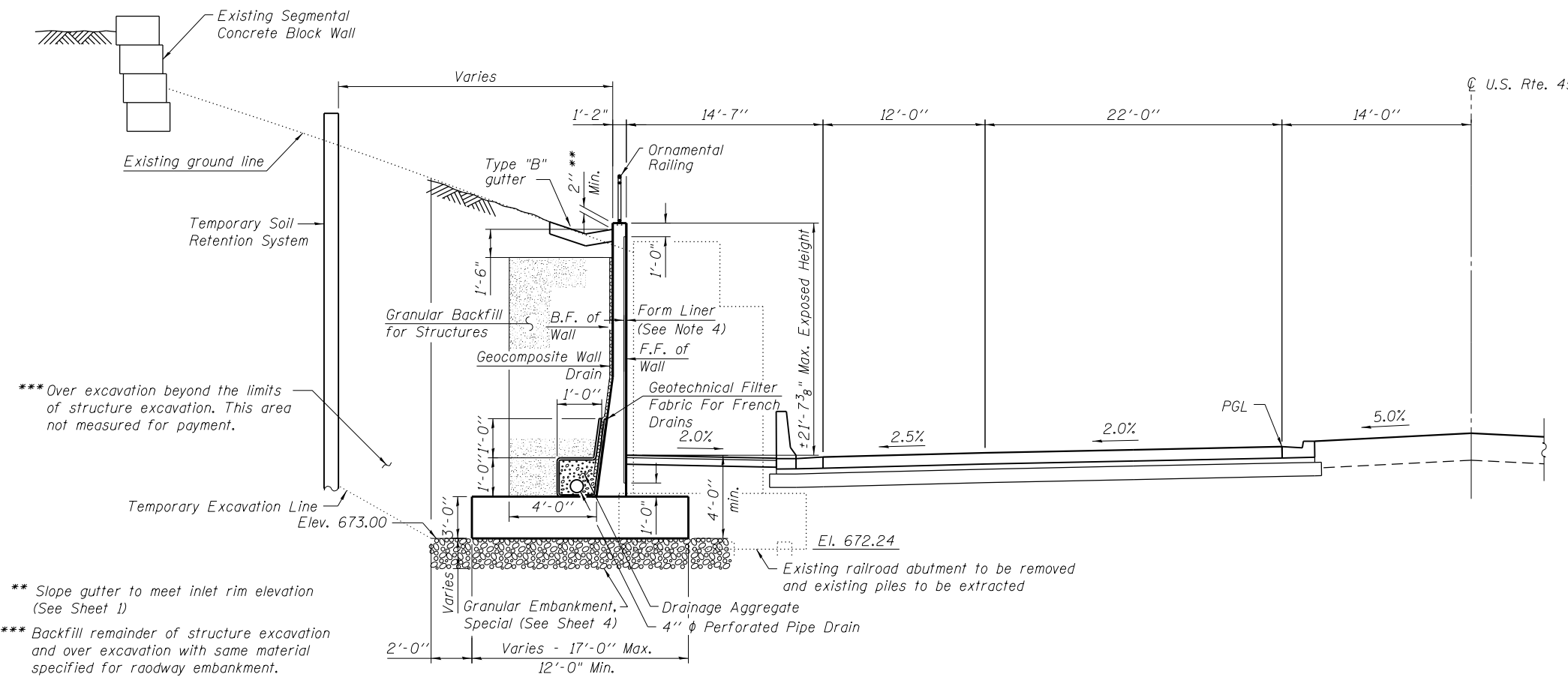


TOTAL BILL OF MATERIAL

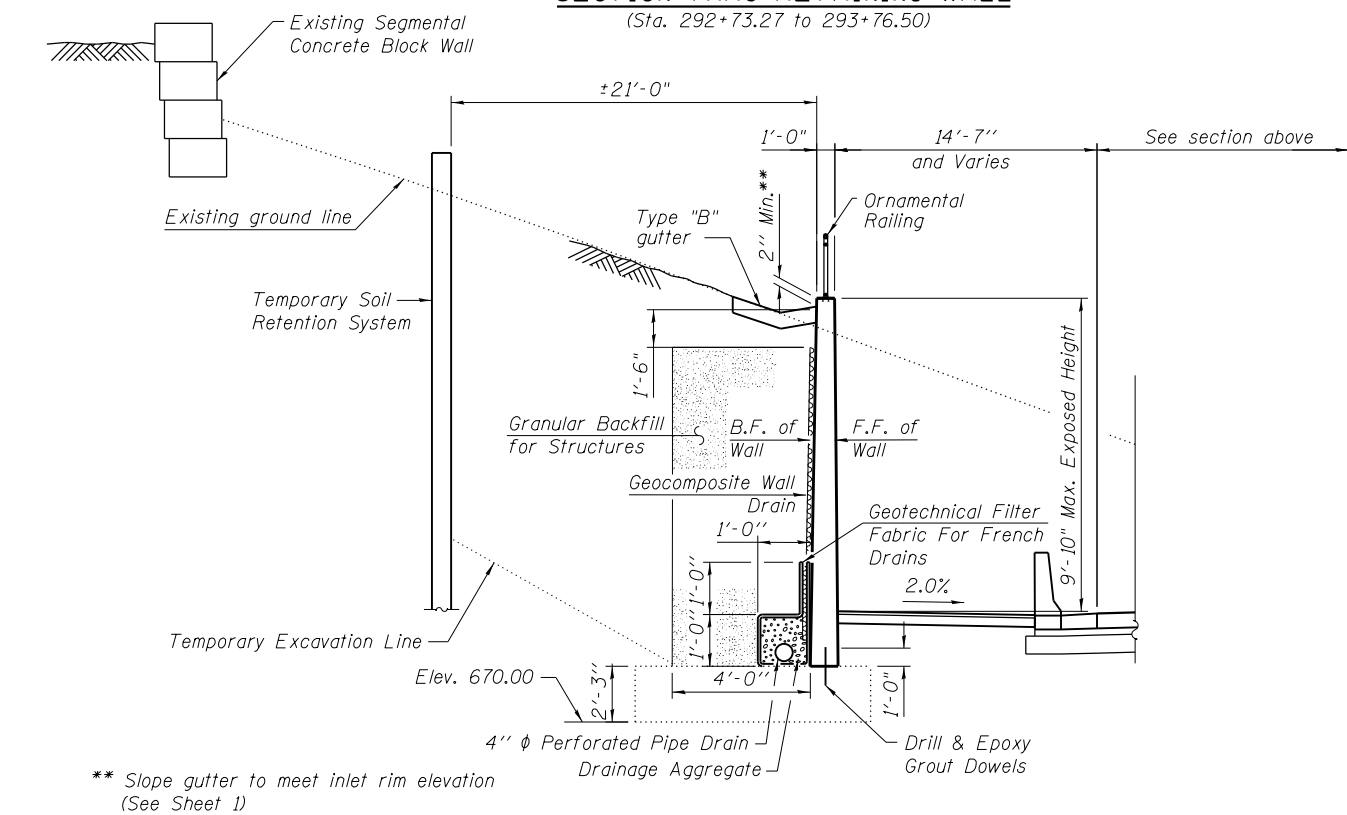
ITEM	UNIT	TOTAL
Granular Embankment, Special	Cu. Yd.	98
Concrete Removal	Cu. Yd.	412
Structure Excavation	Cu. Yd.	1,638
Removal and Disposal of Unsuitable Material for Structures	Cu. Yd.	93
Concrete Structures	Cu. Yd.	225.7
Form Liner Textured Surface	Sq. Ft.	1,366
Reinforcement Bars, Epoxy Coated	Pound	25,220
Geocomposite Wall Drain	Sq. Yd.	157
Removal of Temporary Soil Retention System	Sq. Ft.	218
Granular Backfill for Structures	Cu. Yd.	258
Ornamental Railing	Foot	182
Pipe Underdrains for Structures 4"	Foot	112
Temporary Soil Retention System	Sq. Ft.	1,427

INDEX OF SHEETS

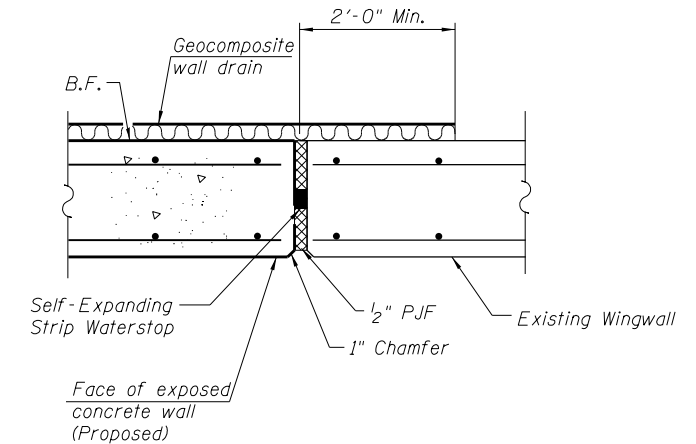
1. General Plan and Elevation
2. General Details and Bill of Material
3. Retaining Wall Plan and Elevation
4. Sections and Details
5. Removal Plan and Soil Retention System
6. Railing Details
7. Soil Borings



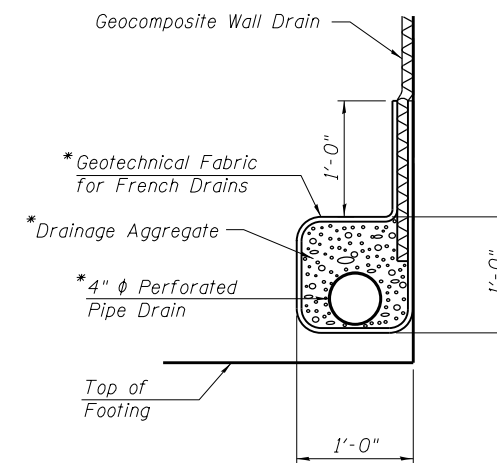
SECTION THRU RETAINING WALL
(Sta. 292+73.27 to 293+76.50)



SECTION THRU RETAINING WALL
(Sta. 293+76.50 to 293+90.50)



WATERSTOP DETAIL



PIPE UNDERDRAIN DETAIL

*Included in the cost of "Pipe Underdrains for Structures 4".

GENERAL NOTES

1. Reinforcement bars designated (E) shall be epoxy coated.
2. Construction joints shall be bonded.
3. The back face of Retaining Wall shall be waterproofed according to Article 503.18 of the Standard Specifications.
4. The form liner shall be a random Ashlar blend pattern consisting of the following block sizes:
 1. 28% - 4" X 18"
 2. 16% - 8" X 8"
 3. 28% - 8" X 11"
 4. 28% - 8" X 18"