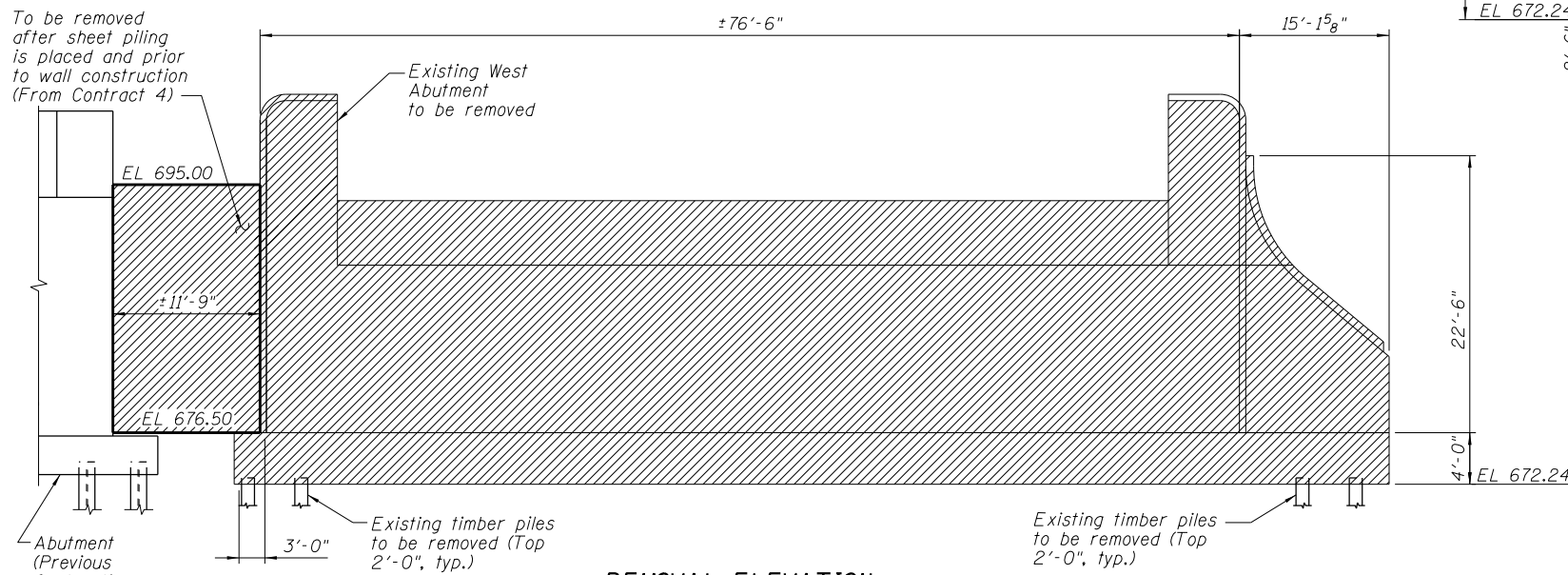


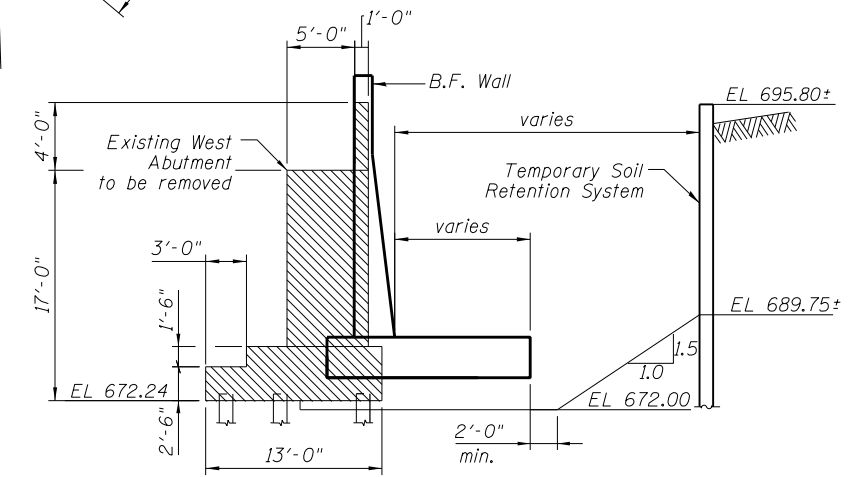
**TEMP. RETAINING WALL
REMOVAL SEQUENCE**

1. Remove section (A), approximate length = ±11'-9"
2. Remove section (B), approximate length = ±28'-6"

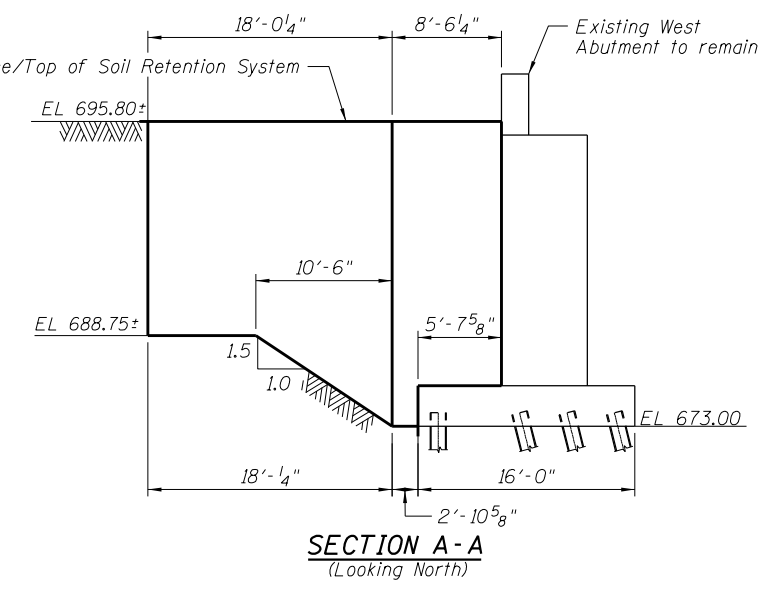
REMOVAL PLAN



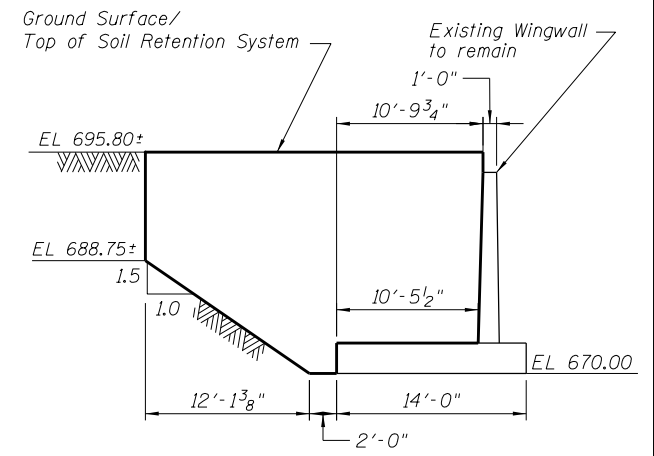
REMOVAL ELEVATION
(Looking West, Existing Only)



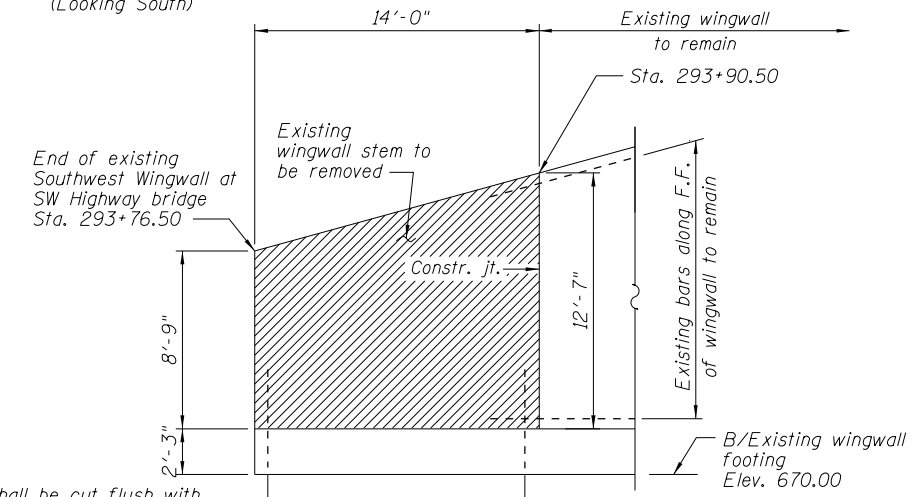
SECTION B-B
(Looking South)



SECTION A-A
(Looking North)



SECTION C-C
(Looking North)



SECTION D-D
(Looking West)

Notes:
Existing bars shall be cut flush with removal concrete except as noted otherwise.
Any existing remaining bars shall be blast cleaned to grey, metal straightened and incorporated with new work.

Notes:
1. Dimensions shown are along sheeting as shown in plan view.
2. "Concrete Removal" quantity based on existing drawings, Contractor to verify dimensions in field.

URS
100 S. WACKER DR.
SUITE 600
CHICAGO, IL 60606
TEL (312) 939-1000
FAX (312) 939-4998

FILE NAME = 0162003-60M62-005-Removal.dgn	USER NAME = Anthony.Plutz	DESIGNED - MJL	REVISD -	STATE OF ILLINOIS DEPARTMENT OF TRANSPORTATION	REMOVAL PLAN AND SOIL RETENTION SYSTEM STRUCTURE NO. 016-2003	F.A.P. RTE. = 330	SECTION = 103R-5	COUNTY = COOK	TOTAL SHEETS = 778	SHEET NO. = 407	
PLOT SCALE = 1/4" = 1'-0"	DRAWN - MJL/AMV	CHECKED - MGB	REVISD -			CONTRACT NO. 60M62					
PLOT DATE = 3/13/2013	CHECKED - MGB	REVISD -	REVISD -			SHEET NO. 5 OF 7 SHEETS					
ILLINOIS FED. AID PROJECT											