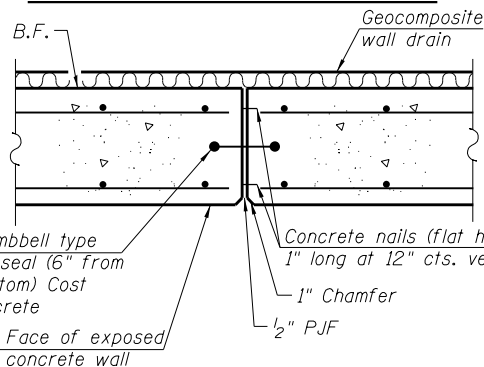


CONSTRUCTION JOINT DETAIL



EXPANSION JOINT DETAIL

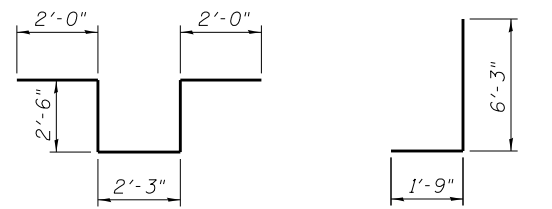
6" Hollow bulb dumbbell type nonmetallic water seal (6" from top of wall to bottom) Cast included with Concrete Structures

Concrete nails (flat head C.S.) 1" long at 12" cts. vertical

1" Chamfer

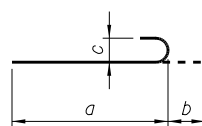
1/2" P/JF

Face of exposed concrete wall

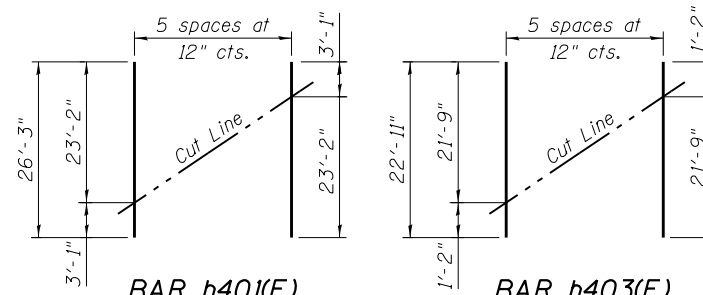


BAR d400(E) BAR d401(E)

Bar	a	b	c
n400(E)	5'-6"	7"	5"
n401(E)	10'-5"	1'-5"	1'-1 1/4"
n402(E)	8'-6"	1'-3"	11 3/4"
n405(E)	8'-11"	11"	8"



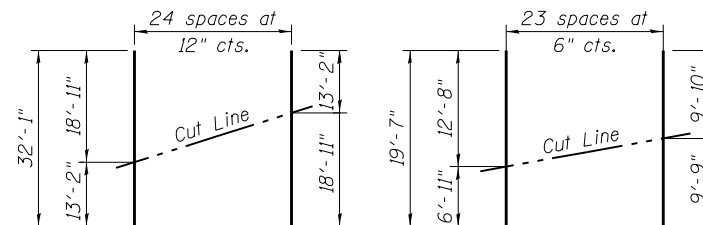
BARS n400(E), n401(E), n402(E) and n405(E)



BAR h401(E) BAR h403(E)

Order h401(E) bars full length. Cut as shown and use remainder of bars in opposite face of panel.

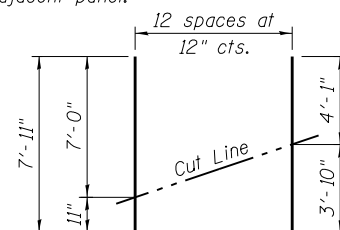
Order h403(E) bars full length. Cut as shown and use remainder of bars in opposite face of panel.



BAR v400(E) BAR v403(E)

Order v400(E) bars full length. Cut as shown and use remainder in F.F. of adjacent panel.

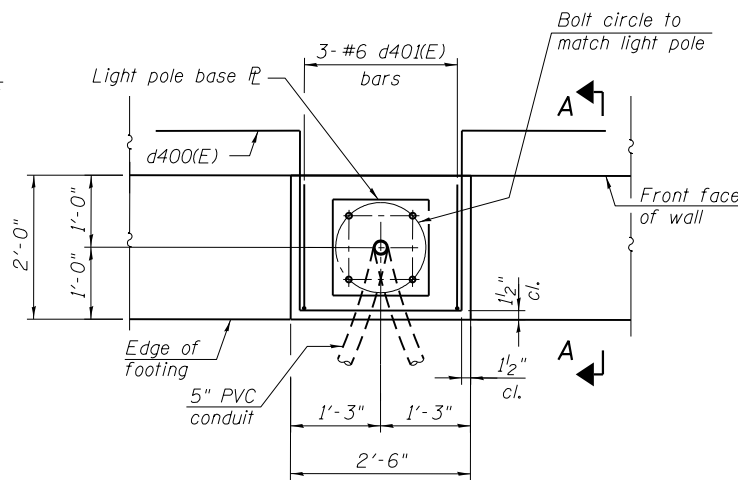
Order v403(E) bars full length. Cut as shown and use all in B.F. of panel.



BAR v405(E)

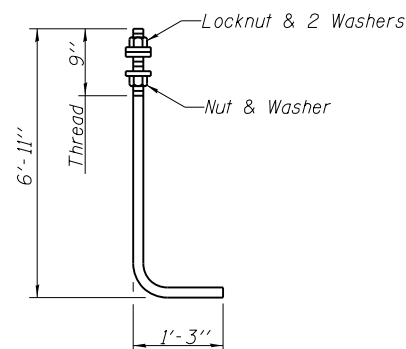
Order v405(E) bars full length. Cut as shown and use all in B.F. of panel.

CUTTING DIAGRAMS



PLAN

Note:
Cost of anchor rods, conduit and ground rods are included with Concrete Structures.



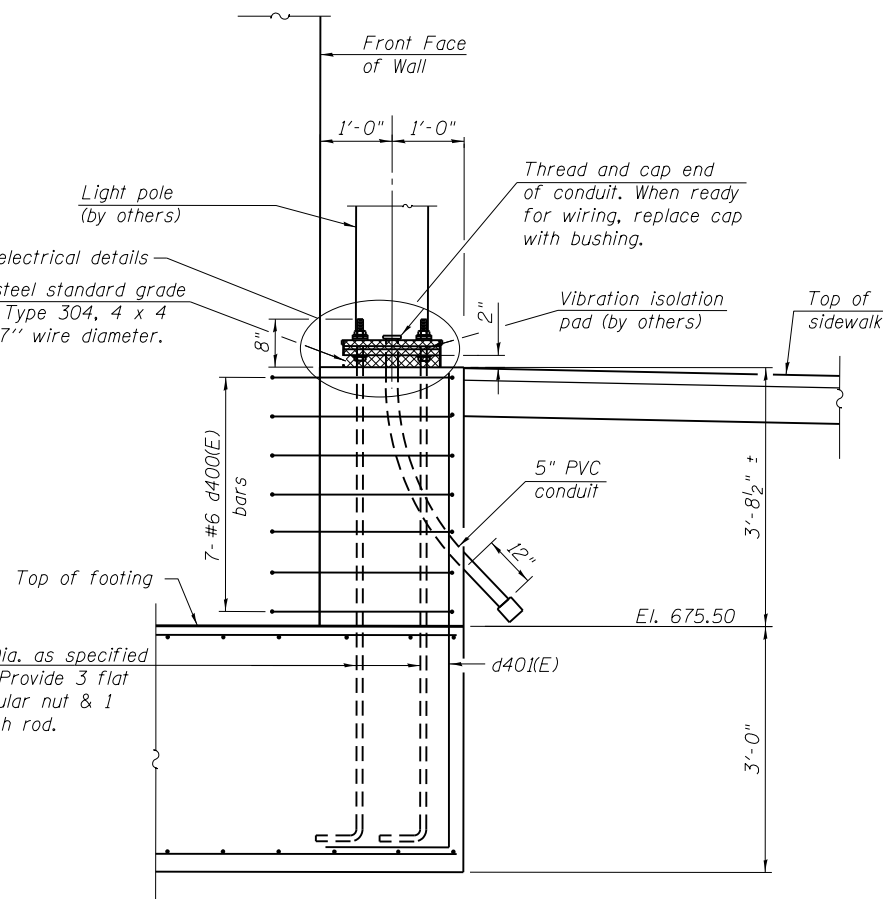
ANCHOR ROD

Diameter as specified for light poles. (ASTM F 1554 Grade 105)

WALL BILL OF MATERIAL

Bar	No.	Size	Length	Shape
d400(E)	7	#6	11'-3"	U
d401(E)	3	#6	8'-0"	J
h400(E)	30	#5	26'-8"	—
h401(E)	6	#5	26'-3"	—
h402(E)	42	#5	23'-4"	—
h403(E)	6	#5	22'-11"	—
h404(E)	30	#5	40'-1"	—
h405(E)	30	#5	36'-9"	—
h406(E)	16	#5	2'-11"	—
n400(E)	122	#5	6'-1"	U
n401(E)	41	#10	11'-10"	U
n402(E)	25	#9	9'-9"	U
n403(E)	4	#5	3'-9"	—
n404(E)	7	#10	9'-3"	—
n405(E)	76	#8	9'-10"	U
v400(E)	89	#9	14'-8"	—
v401(E)	65	#5	14'-8"	—
v402(E)	300	#7	14'-8"	—
v400(E)	25	#5	32'-1"	—
v401(E)	25	#5	8'-8"	—
v402(E)	48	#8	13'-2"	—
v403(E)	24	#6	19'-7"	—
v404(E)	25	#5	12'-0"	—
v405(E)	13	#5	7'-11"	—
v406(E)	76	#5	13'-2"	—
v407(E)	76	#5	11'-11"	—
w400(E)	160	#5	26'-0"	—
Concrete Structures		Cu. Yd.	329.0	
Reinforcement Bars, Epoxy Coated		Pound	34,450	

Bars indicated thus 14 x 2-#5 etc. indicates 14 lines of bars with 2 lengths per line.



SECTION A-A

LIGHT POLE DETAILS

FILE NAME = 0162004-60M62-005-det.dgn	USER NAME = Anthony.Plutz	DESIGNED - MJL	REVISED -
		CHECKED - NPP	REVISED -
		PLOT SCALE = 0:2.0000 1' = 1/4" in.	DRAWN - AMV
		PLOT DATE = 3/13/2013	CHECKED - MJL
			REVISED -

F.A.P R.T.E.	SECTION	COUNTY	TOTAL SHEETS	SHEET NO.
330	103R-5	COOK	778	414
				CONTRACT NO. 60M62
ILLINOIS FED. AID PROJECT				