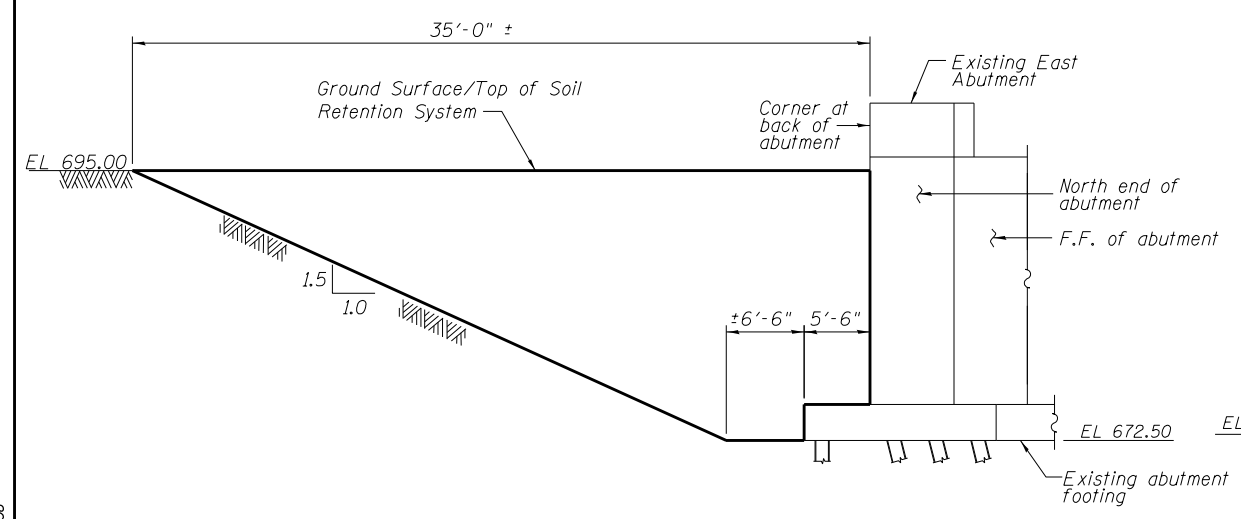
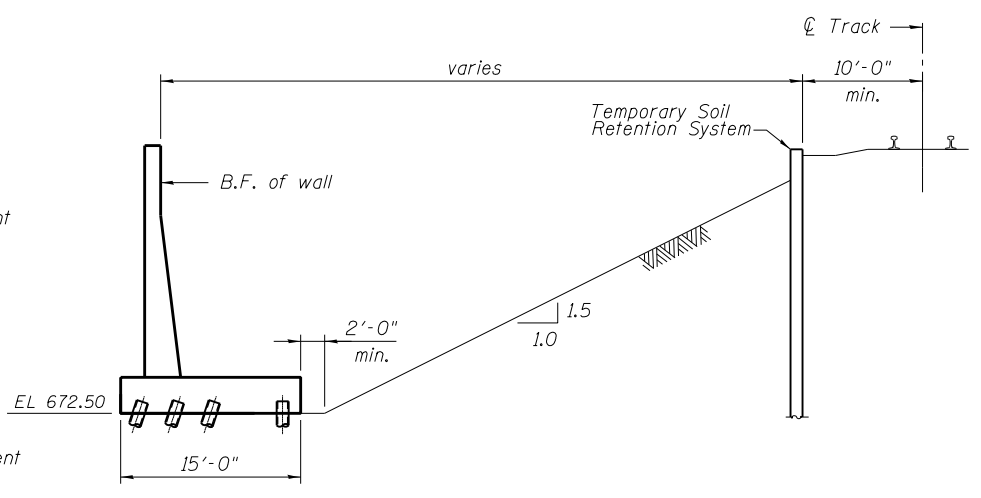


Note:
Portions of the Temporary Soil Retention System adjacent to railroad tracks shall be designed for railroad surcharge loading.

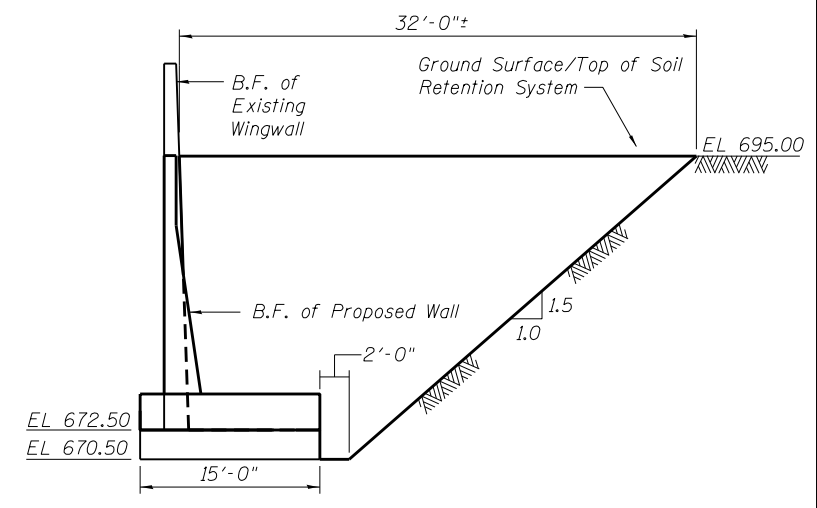
PLAN



SECTION A-A



SECTION B-B



SECTION C-C

100 S. WACKER DR.
 SUITE 600
 CHICAGO, IL 60606
 TEL (312) 939-1000
 FAX (312) 939-4998
URS

FILE NAME = 0162004-60M62-006-Retention.dgn	USER NAME = Anthony.Plutz	DESIGNED - MAI	REVISED -
		CHECKED - NPP	REVISED -
	PLOT SCALE = 1/8" = 1' in.	DRAWN - AMV	REVISED -
	PLOT DATE = 3/13/2013	CHECKED - NPP	REVISED -

**STATE OF ILLINOIS
DEPARTMENT OF TRANSPORTATION**

**SOIL RETENTION PLAN AND SECTION
STRUCTURE NO. 016-2004**

SHEET NO. 6 OF 10 SHEETS

F.A.P. RTE. 330	SECTION 103R-5	COUNTY COOK	TOTAL SHEETS 778	SHEET NO. 415
CONTRACT NO. 60M62				
ILLINOIS FED. AID PROJECT				