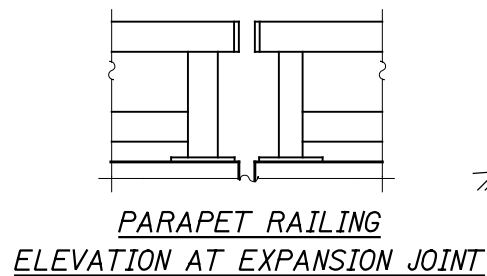
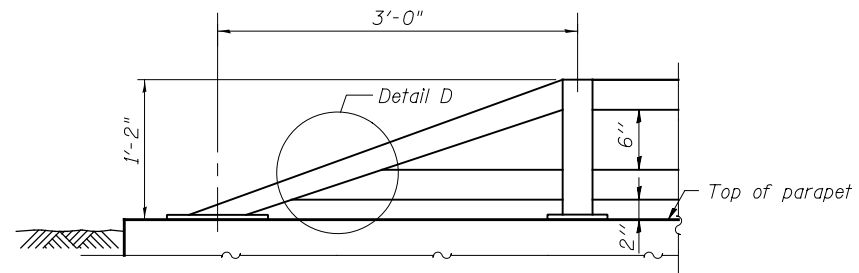


PARAPET RAILING
ELEVATION
(Inside Face of Rail)

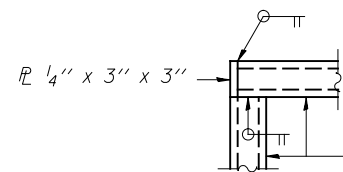


PARAPET RAILING
ELEVATION AT EXPANSION JOINT

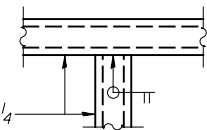


PARAPET RAILING
AT END SECTION

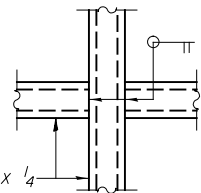
Note:
All post, railing, splices, anchor devices, and bent plates shall be painted using the inorganic zinc-rich/waterborne acrylic paint system as described in the special provision "Cleaning and Painting New Metal Structures." Color of painted railing to be black.



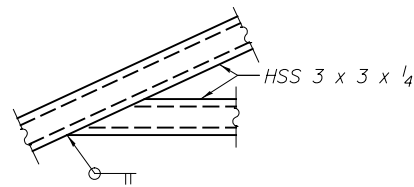
DETAIL A



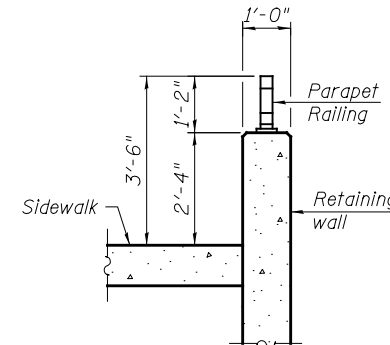
DETAIL B



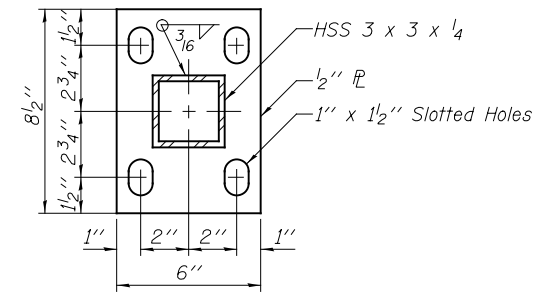
DETAIL C



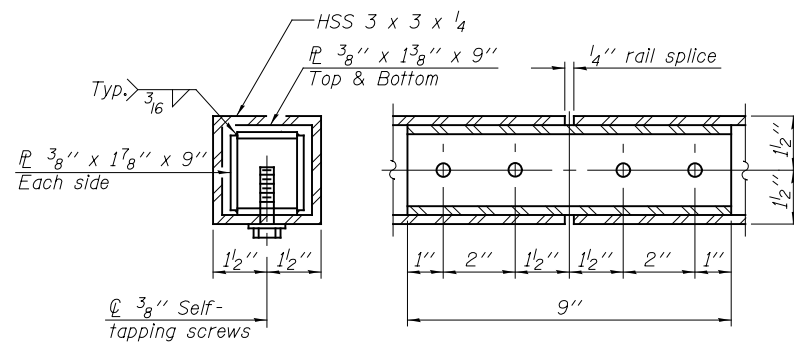
DETAIL D



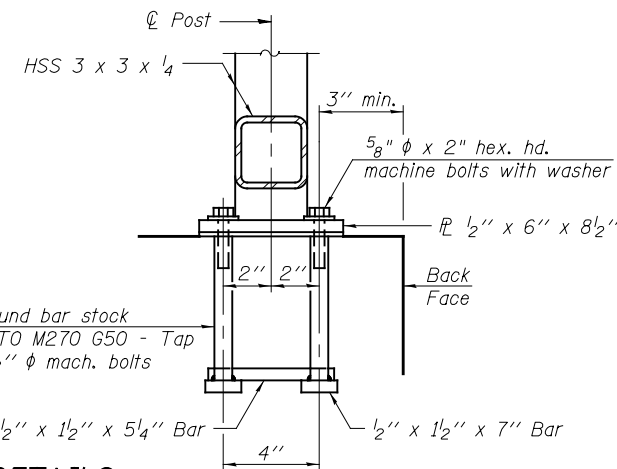
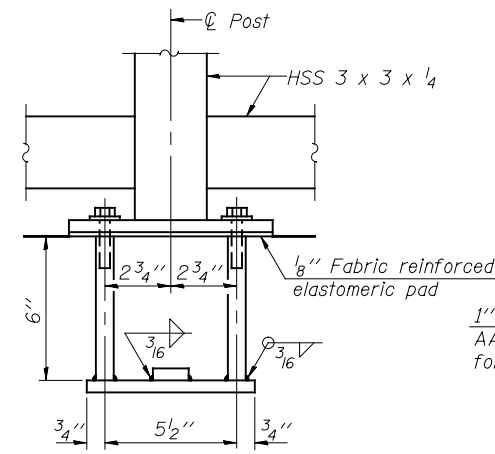
SECTION THRU RAILING



BASE PLATE



RAIL SPLICE



ANCHOR BOLT DETAILS

In lieu of the cast-in-place anchor device shown, the Contractor has the option of drilling and setting 5/8" ϕ anchor rods according to Article 509.06 of the Standard Specifications. Embedment shall be according to the manufacturer's specifications.

100 S. WACKER DR.
SUITE 600
CHICAGO, IL 60606
TEL (312) 939-1000
FAX (312) 939-4998

URS

BILL OF MATERIAL

Item	Unit	Quantity
Parapet Railing	Foot	1,019

FILE NAME = 0162005-60M62-011-Rail.dgn	USER NAME = orsalan_khan	DESIGNED - PMH	REVISED -
		CHECKED - AMK	REVISED -
	PLOT SCALE = 0:2.0000 '1' / in.	DRAWN - PMH	REVISED -
	PLOT DATE = 3/22/2013	CHECKED - AMK	REVISED -

STATE OF ILLINOIS
DEPARTMENT OF TRANSPORTATION

PARAPET RAILING
STRUCTURE NO. 016-2005

SHEET NO. 11 OF 21 SHEETS

F.A.P. RTE.	SECTION	COUNTY	TOTAL SHEETS	SHEET NO.
330	103R-5	COOK	778	430
CONTRACT NO. 60M62				
ILLINOIS FED. AID PROJECT				