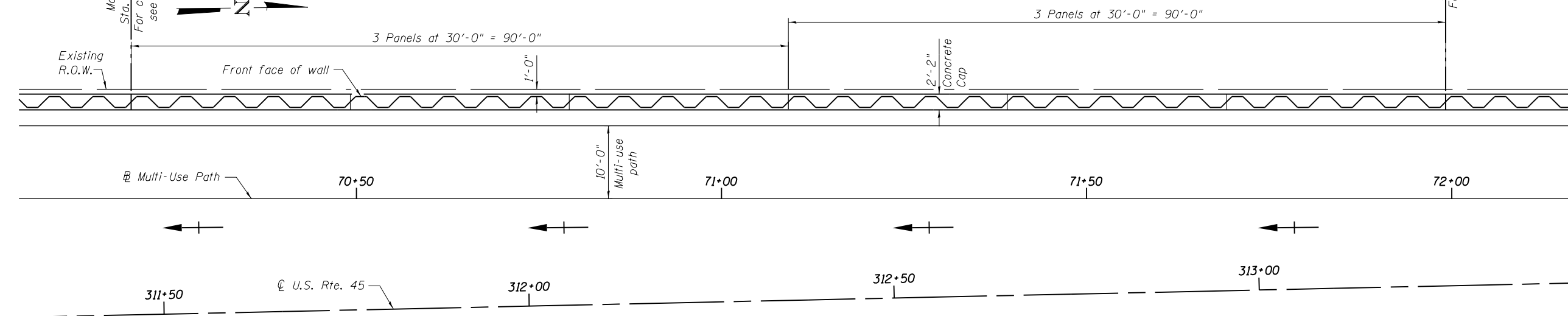


ELEVATION
(Looking West)



PLAN

MINIMUM BAR LAP
#5 bar = 3'-8"

- Notes:
1. For Bar List see Sheet 8.
 2. For Typical Details see Sheet 2.
 3. For Railing Details see Sheet 8.
 4. Bars indicated thus 3x2-#5 etc. indicates 3 lines of bars with 2 lengths per line.

100 S. WACKER DR.
 SUITE 600
 CHICAGO, IL 60606
 TEL (312) 939-1000
 FAX (312) 939-4998
URS

FILE NAME = 0162006-60M62-007-pln.dgn	USER NAME = Anthony.Plutz	DESIGNED - PMH	REVISED -	STATE OF ILLINOIS DEPARTMENT OF TRANSPORTATION	DETAILED PLAN AND ELEVATION 5 STRUCTURE NO. 016-2006	F.A.P. RTE. 330	SECTION 103R-5	COUNTY COOK	TOTAL SHEETS 778	SHEET NO. 447	
PLOT SCALE = 16.0000' / in.	DRAWN - AMV	CHECKED - AMK	REVISED -			CONTRACT NO. 60M62					
PLOT DATE = 3/13/2013	CHECKED - AMK	REVISED -	REVISED -			SHEET NO. 7 OF 21 SHEETS					
						ILLINOIS FED. AID PROJECT					