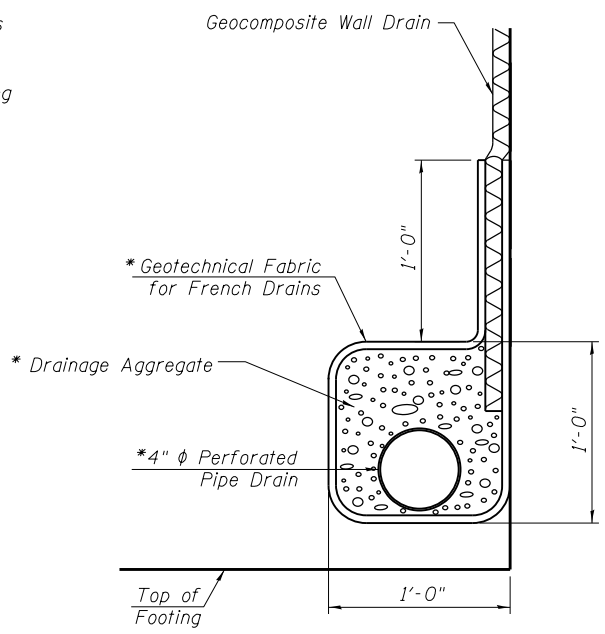


GENERAL NOTES

1. Reinforcement bars designated (E) shall be epoxy coated.
2. Cut wall reinforcement as required to fit 8" ϕ PVC Pipe Sleeves for 4" Pipe Drains.
3. The form liner shall be a random Ashlar blend pattern consisting of the following block sizes:
 1. 28% - 4" X 18"
 2. 16% - 8" X 8"
 3. 28% - 8" X 11"
 4. 28% - 8" X 18"



PIPE UNDERDRAIN DETAIL

* Included in the cost of "Pipe Underdrains for Structures 4."

INDEX OF SHEETS

1. General Plan & Elevation
2. General Details & Bill of Material
3. Detailed Plan and Elevation 1
4. Detailed Plan and Elevation 2
5. Detailed Plan and Elevation 3
6. Detailed Plan and Elevation 4
7. Sections and Details
8. Bill of Material
9. Parapet Railing
10. Soil Borings 1
11. Soil Borings 2
12. Soil Borings 3

TYPICAL WALL SECTION

Note B:
Provide 8" ϕ PVC Pipe Sleeve embedded in concrete for 4" ϕ Pipe Drain. Cost included in "Pipe Drains 4." For locations and invert elevations see Sheets 3 thru 6.

TOTAL BILL OF MATERIAL

ITEM	UNIT	TOTAL
Granular Embankment, Special	Cu. Yd.	265
Structure Excavation	Cu. Yd.	3,328
Removal and Disposal of Unsuitable Material for Structures	Cu. Yd.	265
Concrete Structures	Cu. Yd.	1,397.8
Form Liner Textured Surface	Sq. Ft.	10,272
Reinforcement Bars, Epoxy Coated	Pound	201,020
Parapet Railing	Foot	732
Geocomposite Wall Drain	Sq. Yd.	993
Granular Backfill for Structures	Cu. Yd.	1,498
Pipe Underdrains for Structures 4"	Foot	840

100 S. WACKER DR.
 SUITE 600
 CHICAGO, IL 60606
 TEL (312) 935-1000
 FAX (312) 935-4998
URS