

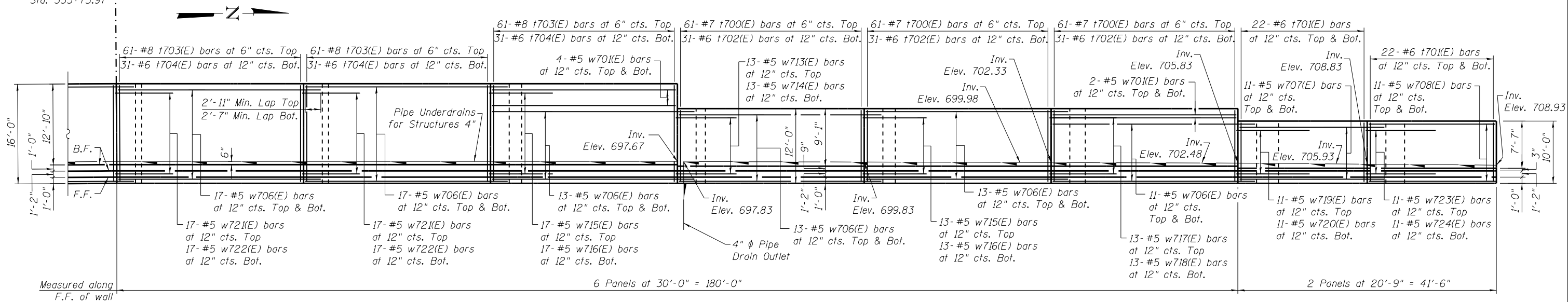
LEGEND

- F.F. = Front Face of Wall
- B.F. = Back Face of Wall
- E.F. = Each Face of Wall
- (1) = Panel No.

NOTES

1. For Bar List & Detail 2 see Sheet 8.
2. For Typical Details see Sheet 2.
3. For Sections B-B, D-D & E-E see Sheet 7.
4. For Railing Details see Sheet 9.
5. Bars indicated thus 1 x 3-#8 etc. indicates 1 line of bars with 3 lengths per line.

WALL ELEVATION
(Looking at F.F. of Wall)



FOOTING PLAN

100 S. WACKER DR.
 SUITE 600
 CHICAGO, IL 60606
 TEL (312) 939-1000
 FAX (312) 939-4998
URS

FILE NAME =	USER NAME = Anthony.Plutz	DESIGNED - PMH	REVISED -
0162007-60M62-006-pln.dgn		CHECKED - MJL	REVISED -
		DRAWN - PMH	REVISED -
		CHECKED - MJL	REVISED -

STATE OF ILLINOIS
DEPARTMENT OF TRANSPORTATION

DETAILED PLAN AND ELEVATION 4
STRUCTURE NO. 016-2007

SHEET NO. 6 OF 12 SHEETS

F.A.P. RTE.	SECTION	COUNTY	TOTAL SHEETS	SHEET NO.
330	103R-5	COOK	778	467
CONTRACT NO. 60M62				
ILLINOIS FED. AID PROJECT				