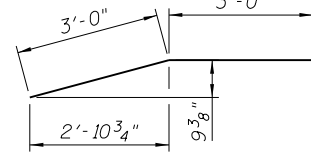
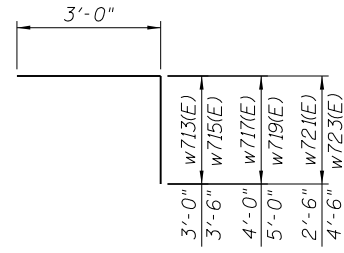


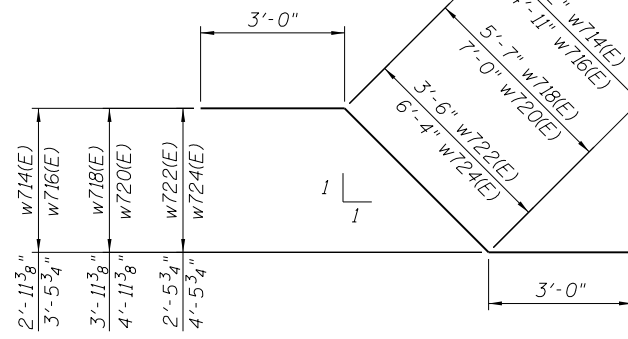
**BARS n700(E), n701(E),  
n702(E) & n705(E)**



**BAR w725(E)**



**BARS w713(E), w715(E), w717(E),  
w719(E), w721(E) & w723(E)**



**BARS w714(E), w716(E), w718(E),  
w720(E), w722(E) & w724(E)**

**BILL OF MATERIAL**

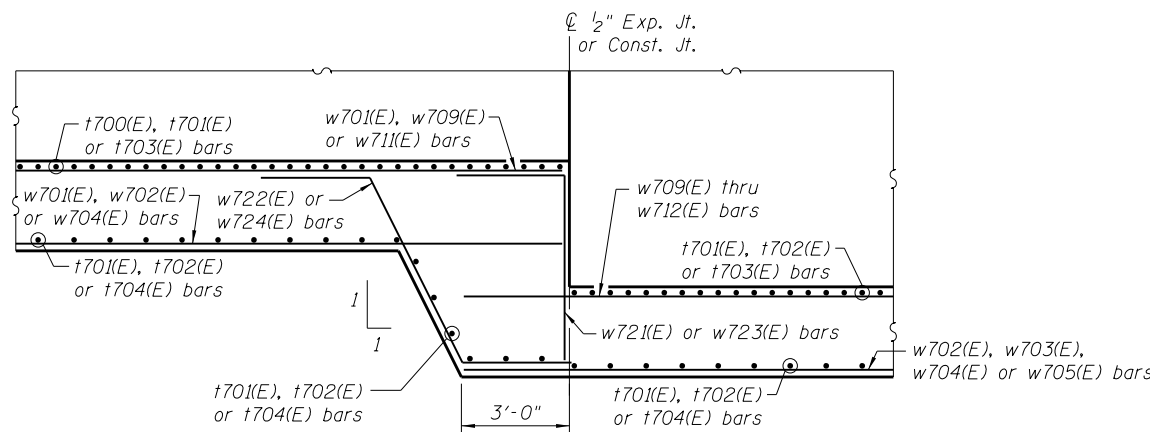
Bar	No.	Size	Length	Shape
h700(E)	546	#5	33'-0"	—
h701(E)	304	#5	29'-8"	—
h702(E)	18	#5	23'-9"	—
h703(E)	24	#5	20'-5"	—
h704(E)	16	#5	4'-6"	—
h705(E)	16	#5	4'-0"	—
n700(E)	61	#5	8'-2"	—
n701(E)	328	#5	5'-7"	—
n702(E)	732	#8	8'-5"	—
n703(E)	31	#5	7'-7"	—
n704(E)	726	#5	5'-6"	—
n705(E)	366	#8	11'-8"	—
t700(E)	365	#7	11'-8"	—
t701(E)	490	#6	9'-8"	—
t702(E)	185	#6	11'-8"	—
t703(E)	726	#8	15'-8"	—
t704(E)	366	#6	15'-8"	—

**BILL OF MATERIAL (cont.)**

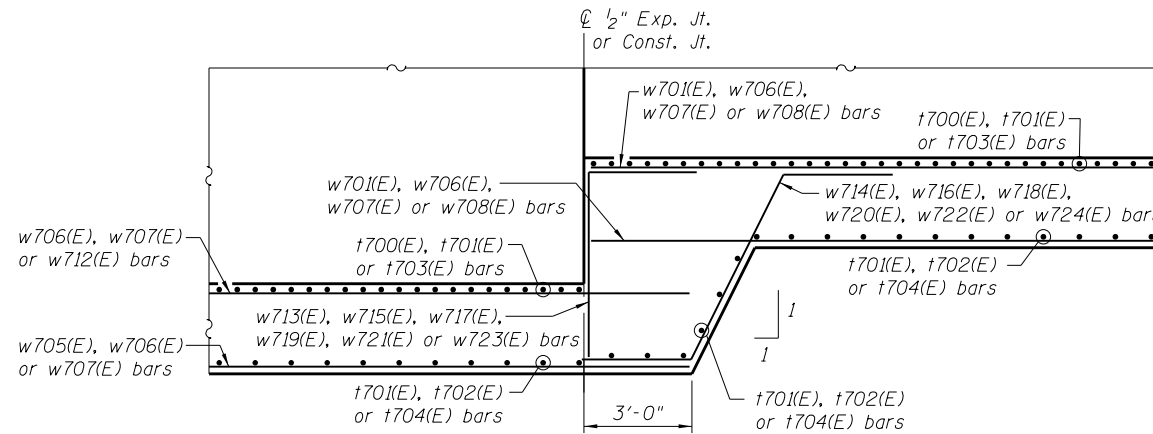
Bar	No.	Size	Length	Shape
v700(E)	167	#5	6'-1"	—
v701(E)	169	#5	8'-4"	—
v702(E)	214	#5	10'-11"	—
v703(E)	183	#5	8'-10"	—
v704(E)	183	#5	7'-1"	—
v706(E)	732	#8	11'-10"	—
v707(E)	122	#5	8'-8"	—
v708(E)	205	#5	9'-2"	—
v709(E)	122	#5	10'-3"	—
v710(E)	184	#5	11'-5"	—
v711(E)	215	#5	12'-4"	—
v712(E)	103	#5	9'-7"	—
v713(E)	64	#5	6'-11"	—
v714(E)	62	#5	13'-6"	—
v715(E)	93	#5	17'-1"	—
v716(E)	62	#5	17'-10"	—
v717(E)	62	#5	18'-6"	—
v718(E)	62	#5	19'-8"	—
v719(E)	31	#5	20'-2"	—
v720(E)	31	#5	20'-8"	—
v721(E)	31	#5	19'-0"	—
v722(E)	31	#5	15'-11"	—
v723(E)	31	#5	14'-4"	—
w700(E)	44	#5	17'-9"	—
w701(E)	60	#5	29'-8"	—
w702(E)	72	#5	22'-9"	—
w703(E)	11	#5	35'-9"	—
w704(E)	102	#5	27'-9"	—
w705(E)	68	#5	26'-0"	—
w706(E)	202	#5	32'-8"	—
w707(E)	22	#5	23'-5"	—
w708(E)	22	#5	20'-5"	—
w709(E)	72	#5	23'-0"	—
w710(E)	11	#5	36'-0"	—
w711(E)	102	#5	28'-0"	—
w712(E)	68	#5	26'-3"	—
w713(E)	30	#5	6'-0"	—
w714(E)	30	#5	10'-2"	—
w715(E)	30	#5	6'-6"	—
w716(E)	30	#5	10'-11"	—
w717(E)	13	#5	7'-0"	—
w718(E)	13	#5	11'-7"	—
w719(E)	11	#5	8'-0"	—
w720(E)	11	#5	13'-0"	—
w721(E)	86	#5	5'-6"	—
w722(E)	86	#5	9'-6"	—
w723(E)	24	#5	7'-6"	—
w724(E)	24	#5	12'-4"	—
w725(E)	22	#5	6'-0"	—

Reinforcement Bars, Epoxy Coated	Pound	201,020
Concrete Structures	Cu. Yd.	1,397.8

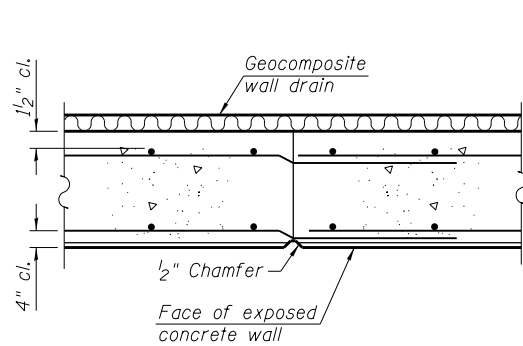
Bars indicated thus 1 x 3-#8 etc. indicates 1 line of bars with 3 lengths per line.



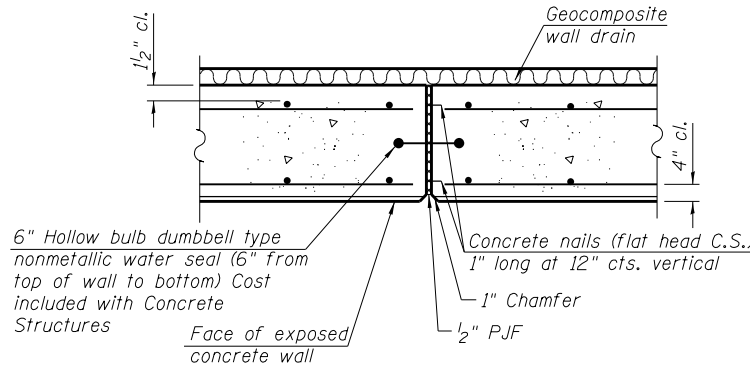
**DETAIL 1**



**DETAIL 2**



**CONSTRUCTION JOINT DETAIL**



**EXPANSION JOINT DETAIL**

FILE NAME =	USER NAME = Anthony.Plutz	DESIGNED - PMH	REVISED -
0162007-60M62-008-bom.dgn		CHECKED - MJL	REVISED -
		DRAWN - PMH	REVISED -
		CHECKED - MJL	REVISED -

F.A.P. R.T.E.	SECTION	COUNTY	TOTAL SHEETS	SHEET NO.
330	103R-5	COOK	778	469
ILLINOIS FED. AID PROJECT			CONTRACT NO. 60M62	