

NOTES:

1. Prior to Fabrication of Metra Emblem, the Contractor shall obtain the current Standards and Specifications of the Emblem from Metra.
2. The cost of mounting plate, stainless steel letters, connection plates, standoff brackets and all other associated connections, hardware and field drilling shall be included in the lump sum bid price for "RAILROAD EMBLEM".
3. The mounting plate and all associated connections, hardware and brackets shall be painted in accordance with Specification "RAILROAD EMBLEM".

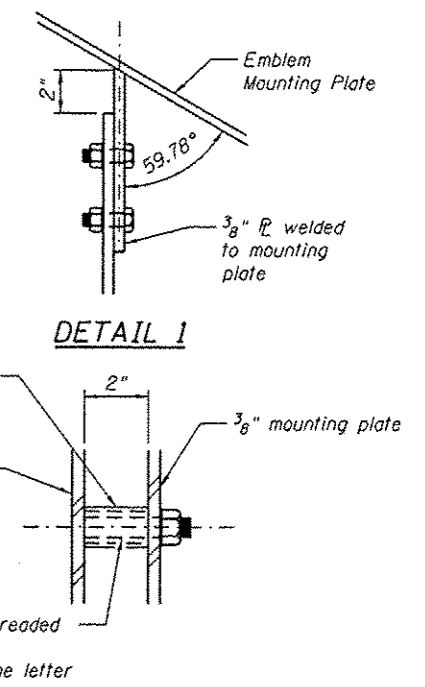
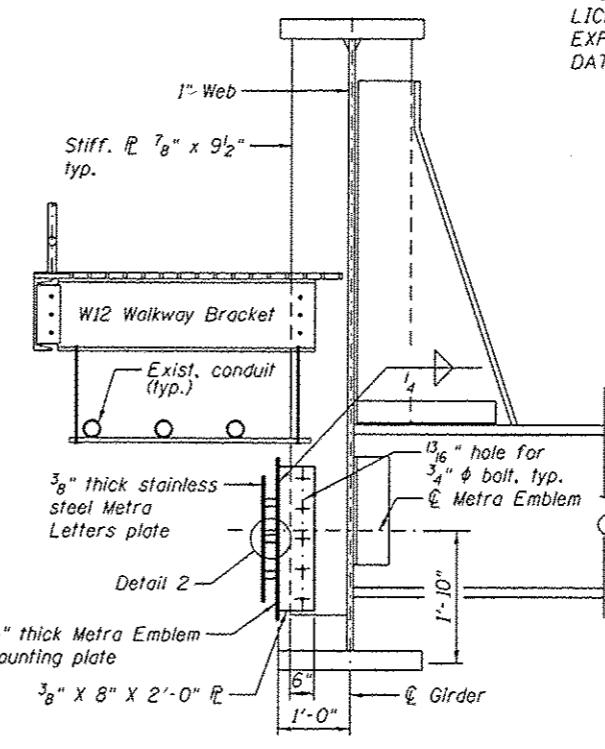
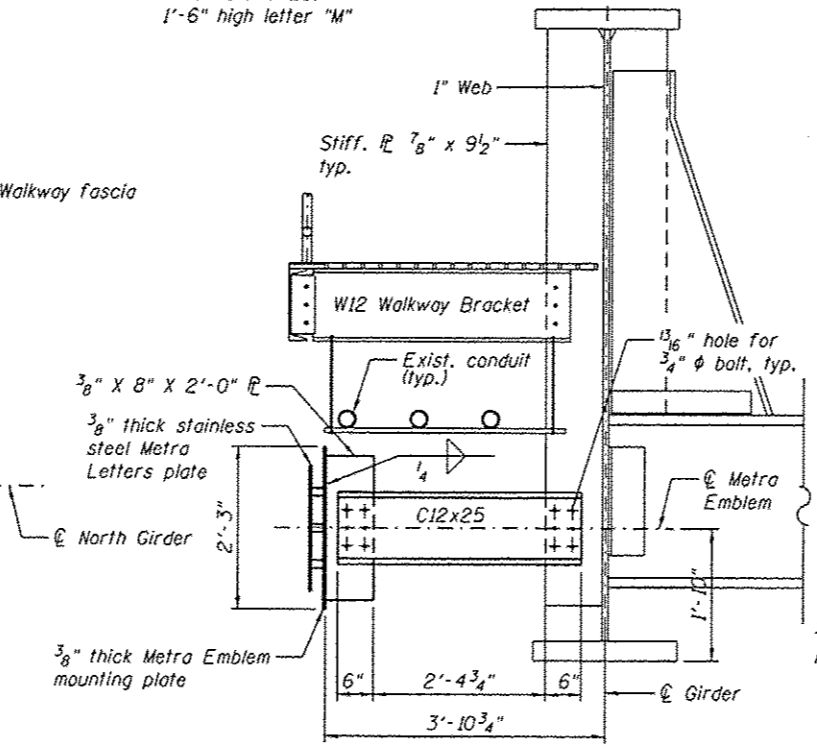
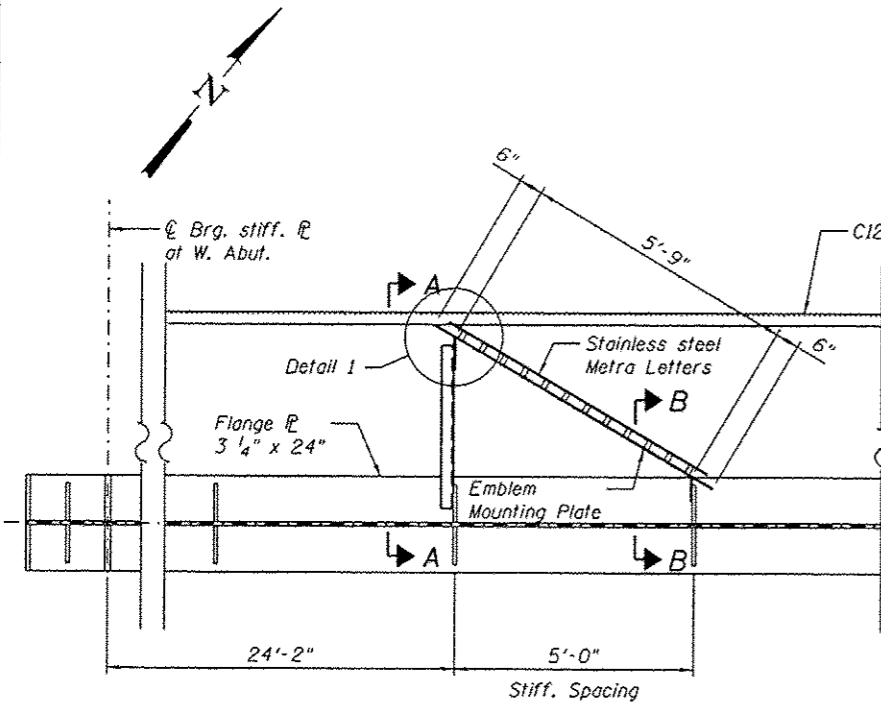
Metra Letters to be cut from 3/8" thick stainless steel plate
 Note: The "bottoms" of each letter shall be horizontal along the grid lines.

Stainless steel pipe spacer (Typ.)
 See detail 2. Spacing to miss connection plates.



Arsalan M. Khan
 ARSALAN M. KHAN, S.E.
 LICENSE NO.: 081-006258
 EXPIRES: NOVEMBER 30, 2014
 DATE: 03-13-2013

RAILROAD EMBLEM
 (1 REQUIRED)
 1'-6" high letter "M"



PLAN OF RAILROAD EMBLEM MOUNTING DETAIL

SECTION A-A

SECTION B-B

DETAIL 2

07 315-2013

URS
 400 S. WACKER DR.
 SUITE 500
 CHICAGO, IL 60606
 TEL 312/335-0000
 FAX 312/335-0988

FILE NAME = 0166201-60M62-001-det1.dgn	USER NAME = Kyle_Pearl	DESIGNED - KJZ	REVISIONS -	STATE OF ILLINOIS DEPARTMENT OF TRANSPORTATION	RAILROAD EMBLEM MOUNTING DETAILS SN: 016-6201	F.A.P. RTE. = 330	SECTION = 103R-5	COUNTY = COOK	TOTAL SHEETS = 178	SHEET NO. = 476	
PLOT SCALE = 4:0.0000 1" = 4'	DRAWN - KJZ	CHECKED - DEM	REVISIONS -			CONTRACT NO. 60M62					
PLOT DATE = 3/15/2013	CHECKED - DEM	REVISIONS -	REVISIONS -			ILLINOIS FED. AID PROJECT					
SHEET NO. 1 OF 2 SHEETS											