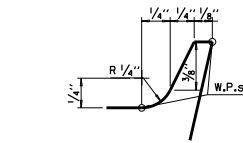
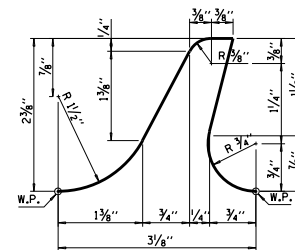


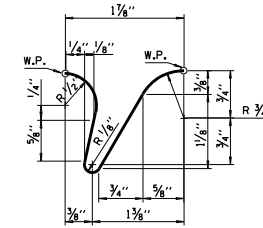
**DETAIL A**  
NOT TO SCALE



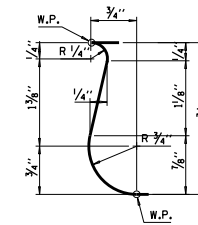
**DETAIL B**  
NOT TO SCALE



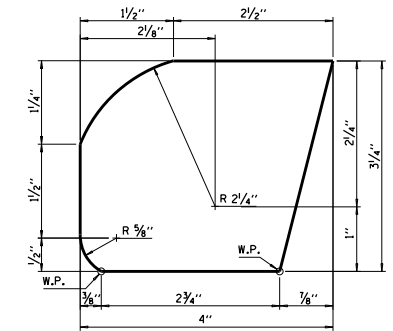
**DETAIL D**  
NOT TO SCALE



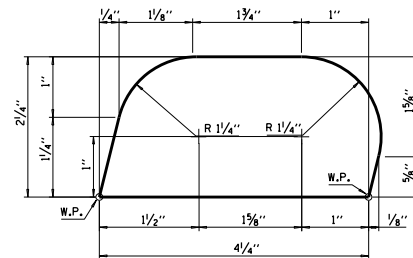
**DETAIL E**  
NOT TO SCALE



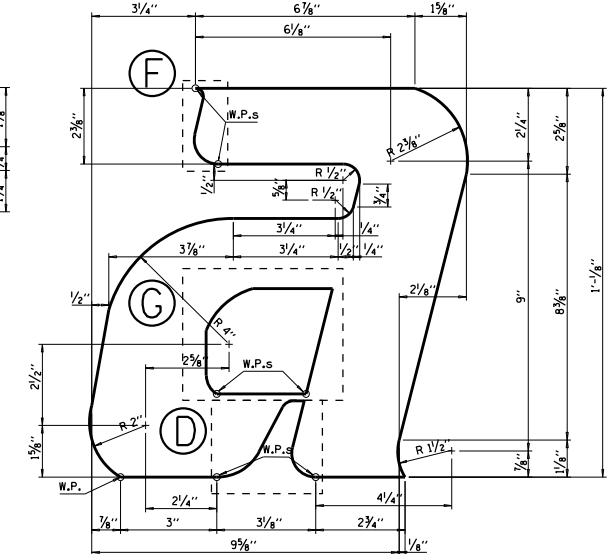
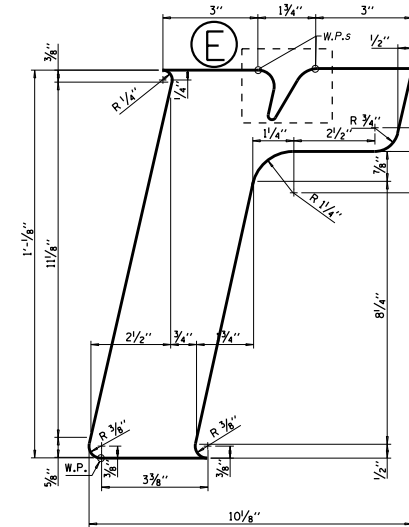
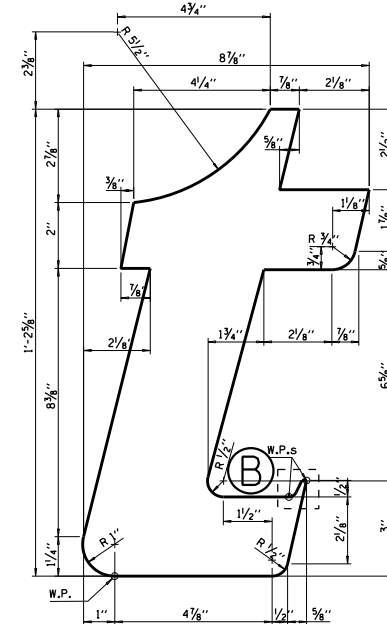
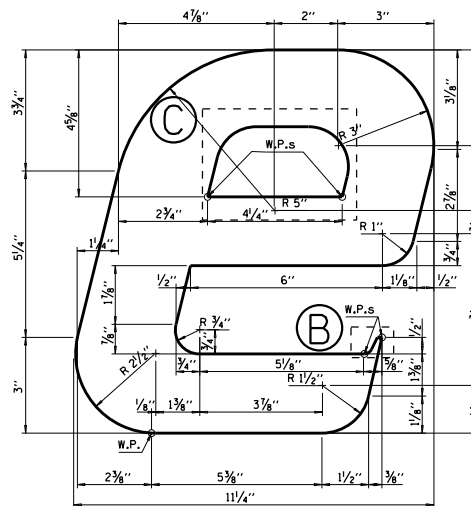
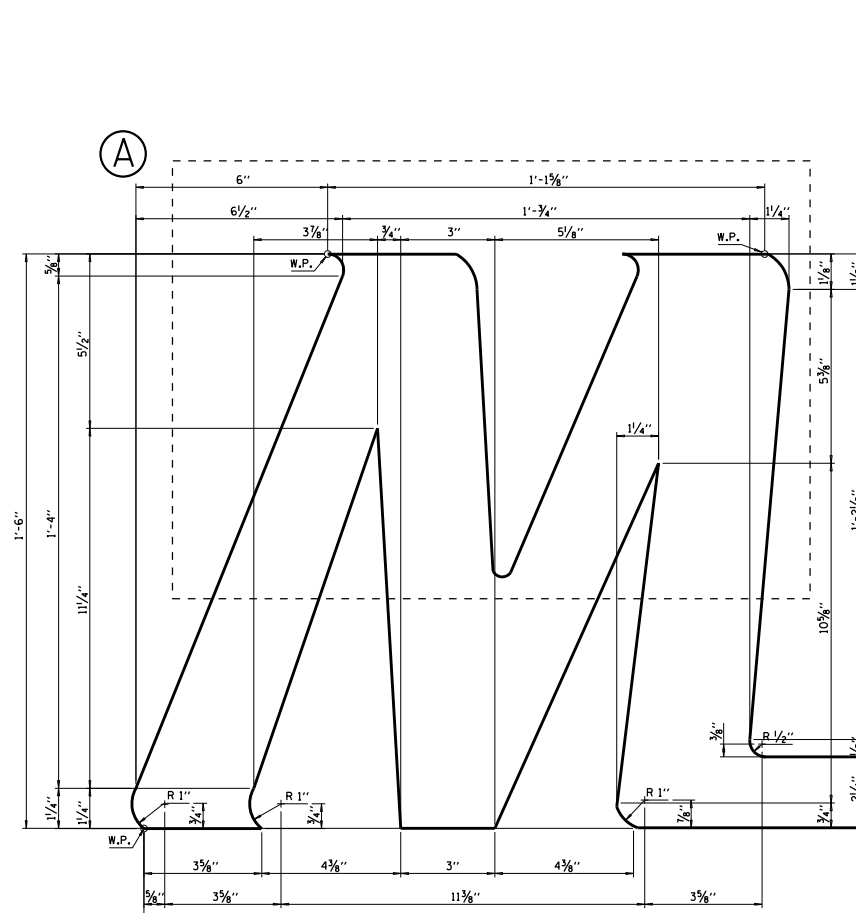
**DETAIL F**  
NOT TO SCALE



**DETAIL G**  
NOT TO SCALE



**DETAIL C**  
NOT TO SCALE



**RAILROAD EMBLEM DETAILS**  
NOT TO SCALE

URS  
100 S. WACKER DR.  
SUITE 400  
CHICAGO, IL 60606  
TEL (312) 939-1000  
FAX (312) 939-4998

FILE NAME = 0166201-60M62-002-det.dgn	USER NAME = Anthony.Plutz	DESIGNED - KJZ	REVISED -
		CHECKED - DEM	REVISED -
		PLOT SCALE = 0:6.0000 1' / in.	REVISED -
		DRAWN - KJZ	REVISED -
		CHECKED - DEM	REVISED -
		PLOT DATE = 3/13/2013	

**STATE OF ILLINOIS**  
**DEPARTMENT OF TRANSPORTATION**

**RAILROAD EMBLEM DETAILS**  
**SN 016-6201**

SHEET NO. 2 OF 2 SHEETS

F.A.P. RTE. 330	SECTION 103R-5	COUNTY COOK	TOTAL SHEETS 778	SHEET NO. 477
				CONTRACT NO. 60M62
ILLINOIS FED. AID PROJECT				