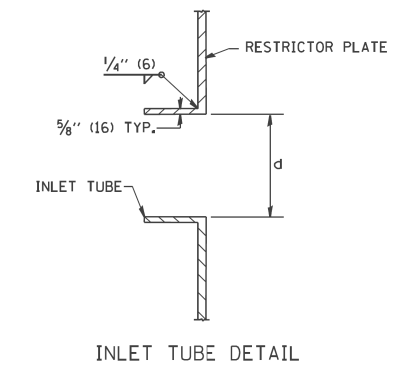
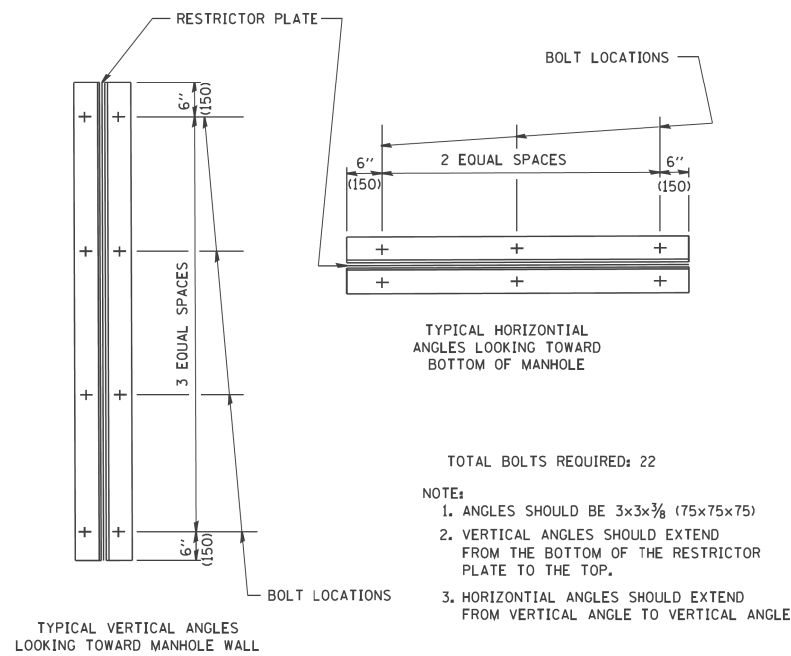


- NOTES:
1. ALL STEEL ANGLES AND PLATES TO BE GALVANIZED AFTER FABRICATION.
 2. ALL RESTRICTOR PLATES, ANGLES AND HARDWARE TO BE INCLUDED IN THE COST OF THE MANHOLE.
 3. BASIS OF PAYMENT: "MANHOLES, TYPE A, 6 FT. (1.8 m)-DIAMETER, TYPE 1 FRAME, CLOSED LID, RESTRICTOR PLATE" EACH



MANHOLE, TYPE A WITH 2 - TYPE 1 FRAMES, CLOSED LID, RESTRICTOR PLATE	MH DIA (FT)	RIM ELEVATION (FT)	ELEVATION OF TOP OF PLATE (FT)	RESTRICTOR INVERT (FT)	INSIDE RESTRICTOR DIAMETER (INCH)	RESTRICTOR TYPE
926 STA. 295+00.0 R	8	679.00	677.00	672.26	34.2	3
948 STA. 297+26.0 R	7	680.76	678.70	674.00	12.5	3
808 STA. 306+25.0 R	6	689.03	685.00	680.80	7.8	3
620 STA. 309+60.0 R	5	688.68	686.00	676.00	13.7	3
522 STA. 332+74.0 R	6	709.13	705.00	692.37	15.2	3
412 STA. 344+54.0 R	6	718.50	716.00	713.50	9.0	3
255 STA. 361+01.0 R	6	706.02	704.00	695.43	21.5	3
121 STA. 378+80.0 R	4	679.83	677.50	675.25	17.5	3



RESTRICTOR TYPE					
1	2	3	4	5	6
RE-ENTRANT TUBE	SHARP EDGED	SQUARE EDGED	RE-ENTRANT TUBE	SQUARE EDGED	ROUNDED
LENGTH: 1/2 TO 1 DIA.		STREAM CLEARS SIDES	LENGTH: 2-1/2 DIA.	LENGTH: 2-1/2 DIA.	
C=.52	C=.61	C=.61	C=.73	C=.82	C=.98

VALUES OF "C" FOR CIRCULAR AND SQUARE ORIFICES

STATE OF ILLINOIS
DEPARTMENT OF TRANSPORTATION

MANHOLE WITH
RESTRICTOR PLATE

F.A.P. RTE.	SECTION	COUNTY	TOTAL SHEETS	SHEET NO.
330	103R-5	COOK	778	482
BD600-04 (BD-12)		CONTRACT NO. 60M62		
FED. ROAD DIST. NO. 1 ILLINOIS FED. AID PROJECT				

FILE NAME = W:\dststd\22x34\bd12.dgn

USER NAME = gaglanobt
PLOT SCALE = 50,000 ' / IN.
PLOT DATE = 1/4/2008

DESIGNED - R. SHAH
DRAWN -
CHECKED -
DATE - 09-09-94

REVISED - R. SHAH 10-25-94
REVISED - E. GOMEZ 08-28-00
REVISED - M. GOMEZ 01-08-01
REVISED -

SCALE: NONE SHEET NO. 1 OF 1 SHEETS STA. TO STA.

ALL DIMENSIONS ARE IN INCHES (MILLIMETERS) UNLESS OTHERWISE SHOWN.